



Chipsmall Limited consists of a professional team with an average of over 10 year of expertise in the distribution of electronic components. Based in Hongkong, we have already established firm and mutual-benefit business relationships with customers from,Europe,America and south Asia,supplying obsolete and hard-to-find components to meet their specific needs.

With the principle of “Quality Parts,Customers Priority,Honest Operation,and Considerate Service”,our business mainly focus on the distribution of electronic components. Line cards we deal with include Microchip,ALPS,ROHM,Xilinx,Pulse,ON,Everlight and Freescale. Main products comprise IC,Modules,Potentiometer,IC Socket,Relay,Connector.Our parts cover such applications as commercial,industrial, and automotives areas.

We are looking forward to setting up business relationship with you and hope to provide you with the best service and solution. Let us make a better world for our industry!



Contact us

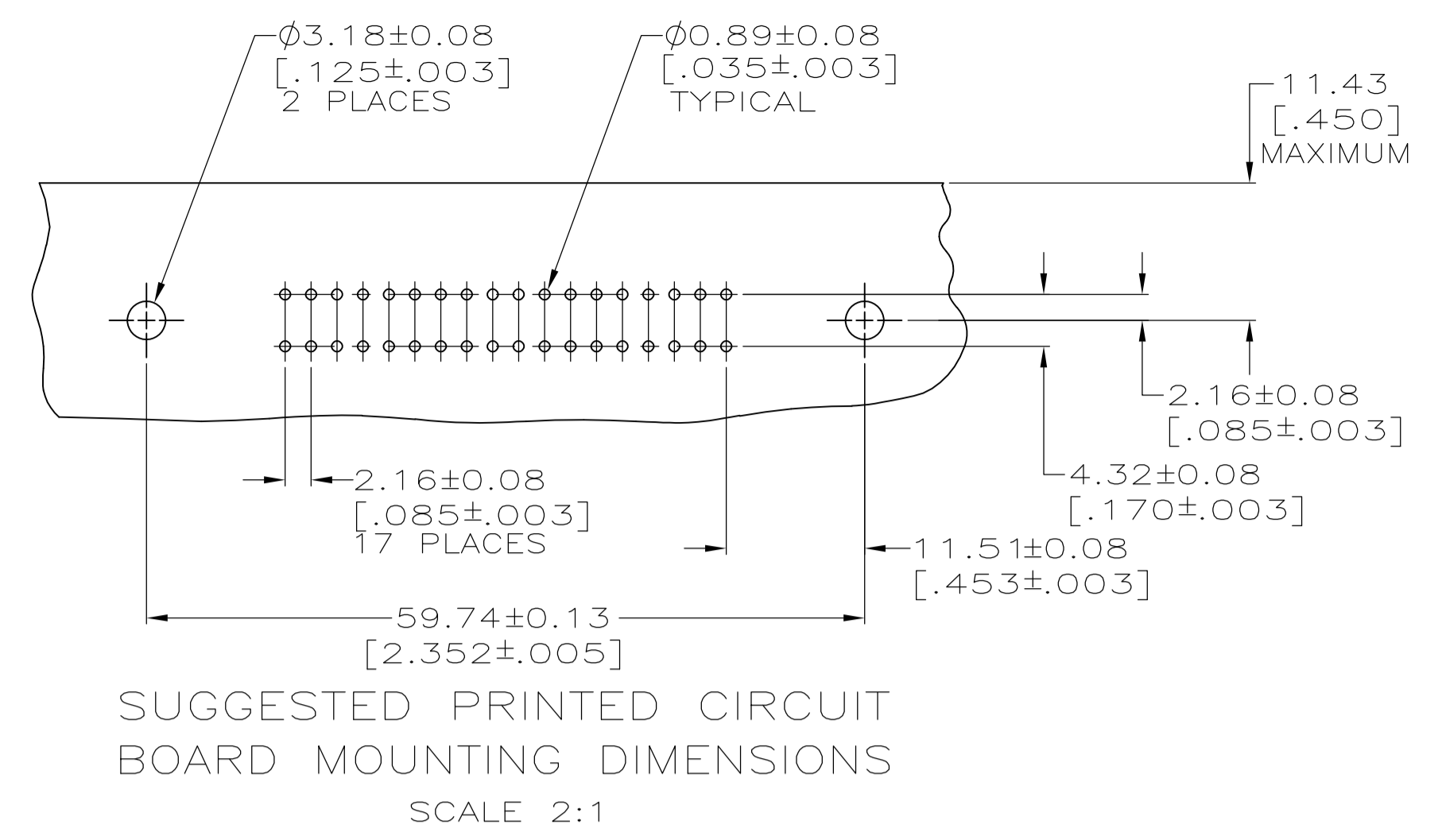
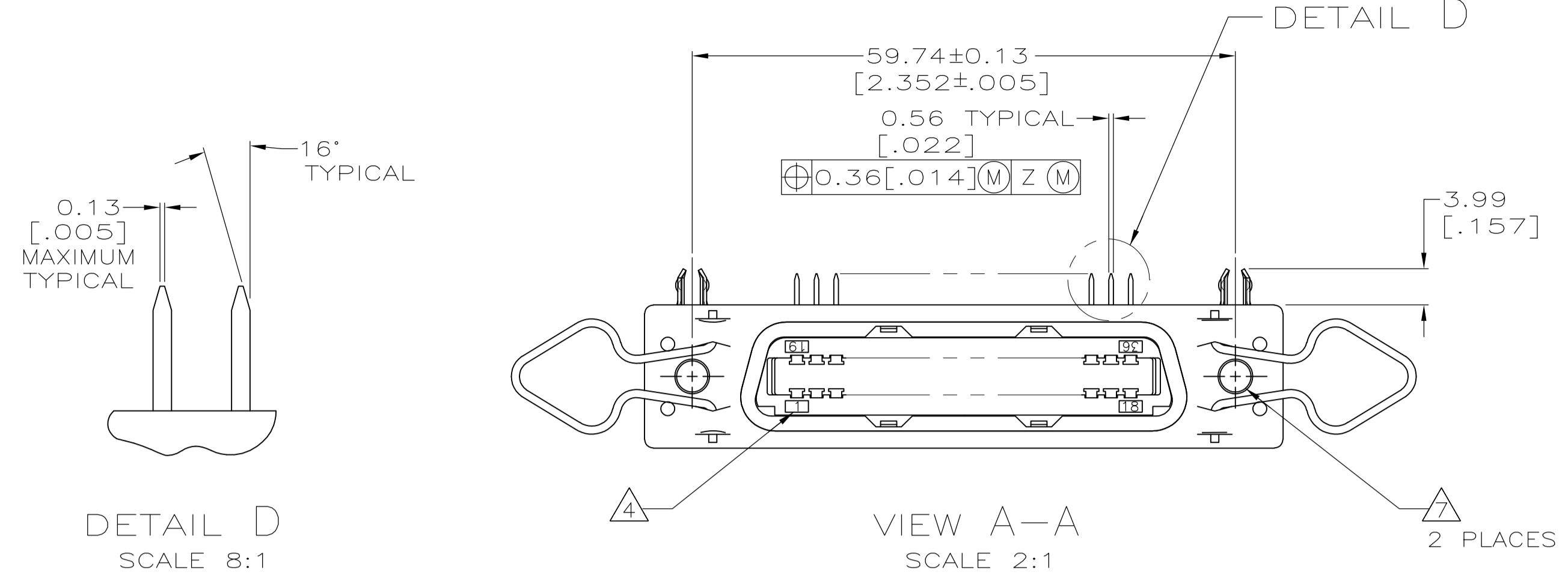
Tel: +86-755-8981 8866 Fax: +86-755-8427 6832

Email & Skype: info@chipsmall.com Web: www.chipsmall.com

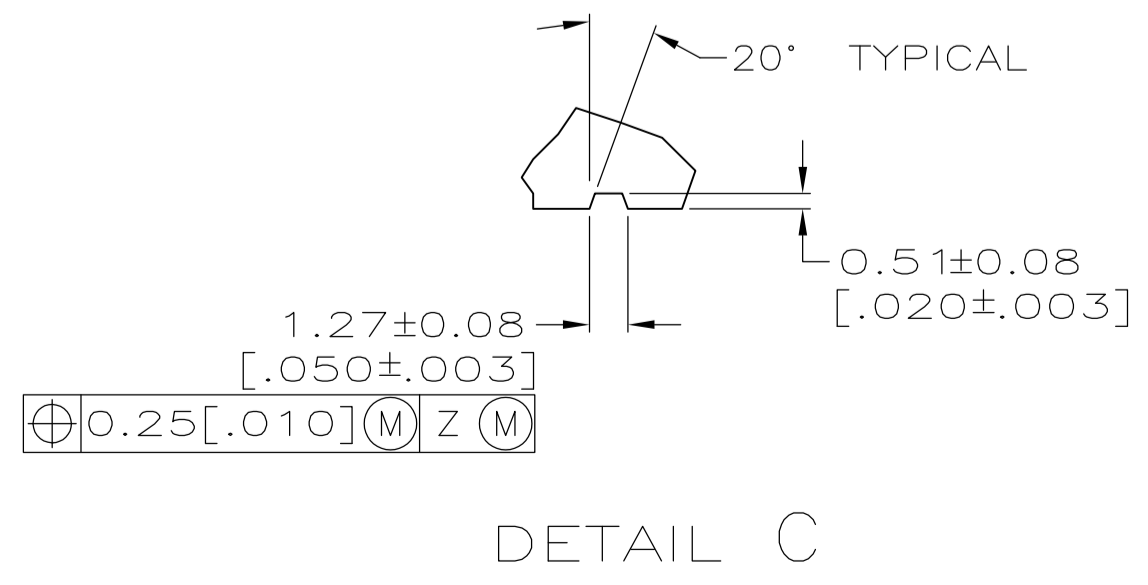
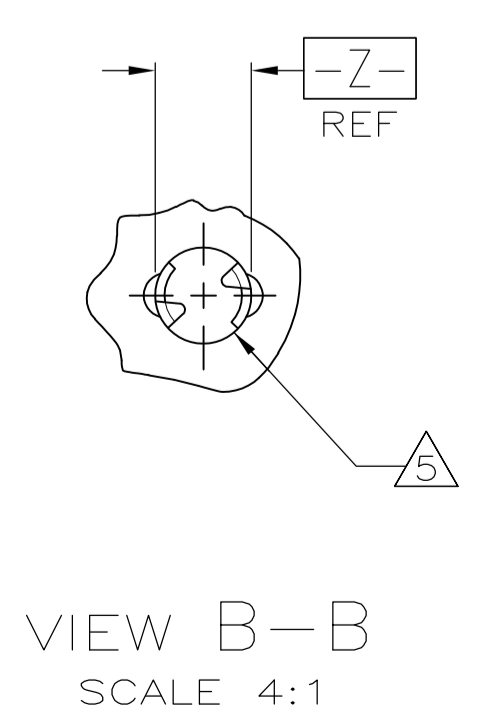
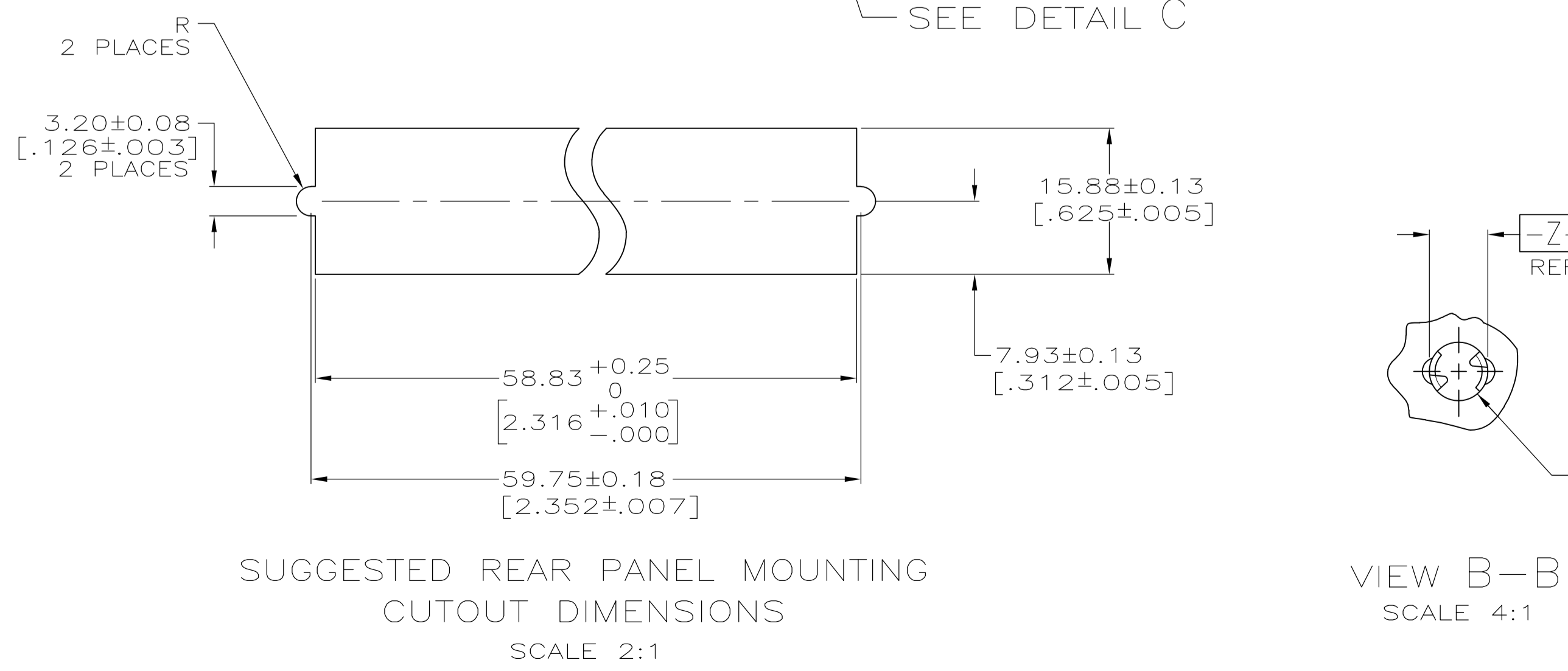
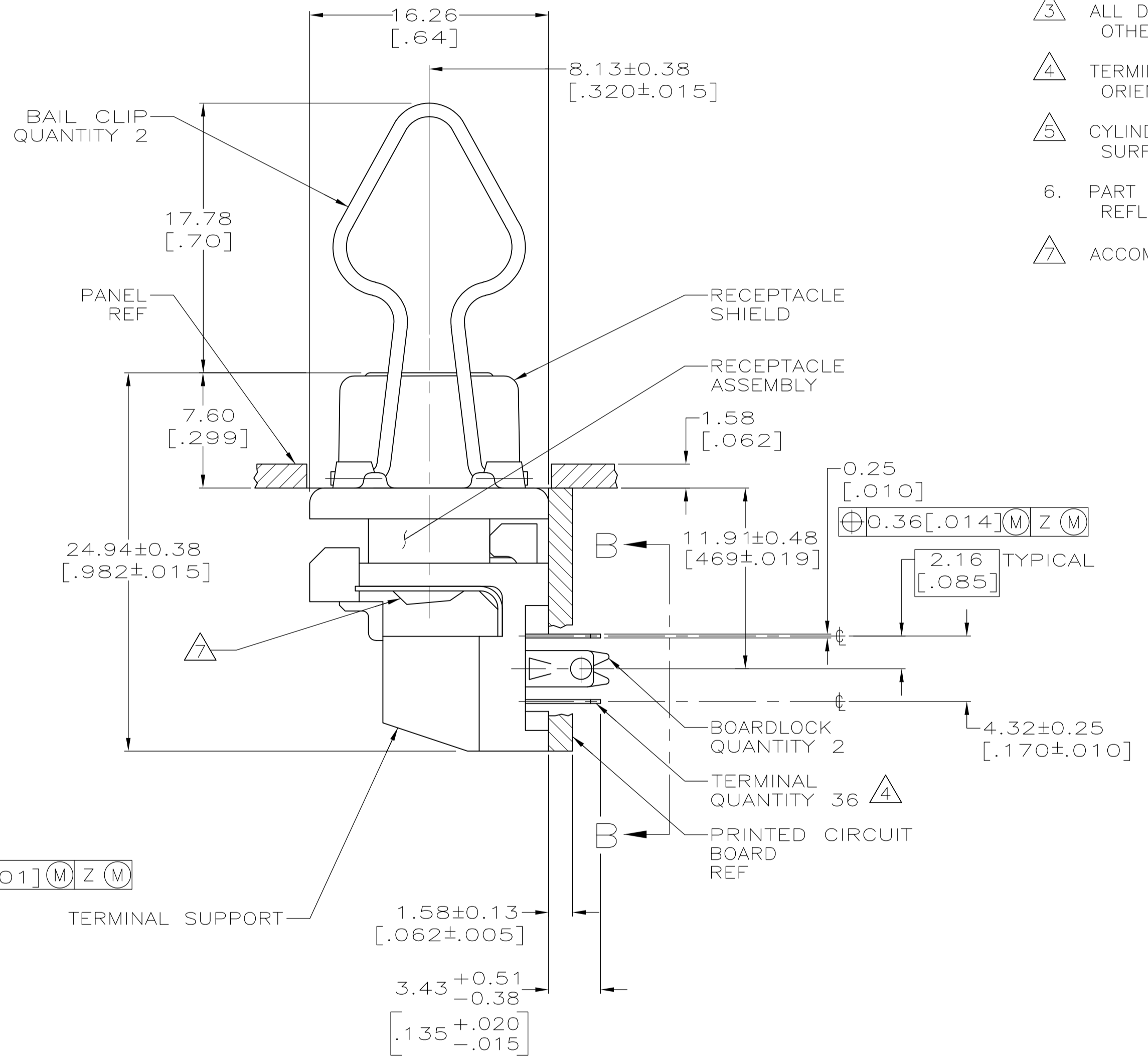
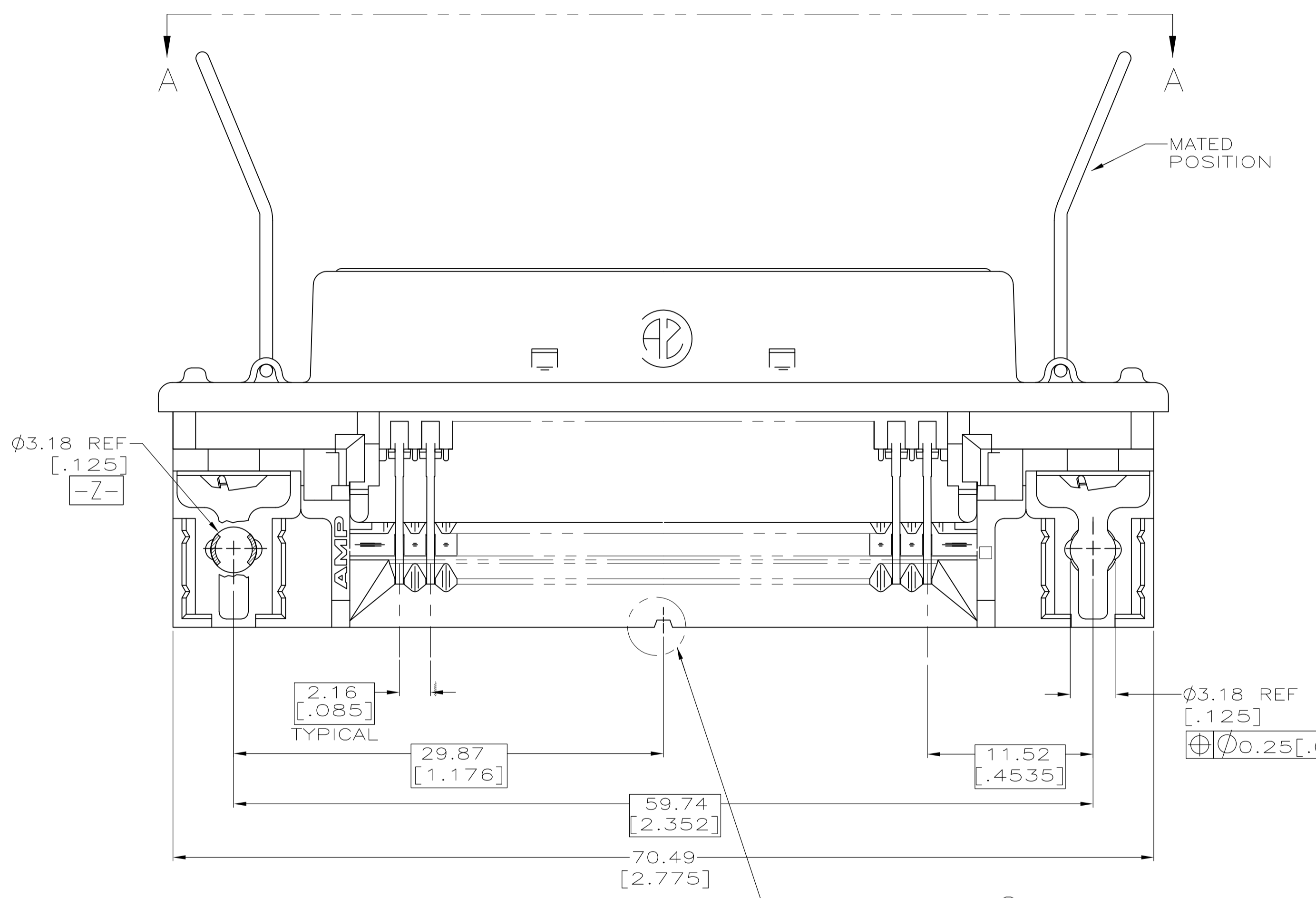
Address: A1208, Overseas Decoration Building, #122 Zhenhua RD., Futian, Shenzhen, China



LOC		DIST		REVISIONS			
GP	00	F	LTR	DESCRIPTION	DATE	DM	APVD
		B		REVISED PER ECO-08-007327	09APR08	BM	WM



- 1 MATERIAL:
TERMINAL SUPPORT - 94 V-O HTN, BLACK, OR EQUIVALENT.
HOUSING - 94 V-O HTN, BLACK, OR EQUIVALENT.
BAIL CLIPS - PASSIVATED STAINLESS STEEL.
RECEPTACLE SHIELD - BRIGHT NICKEL OVER CARBON STEEL.
TERMINALS - HIGH STRENGTH COPPER ALLOY PLATED WITH EITHER 0.76µm [.000030] MIN GOLD PLATE OR GOLD FLASH OVER PALLADIUM NICKEL PLATE, 0.76µm [.000030] MIN TOTAL ON MATING SURFACE. 3.05µm [.000120] MIN TIN PLATE ON TAILS. ALL OVER 1.27µm [.000050] MIN NICKEL UNDERPLATE OVER ENTIRE TERMINAL.
BOARDLOCK - TIN PLATED CARBON STEEL.
2. THE CONTACT SURFACES OF THE TERMINALS ARE COATED WITH LUBRICANT.
- 3 ALL DIMENSIONS SHOWN ARE MAXIMUM UNLESS OTHERWISE SPECIFIED.
- 4 TERMINAL 1 LOCATED IN THIS ROW FOR STANDARD ORIENTATION.
- 5 CYLINDRICAL SHAPE OFFERS 180° OF SOLDERING SURFACE.
6. PART WILL WITHSTAND INFRARED AND VAPOR PHASE REFLOW TEMPERATURE FOR 90 SECONDS.
- 7 ACCOMMODATES #4-40 UNC-2A THREAD.



5555520-2
PART NUMBER

THIS DRAWING IS A CONTROLLED DOCUMENT.		DIN B MCMASTER 26AUG05	Tyco Electronics Corporation Harrisburg, PA 17105-3608	
DIMENSIONS: mm [INCHES]		CHK W MILLHIMES 26AUG05	NAME RCPT ASSY, SHIELDED, 36 POSN, RIGHT ANGLE, WITH THREADED BOARDLOCK, CHAMP®	
TOLERANCES UNLESS OTHERWISE SPECIFIED:		APVD W MILLHIMES 26AUG05	APPLICATION SPEC	
0 PLC ± ± 3	1 PLC ± ± 3	SIZE CASE CODE DRAWING NO RESTRICTED TO		
2 PLC ± ± 3	3 PLC ± ± 3	A1 00779 C=5555520		
4 PLC ± ± 3	ANGLES ± ± 3	WEIGHT		
MATERIAL 1		FINISH 1		CUSTOMER DRAWING SCALE 4:1 SHEET 1 OF 1 REV B