



Chipsmall Limited consists of a professional team with an average of over 10 year of expertise in the distribution of electronic components. Based in Hongkong, we have already established firm and mutual-benefit business relationships with customers from,Europe,America and south Asia,supplying obsolete and hard-to-find components to meet their specific needs.

With the principle of “Quality Parts,Customers Priority,Honest Operation,and Considerate Service”,our business mainly focus on the distribution of electronic components. Line cards we deal with include Microchip,ALPS,ROHM,Xilinx,Pulse,ON,Everlight and Freescale. Main products comprise IC,Modules,Potentiometer,IC Socket,Relay,Connector.Our parts cover such applications as commercial,industrial, and automotives areas.

We are looking forward to setting up business relationship with you and hope to provide you with the best service and solution. Let us make a better world for our industry!



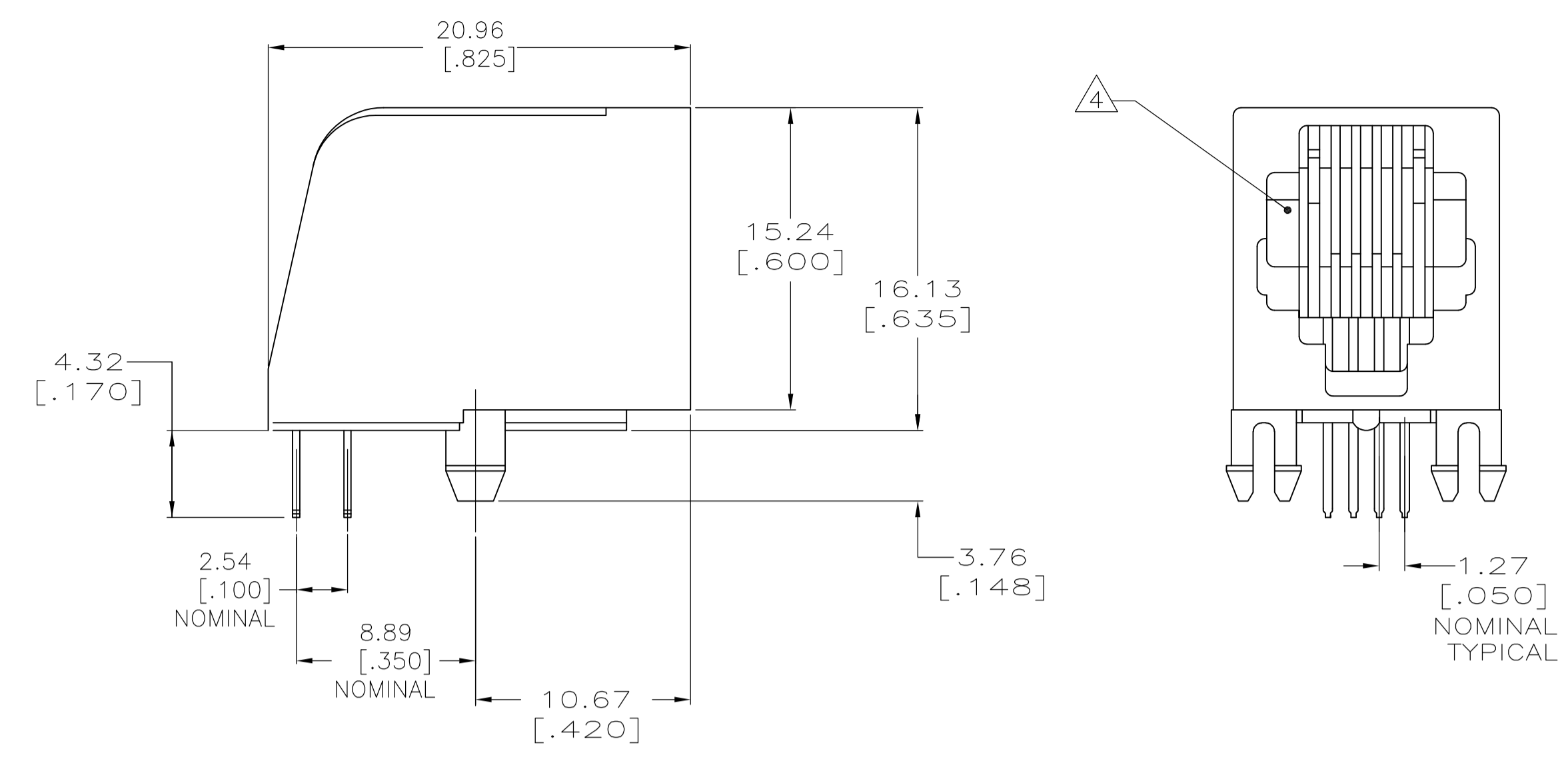
Contact us

Tel: +86-755-8981 8866 Fax: +86-755-8427 6832

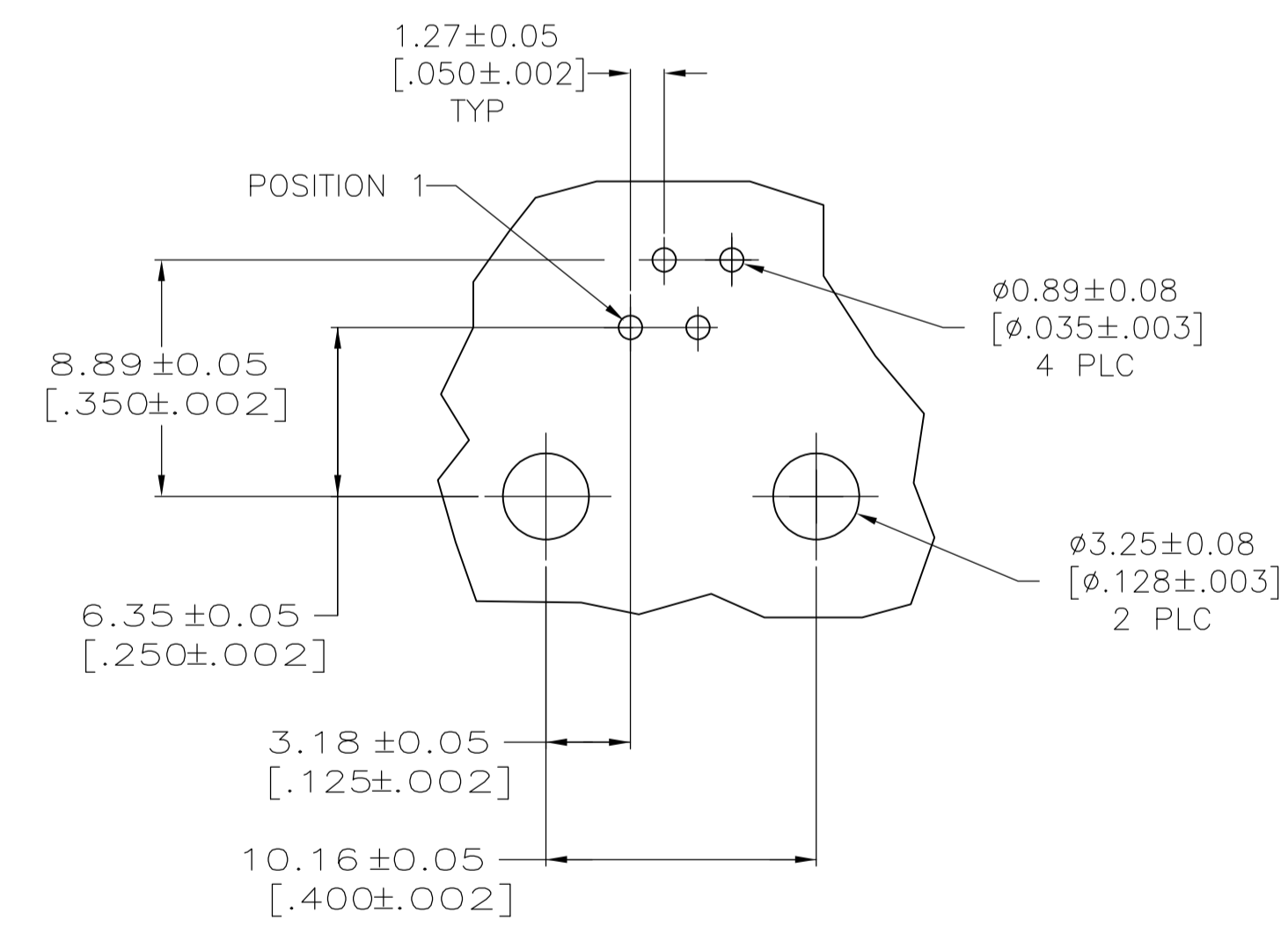
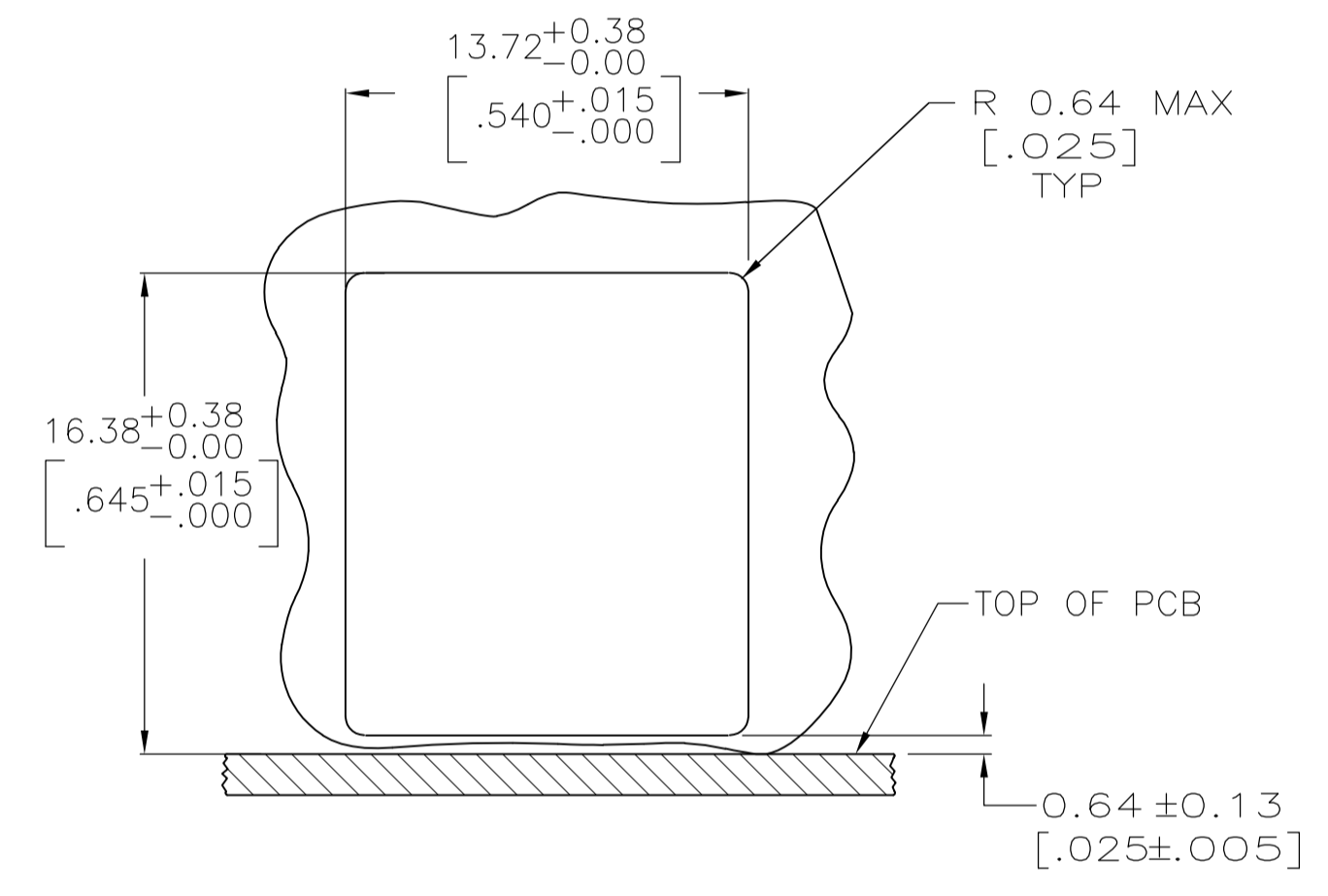
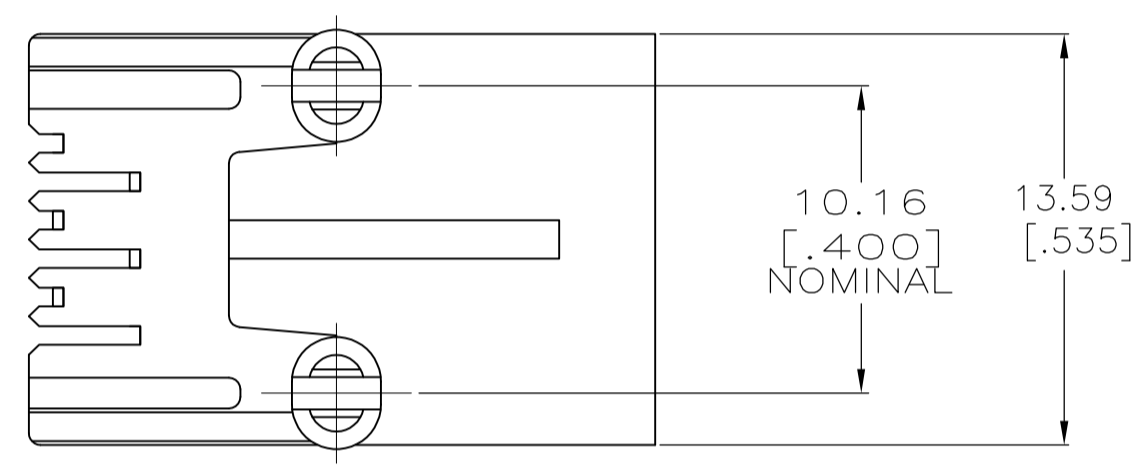
Email & Skype: info@chipsmall.com Web: www.chipsmall.com

Address: A1208, Overseas Decoration Building, #122 Zhenhua RD., Futian, Shenzhen, China





- MATERIAL: HOUSING - PBT POLYESTER, COLOR: BLACK
TERMINALS - 0.36[014] THICK PHOS-BRONZE
PLATED WITH 1.27 μ m[.000050] MINIMUM THICK
HARD GOLD IN LOCALIZED GOLD PLATE AREA
AND 3.81 μ m[.000150] MINIMUM THICK MATTE TIN
IN SOLDER AREA OVER 1.27 μ m[.000050] MINIMUM
THICK NICKEL UNDERPLATE.
 - ALL DIMENSIONS SHOWN ARE MAXIMUM
UNLESS OTHERWISE SPECIFIED.
 - TERMINALS LOCATED IN CENTER POSITIONS.
- ⚠ CAVITY CONFORMS TO FCC RULES AND
REGULATIONS PART 68 AND REA BULLETIN
345-81 PE-76 SPECIFICATION FOR MODULAR
TELEPHONE HARDWARE.
- ⚠ BULK PACKAGED IN A TRAY.



PRINTED CIRCUIT BOARD LAYOUT
COMPONENT SIDE SHOWN

⚠	5555979-1
PACKAGED	PART NUMBER

THIS DRAWING IS A CONTROLLED DOCUMENT.		DIN G. ATTADIA - 08/JUN/2005	TE Connectivity	
DIMENSIONS: mm [INCHES]		CHK J. WESTMAN - 08/JUN/2005	NAME	
TOLERANCES UNLESS OTHERWISE SPECIFIED:		APVD S. FLICKINGER - 08/JUN/2005	MODULAR JACK ASSEMBLY, SIDE ENTRY, 6 POSITION/4 CONTACTS, FLANGELESS WITHOUT PANEL STOPS	
0 PLC ± -	1 PLC ± -	PRODUCT SPEC	108-1163	
2 PLC ± 0.13[.005]	3 PLC ± -	APPLICATION SPEC	114-2048	
4 PLC ± -	ANGLES ± -	SIZE	CAGE CODE	DRAWING NO
MATERIAL SEE NOTE 1	FINISH SEE NOTE 1	WEIGHT	A1	00779
CUSTOMER DRAWING		SCALE	4:1	SHEET 1 OF 1
		REV	B1	