



Chipsmall Limited consists of a professional team with an average of over 10 year of expertise in the distribution of electronic components. Based in Hongkong, we have already established firm and mutual-benefit business relationships with customers from,Europe,America and south Asia,supplying obsolete and hard-to-find components to meet their specific needs.

With the principle of “Quality Parts,Customers Priority,Honest Operation,and Considerate Service”,our business mainly focus on the distribution of electronic components. Line cards we deal with include Microchip,ALPS,ROHM,Xilinx,Pulse,ON,Everlight and Freescale. Main products comprise IC,Modules,Potentiometer,IC Socket,Relay,Connector.Our parts cover such applications as commercial,industrial, and automotives areas.

We are looking forward to setting up business relationship with you and hope to provide you with the best service and solution. Let us make a better world for our industry!



Contact us

Tel: +86-755-8981 8866 Fax: +86-755-8427 6832

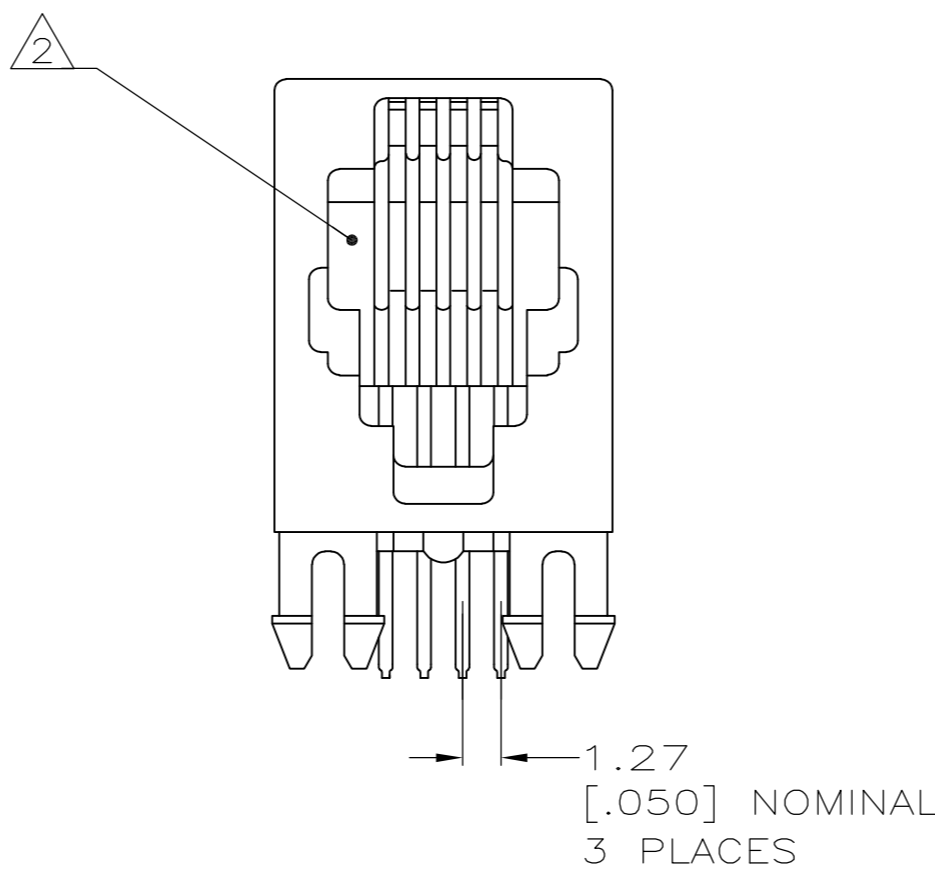
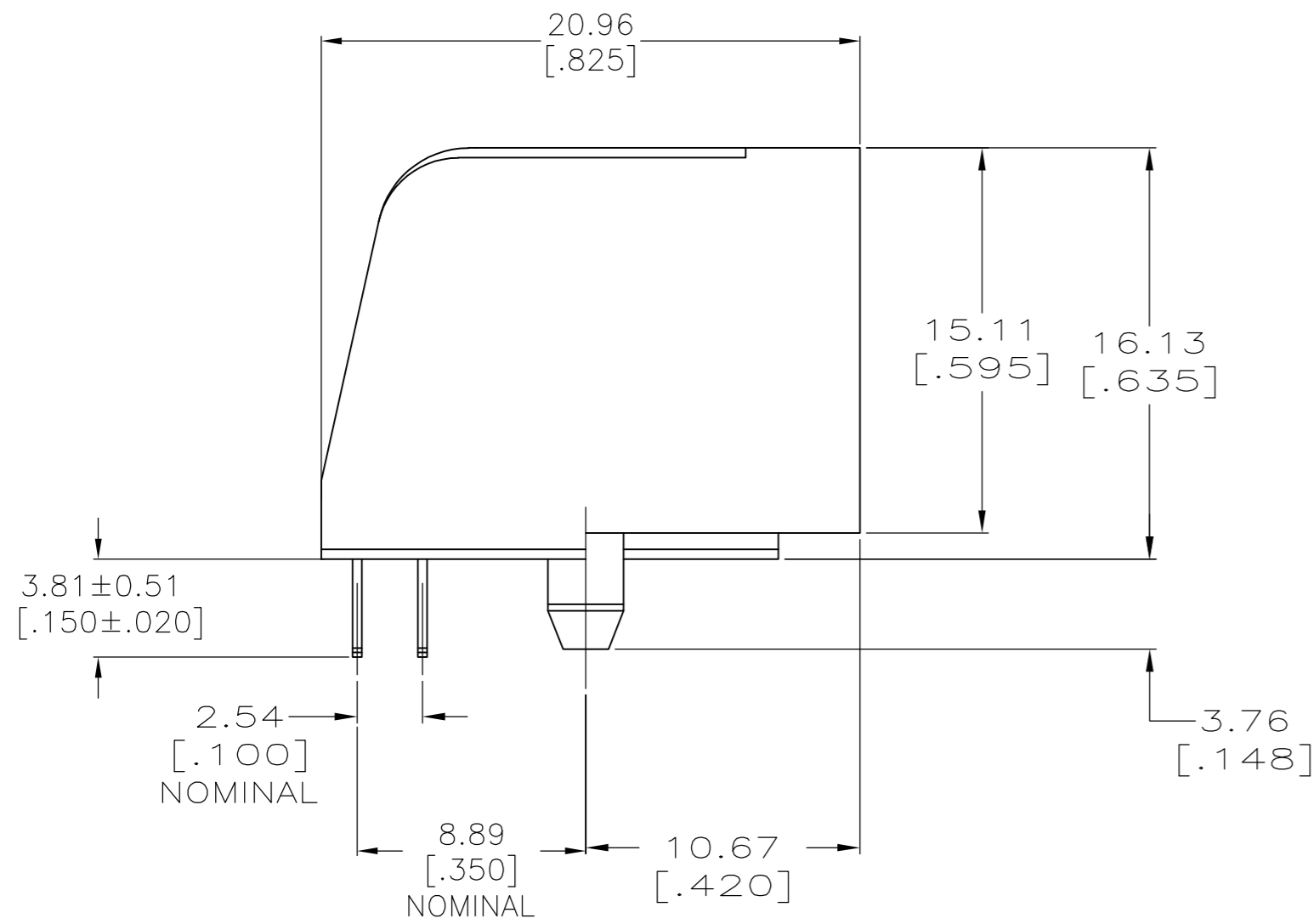
Email & Skype: info@chipsmall.com Web: www.chipsmall.com

Address: A1208, Overseas Decoration Building, #122 Zhenhua RD., Futian, Shenzhen, China

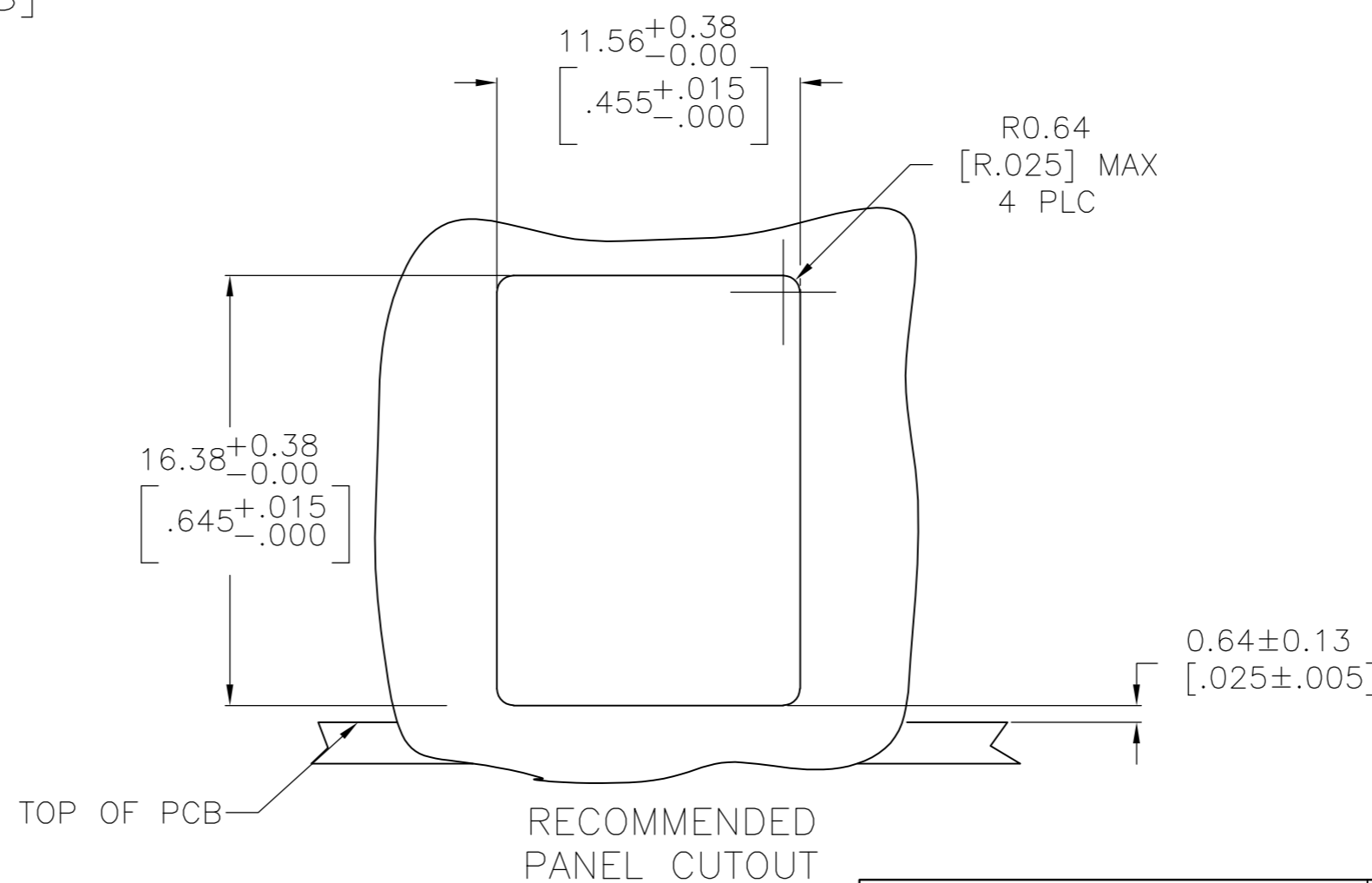
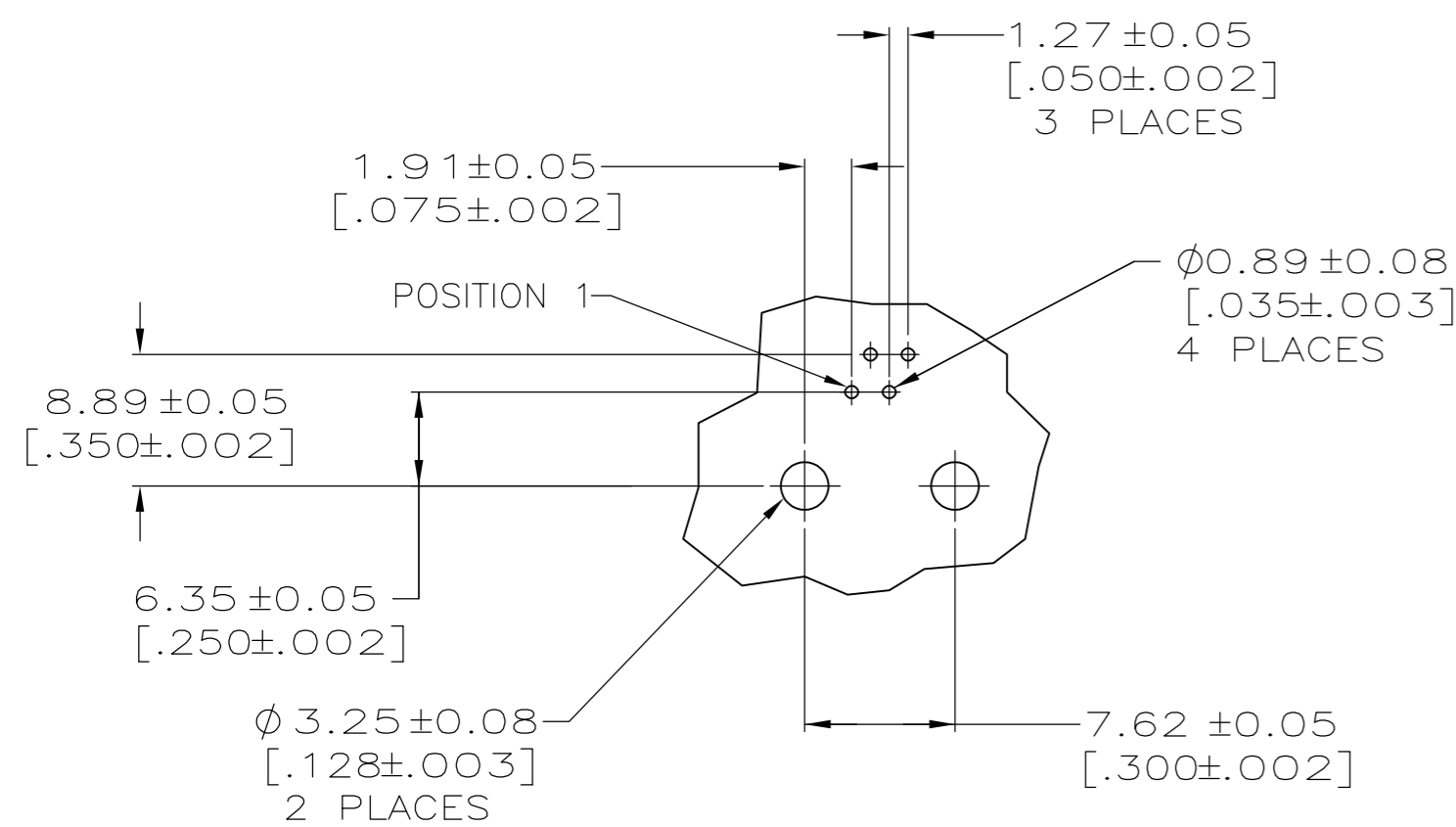
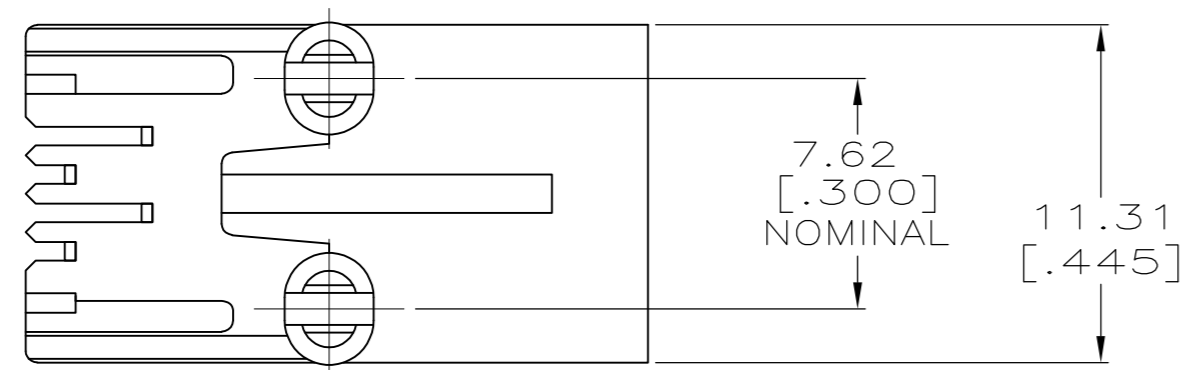


THIS DRAWING IS UNPUBLISHED. RELEASED FOR PUBLICATION
 © COPYRIGHT - By - ALL RIGHTS RESERVED.

LOC		DIST		REVISIONS			
P	LTR	DESCRIPTION		DATE	DWN	APVD	
GP	00	C2		REVISED PER ECO-12-014371	12NOV2012	CJV	PAR



- MATERIAL:
HOUSING - PBT POLYESTER, COLOR: BLACK
TERMINAL - 0.36[.014] THICK PHOS BRONZE PLATED WITH (SEE TABLE) MIN HARD GOLD IN LOCALIZED GOLD PLATE AREA AND 3.81µm[.000150] MIN THICK MATTE TIN IN SOLDER AREA OVER 1.27µm[.000050] MIN THICK NICKEL UNDERPLATE
- CAVITY CONFORMS TO FCC RULES AND REGULATIONS PART 68 AND REA BULLETIN 345-81, PE-76 SPECIFICATION FOR MODULAR TELEPHONE HARDWARE.
- DIMENSIONS ARE MAXIMUM UNLESS OTHERWISE SPECIFIED.
- 0.15µm[.000006] GOLD PLATED PARTS DO NOT MEET THE MINIMUM GOLD THICKNESS REQUIREMENT OF FCC SPECIFICATION, PART 68. PARTS HAVE NOT BEEN TESTED TO THE DURABILITY REQUIREMENTS OF TE CONNECTIVITY PRODUCT SPEC 108-1163



RECOMMENDED PRINTED CIRCUIT BOARD LAYOUT
 COMPONENT SIDE SHOWN
 SCALE 2:1

4	OBsolete	0.15µm[.000006]	2-5555980-2
		1.27µm[.000050]	5555980-1
		GOLD THICKNESS	PART NUMBER

THIS DRAWING IS A CONTROLLED DOCUMENT. DIMENSIONING AND TOLERANCING PER ASME Y14.5M-2009		DWN G. ATTADIA - DOCK5 09JUN2005	TE Connectivity	
DIMENSIONS: mm [INCHES]		CHK J. WESTMAN 09JUN2005	NAME	
TOLERANCES UNLESS OTHERWISE SPECIFIED:		APVD S. FLICKINGER 09JUN2005	PRODUCT SPEC	
0 PLC ± -		APPLICATION SPEC		108-1163
1 PLC ± -		114-2048		SIZE A2
2 PLC ± -		WEIGHT -		CAGE CODE 00779
3 PLC ± 0.13[.005]		CUSTOMER DRAWING		DRAWING NO C=5555980
4 PLC ± -		SCALE 1:1		SHEET 1 OF 1
ANGLES ± -		REV C2		
FINISH				
SEE NOTE 1				