



Chipsmall Limited consists of a professional team with an average of over 10 year of expertise in the distribution of electronic components. Based in Hongkong, we have already established firm and mutual-benefit business relationships with customers from,Europe,America and south Asia,supplying obsolete and hard-to-find components to meet their specific needs.

With the principle of “Quality Parts,Customers Priority,Honest Operation,and Considerate Service”,our business mainly focus on the distribution of electronic components. Line cards we deal with include Microchip,ALPS,ROHM,Xilinx,Pulse,ON,Everlight and Freescale. Main products comprise IC,Modules,Potentiometer,IC Socket,Relay,Connector.Our parts cover such applications as commercial,industrial, and automotives areas.

We are looking forward to setting up business relationship with you and hope to provide you with the best service and solution. Let us make a better world for our industry!



Contact us

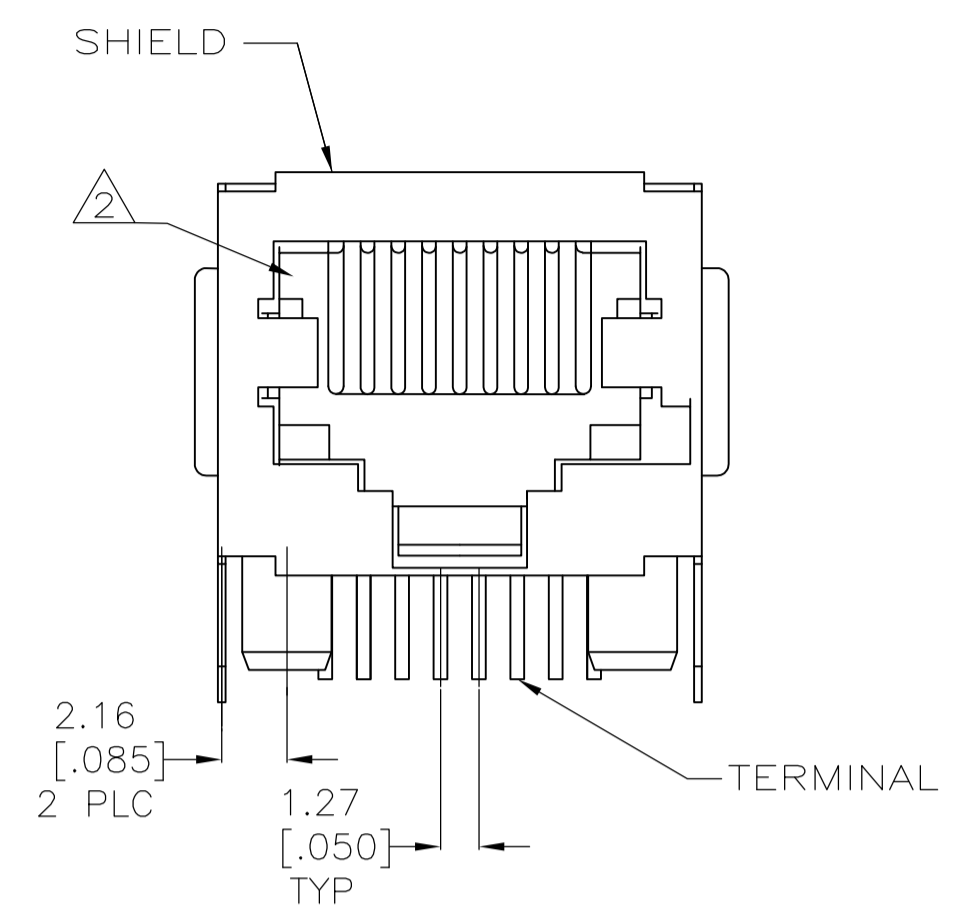
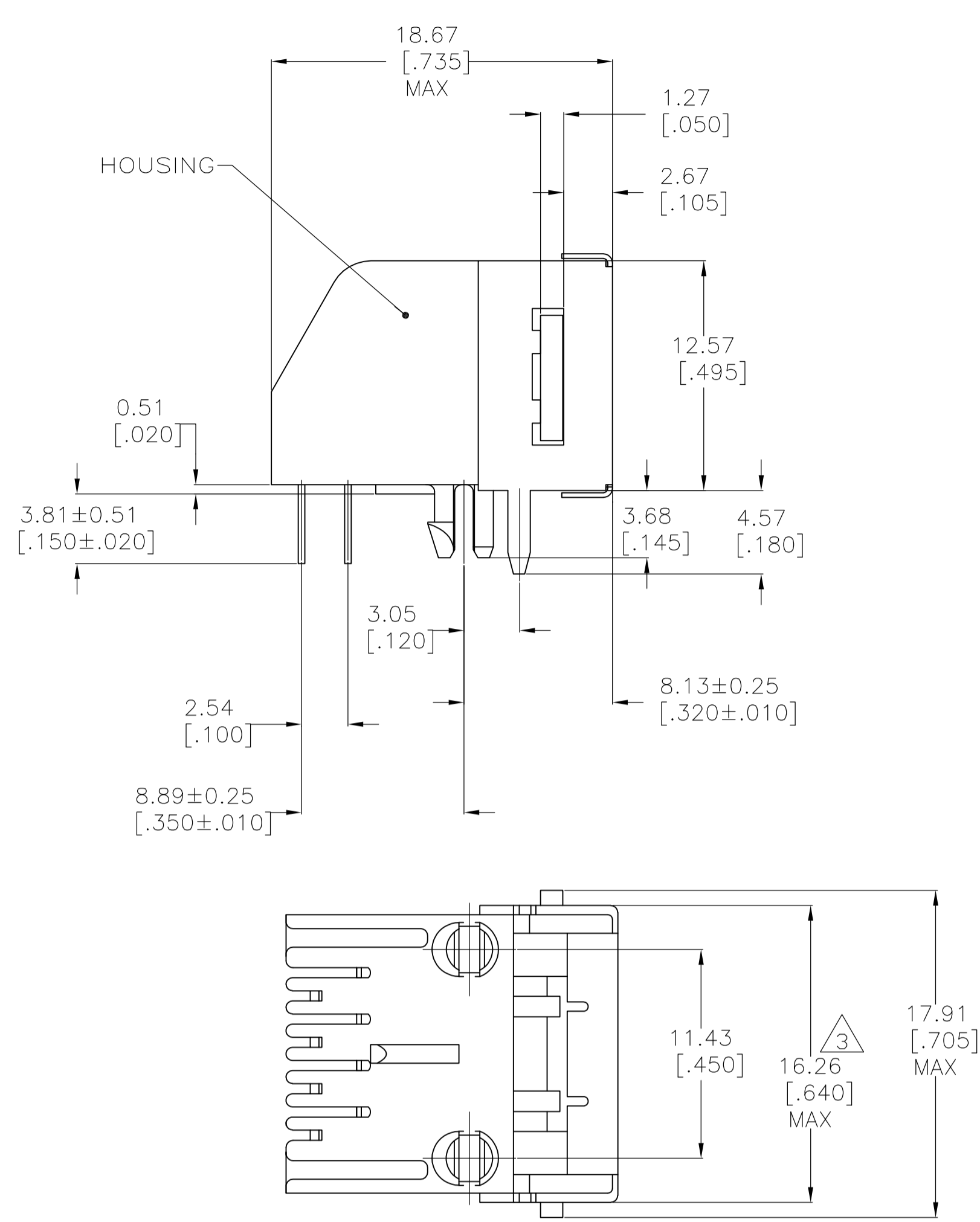
Tel: +86-755-8981 8866 Fax: +86-755-8427 6832

Email & Skype: info@chipsmall.com Web: www.chipsmall.com

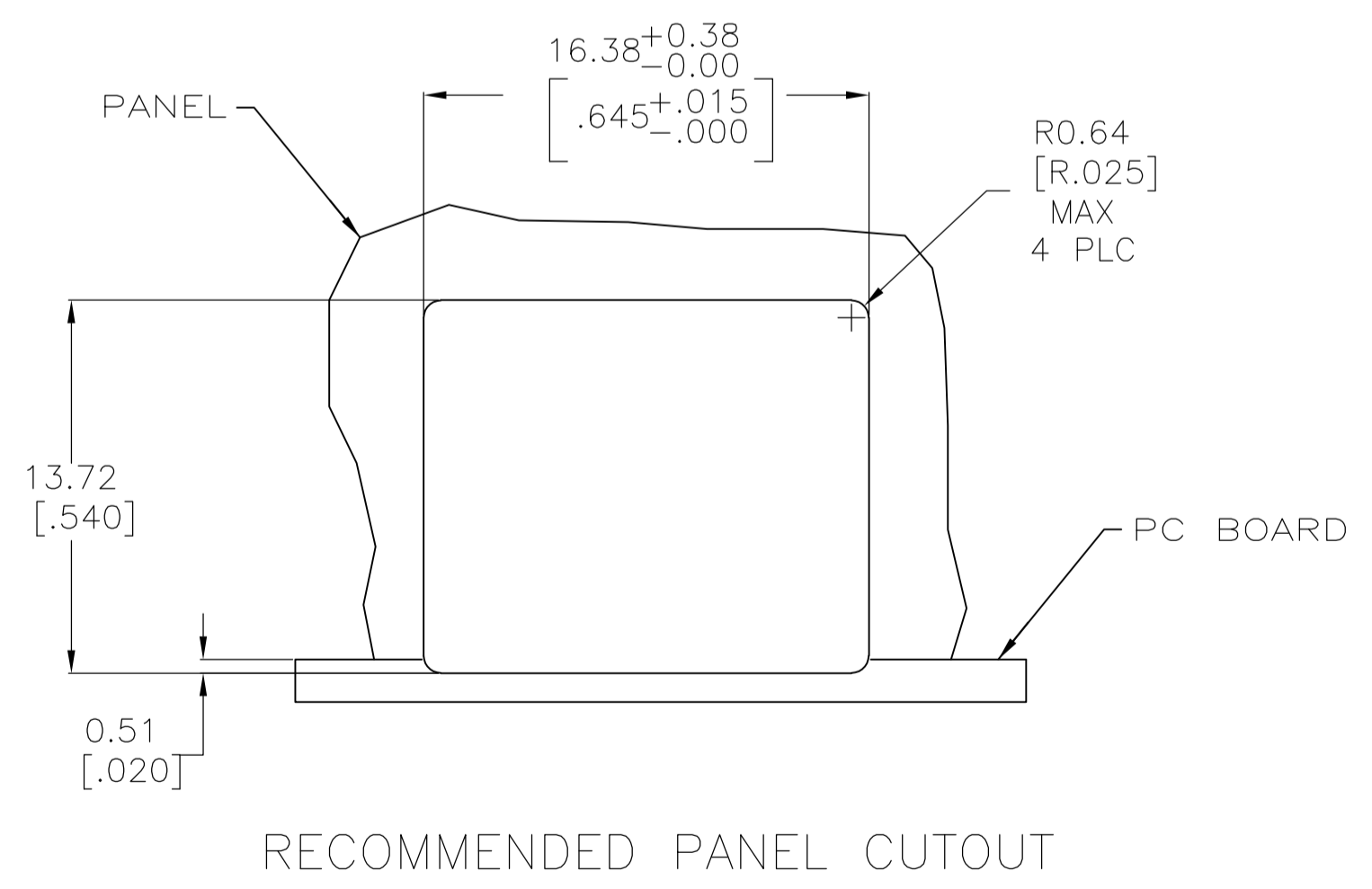
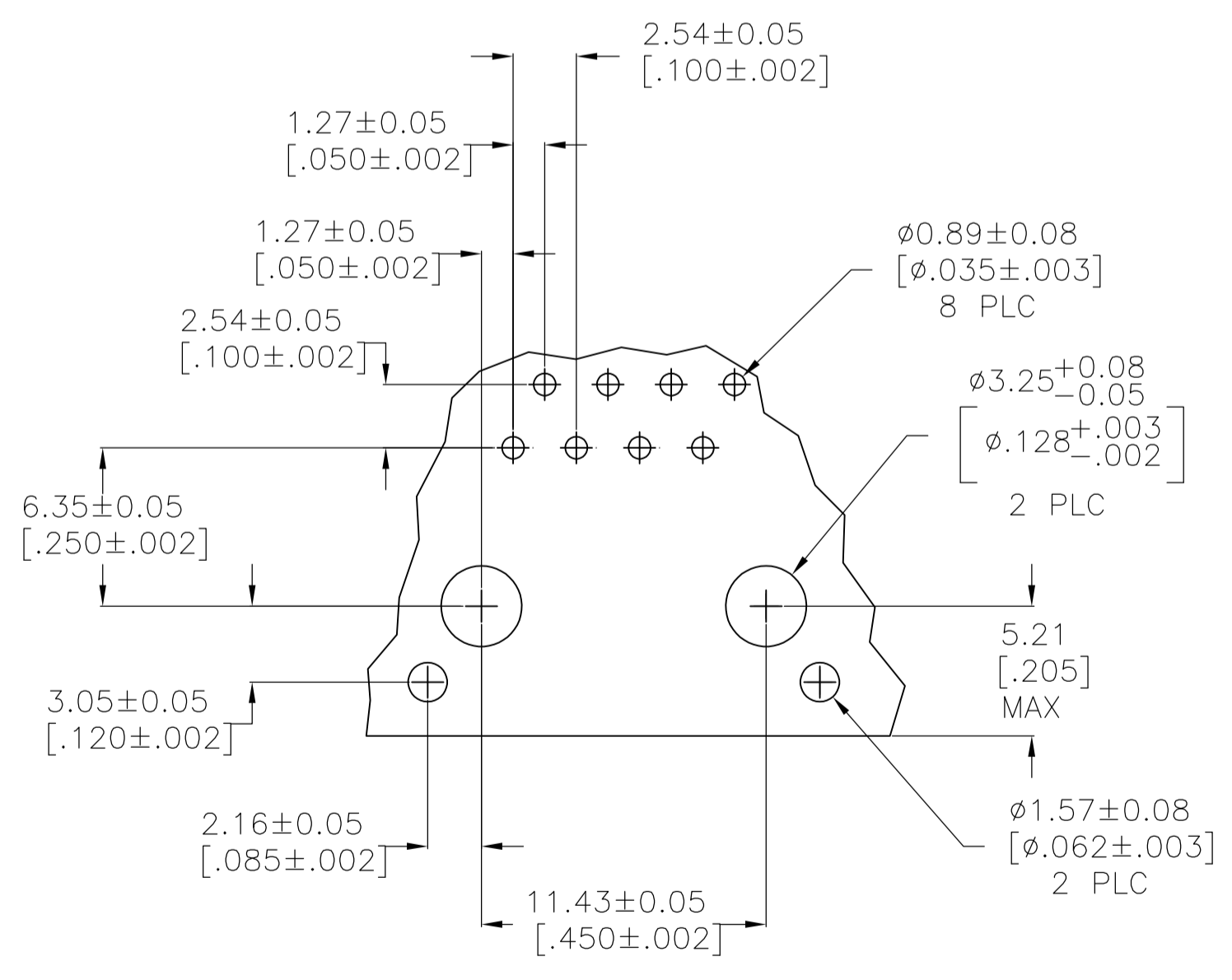
Address: A1208, Overseas Decoration Building, #122 Zhenhua RD., Futian, Shenzhen, China



LOC		DIST		REVISIONS			
P	LTR	DESCRIPTION	DATE	DN	APVD		
C1		REVISED PER ECO-11-005033	24MAR11	RK	HMR		



1. MATERIAL:
 HOUSING - PBT POLYESTER, COLOR: BLACK
 TERMINAL - 0.36 [0.014] THICK PHOS BRONZE PLATED WITH 1.27 μm [0.00050] THICK HARD GOLD IN LOCALIZED GOLD PLATE AREA AND 3.81 μm [0.00150] THICK MATTE TIN IN SOLDER AREA OVER 1.27 μm [0.00050] THICK NICKEL UNDERPLATE
 SHIELD - 0.25 [0.010] THICK COPPER ALLOY PLATED WITH 3.0 μm [0.00120] MINIMUM THICK REFLOWED TIN
2. CAVITY CONFORMS TO FCC RULES AND REGULATIONS PART 68, SUBPART F.
3. DIMENSIONS MEASURED ALONG FRONT EDGES OF MATING FACE



RECOMMENDED PRINTED CIRCUIT BOARD LAYOUT (COMPONENT SIDE)

RECOMMENDED PANEL CUTOUT

5556591-1
 PART NUMBER

THIS DRAWING IS A CONTROLLED DOCUMENT.		DIN G.A./L.A.MAYER 07NOV2007		STE TE Connectivity	
DIMENSIONS: mm [INCHES]		CIRK P.RECCF 05NOV2007		NAME S.FLICKINGER 05NOV2007	
TOLERANCES UNLESS OTHERWISE SPECIFIED:		APVD S.FLICKINGER		PRODUCT SPEC 108-1163	
0 PLC ± -		APPLICATION SPEC 114-2048		SIZE CAGE CODE DRAWING NO RESTRICTED TO	
1 PLC ± -		WEIGHT -		A1 00779 C=5556591 -	
2 PLC ± ± 0.13 [0.005]		CUSTOMER DRAWING		SCALE 4:1 SHEET 1 OF 1 REV C1	
3 PLC ± -					
4 PLC ± -					
ANGLES ± -					
MATERIAL SEE NOTE 1		FINISH SEE NOTE 1			