



Chipsmall Limited consists of a professional team with an average of over 10 year of expertise in the distribution of electronic components. Based in Hongkong, we have already established firm and mutual-benefit business relationships with customers from,Europe,America and south Asia,supplying obsolete and hard-to-find components to meet their specific needs.

With the principle of “Quality Parts,Customers Priority,Honest Operation,and Considerate Service”,our business mainly focus on the distribution of electronic components. Line cards we deal with include Microchip,ALPS,ROHM,Xilinx,Pulse,ON,Everlight and Freescale. Main products comprise IC,Modules,Potentiometer,IC Socket,Relay,Connector.Our parts cover such applications as commercial,industrial, and automotives areas.

We are looking forward to setting up business relationship with you and hope to provide you with the best service and solution. Let us make a better world for our industry!



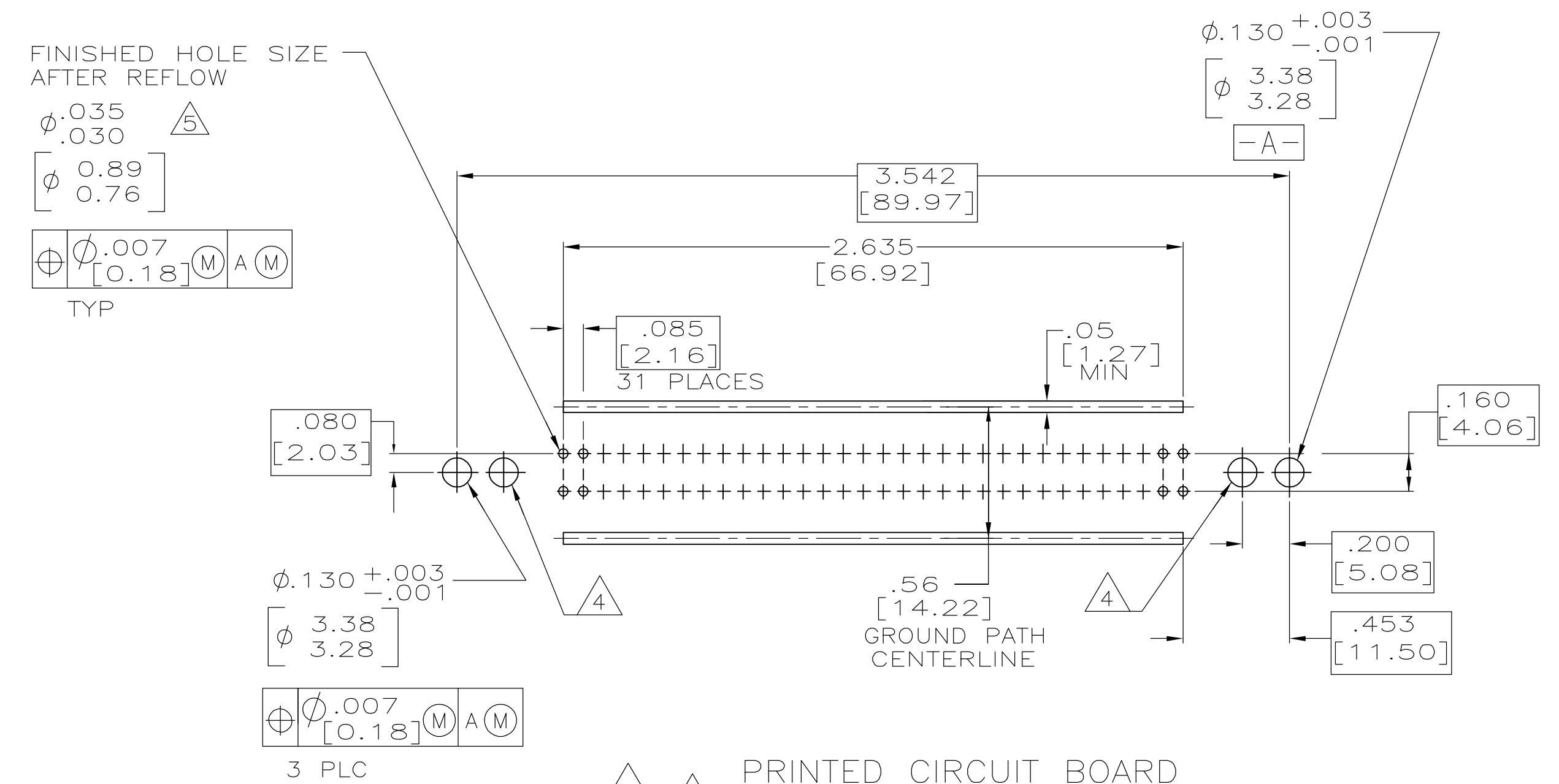
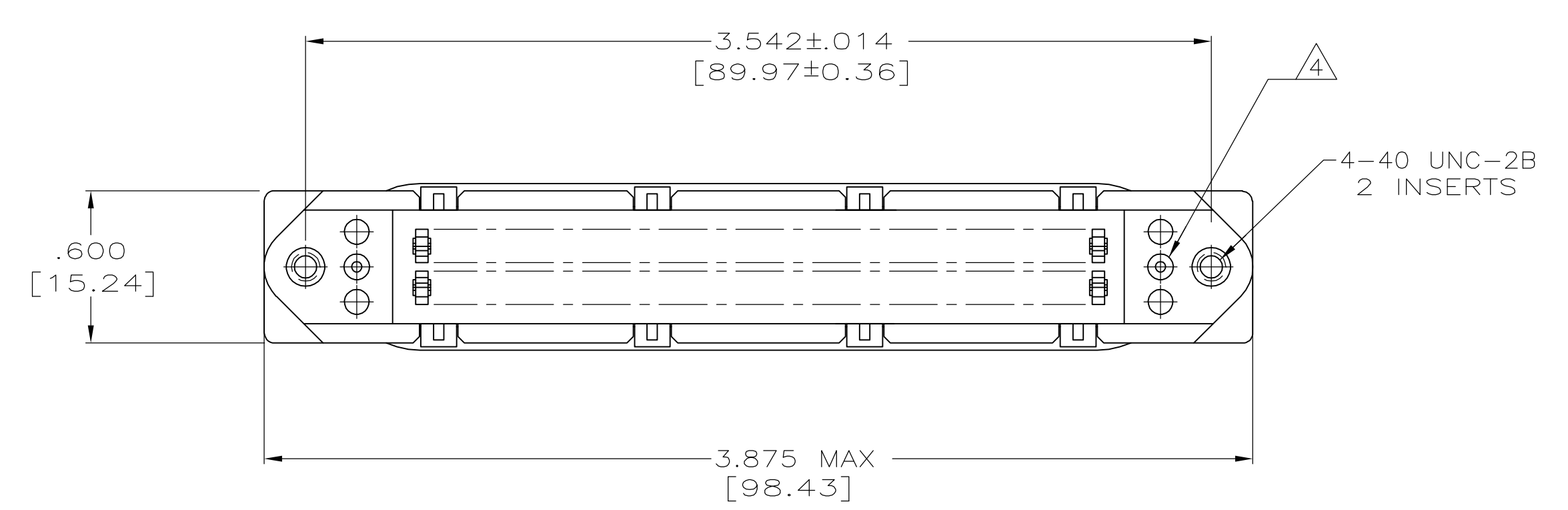
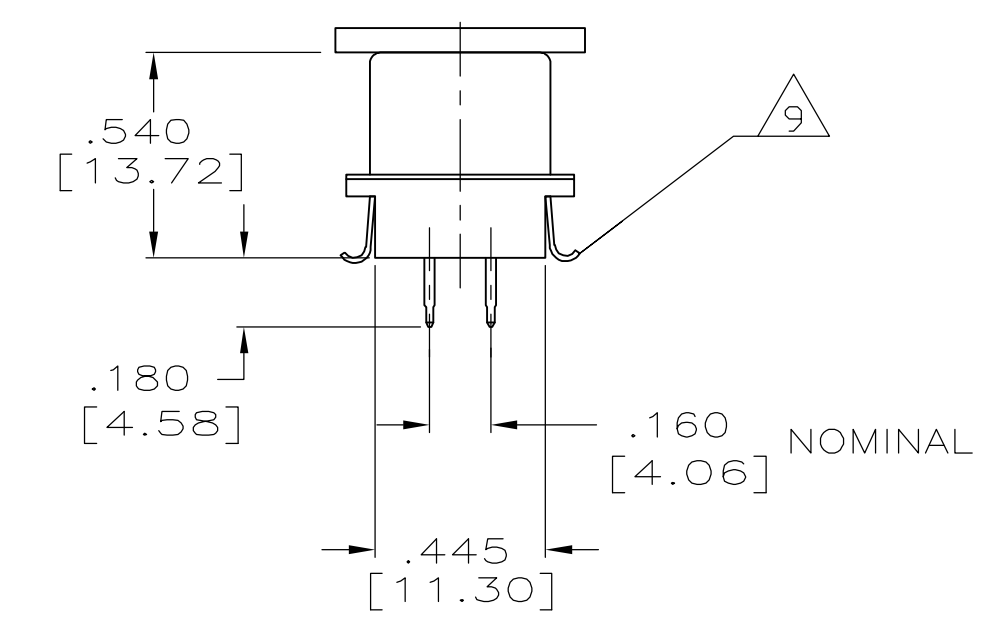
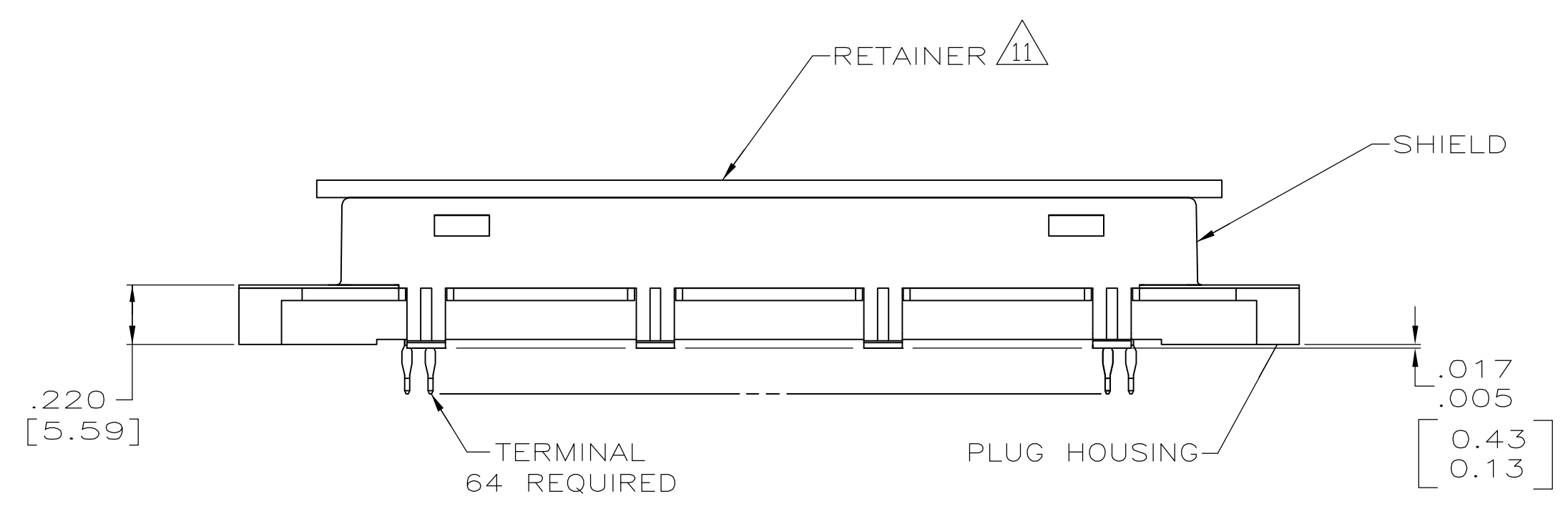
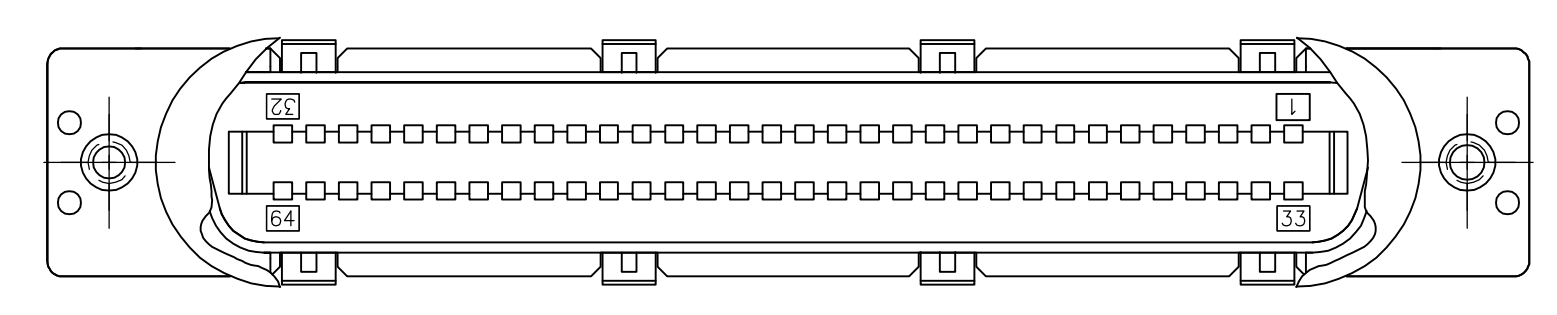
Contact us

Tel: +86-755-8981 8866 Fax: +86-755-8427 6832

Email & Skype: info@chipsmall.com Web: www.chipsmall.com

Address: A1208, Overseas Decoration Building, #122 Zhenhua RD., Futian, Shenzhen, China





$\triangle 10$ $\triangle 5$ PRINTED CIRCUIT BOARD MOUNTING DIMENSIONS

- $\triangle 1$ ALL DIMENSIONS SHOWN ARE MAXIMUM UNLESS OTHERWISE SPECIFIED.
- $\triangle 2$ MATERIAL: HOUSING - POLYPHENYLENE OXIDE, BLACK. SHIELD - CARBON STEEL PLATED WITH .000200 [5.08 μ m] MINIMUM NICKEL. TERMINALS - PHOSPHOR BRONZE PLATED WITH .000030 [0.76 μ m] MINIMUM GOLD PLATE IN LOCALIZED PLATE AREA OVER .000050 [1.27 μ m] MINIMUM ELECTROLESS NICKEL. RETAINER - POLYETHYLENE, NATURAL INSERTS - BRASS, PLATED WITH .000100 [2.54 μ m] MINIMUM BRIGHT ZINC. 5556622-2 PLATED WITH TIN .000100-.000180 [2.54 μ m-4.57 μ m] THICK ON ACTION PIN AREA.
- 3. THE CONTACT SURFACES OF THE TERMINALS ARE COATED WITH LUBRICANT.
- $\triangle 4$ OPTIONAL MOUNTING HOLE FOR SELF-TAPPING SCREW.
- $\triangle 5$ ALL PLATED-THRU HOLES SHALL BE PER AMP SPEC 115-6072.
- 6. FOR NON-PANEL MOUNT APPLICATIONS USE BAIL LOCK HARDWARE KIT NO. 556614-1.
- 7. CENTER-TO-CENTER SPACING OF TERMINALS IS .085 NOMINAL.
- 8. DIMENSIONS IN [] ARE MILLIMETERS.
- $\triangle 9$ GROUND TABS (8) PLACES.
- $\triangle 10$ 50 LBS MINIMUM FORCE REQUIRED TO UNSEAT CONNECTOR FROM PRINTED CIRCUIT BOARD WITHOUT USE OF HARDWARE.
- $\triangle 11$ RETAINER MUST REMAIN INSTALLED UNTIL AFTER CONNECTOR HAS BEEN INSERTED INTO PCB HOLES.

Sn	5556622-2
Au	5556622-1
PIN PLATING	PART NUMBER

THIS DRAWING IS A CONTROLLED DOCUMENT.		DWN S2	MCMMASTER	16AUG05	tyco Electronics	Tyco Electronics Corporation Harrisburg, Pa 17105-3608			
DIMENSIONS: INCHES(mm)		CHK W	MILLHIMES	16AUG05		NAME	RECEPTACLE ASSEMBLY, 64 POSITION, SHIELDED, ACTION PIN, WITH 4-40 HOLES		
TOLERANCES UNLESS OTHERWISE SPECIFIED:		APRD M	WALMSLEY	16AUG05	PRODUCT SPEC	SIZE	CAGE CODE	DRAWING NO	RESTRICTED TO
0 PLC ± - $\triangle 1$				APPLICATION SPEC		WEIGHT	A1 00779 ©=5556622		
1 PLC ± -				MATERIAL		CUSTOMER DRAWING		SCALE	2:1
2 PLC ± -				FINISH				SHEET	1 OF 1
3 PLC ± -								REV	0
4 PLC ± -									
ANGLES ± -									