



Chipsmall Limited consists of a professional team with an average of over 10 year of expertise in the distribution of electronic components. Based in Hongkong, we have already established firm and mutual-benefit business relationships with customers from,Europe,America and south Asia,supplying obsolete and hard-to-find components to meet their specific needs.

With the principle of “Quality Parts,Customers Priority,Honest Operation,and Considerate Service”,our business mainly focus on the distribution of electronic components. Line cards we deal with include Microchip,ALPS,ROHM,Xilinx,Pulse,ON,Everlight and Freescale. Main products comprise IC,Modules,Potentiometer,IC Socket,Relay,Connector.Our parts cover such applications as commercial,industrial, and automotives areas.

We are looking forward to setting up business relationship with you and hope to provide you with the best service and solution. Let us make a better world for our industry!



Contact us

Tel: +86-755-8981 8866 Fax: +86-755-8427 6832

Email & Skype: info@chipsmall.com Web: www.chipsmall.com

Address: A1208, Overseas Decoration Building, #122 Zhenhua RD., Futian, Shenzhen, China

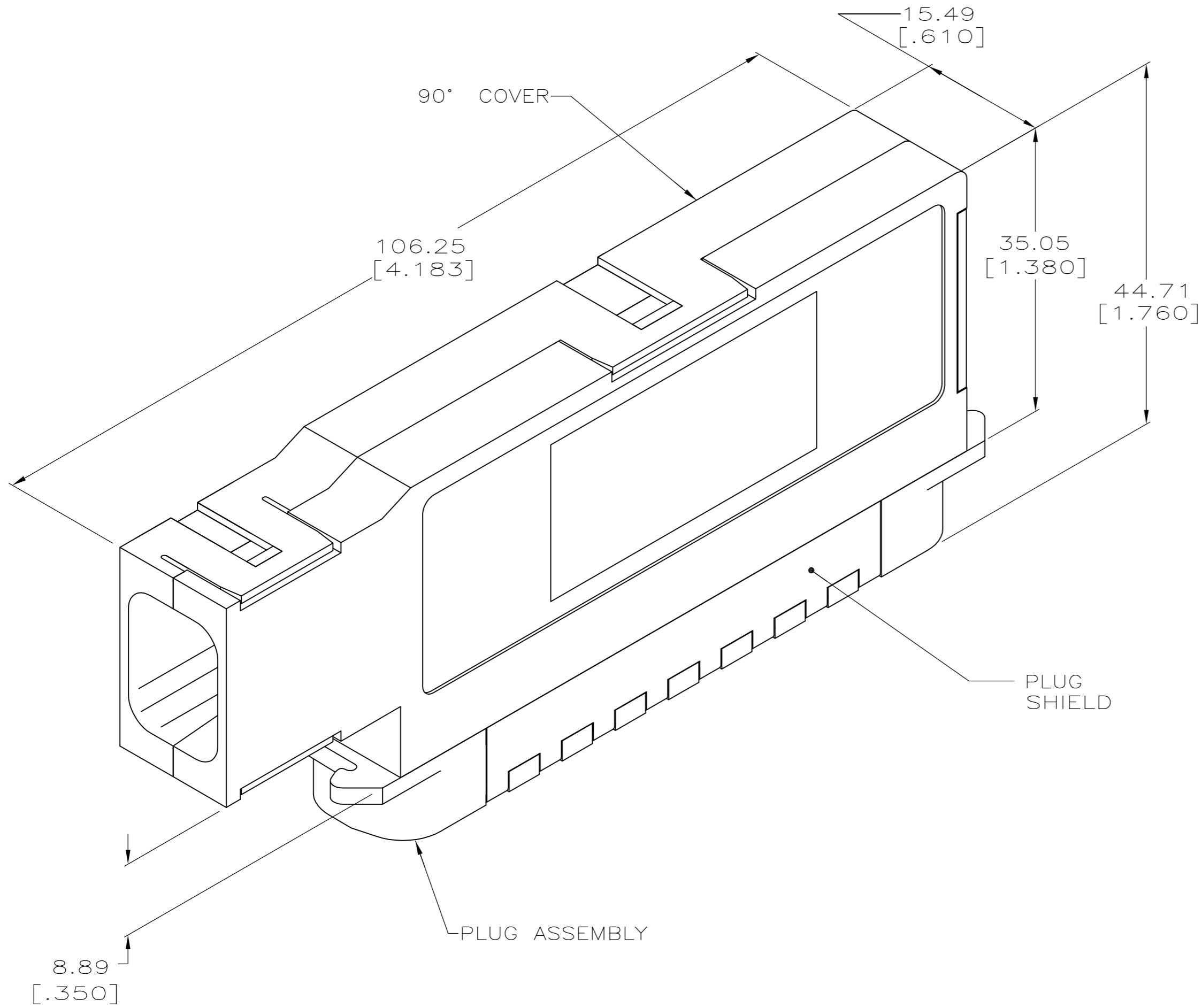


THIS DRAWING IS UNPUBLISHED. RELEASED FOR PUBLICATION
 © COPYRIGHT BY TYCO ELECTRONICS CORPORATION. ALL RIGHTS RESERVED.

LOC		DIST		REVISIONS			
P	LTR	DESCRIPTION		DATE	DWN	APVD	
	C	REVISED PER ECO-08-007327		02OCT08	BM	WM	
	C1	REVISED PER ECO-09-024927		10NOV09	KK	AEG	

1. THIS ASSEMBLY SHOWN ASSEMBLED BUT SHIPPED UNASSEMBLED.
2. MATERIAL: HOUSING - POLYPHENYLENE OXIDE, BLACK. SHIELDS - CARBON STEEL PLATED WITH 5.1µm [.000200] MINIMUM NICKEL. COVERS - ABS MOLDING COMPOUND, PLATED WITH 0.51µm [.000020] MINIMUM ELECTROLYTIC NICKEL OVER 5.1µm [.000200] MINIMUM ELECTROLYTIC COPPER OVER 0.25µm [.000010] MINIMUM ELECTROLESS NICKEL. TERMINAL - PHOSPHOROUS BRONZE PLATED WITH 0.76µm [.000030] MIN GOLD OR GOLD FLASH OVER PALLADIUM NICKEL PLATE, 0.76µm [.000030] MIN TOTAL ON MATING SURFACE. 1.27µm [.000050] MIN NICKEL UNDERPLATE OVER ENTIRE TERMINAL.
3. WIRE SIZE: 24-26 AWG SOLID OR 24 AWG 7-STRANDED COPPER CONDUCTORS. INSULATION DIAMETER 0.73-1.15 [.029-.045] IS ACCEPTABLE FOR MOST APPLICATIONS.
4. WIRE SIZE: 22 AWG SOLID OR 7-STRANDED COPPER CONDUCTORS. INSULATION DIAMETER 1.14-1.42 [.045-.056] IS ACCEPTABLE FOR MOST APPLICATIONS.
5. ALL DIMENSIONS SHOWN ARE MAXIMUM UNLESS OTHERWISE SPECIFIED.
6. CABLE RANGE: 11.43-13.97 [.450-.550] OUTSIDE DIAMETER.
7. CABLE RANGE: 13.97-17.78 [.550-.700] OUTSIDE DIAMETER.
8. DIMENSIONS SHOWN IN [] ARE INCHES.
9. KIT PACKAGED 1 PER POLYBAG.
10. BULK PACKAGED 100 KITS PER BOX.
11. WIRE SIZE: 24 AND 26 AWG SOLID OR STRANDED (7 STRANDS) COPPER CONDUCTORS. MAXIMUM INSULATION DIAMETER 1.32 [.052] IS ACCEPTABLE FOR MOST APPLICATIONS.
12. OBSOLETE PARTS: OBSOLETE CIS STREAMLINING PER D.RENAUD/D.SINISI

OBSOLETE	10	WHITE	K	11	6	5556624-4
	10	BLUE	B	3	6	5556624-3
	9	BROWN	F	4	7	5556624-2
	9	BLUE	B	3	6	5556624-1
		PACKAGING	COLOR DOT	SLOT SIZE		PART NUMBER



THIS DRAWING IS A CONTROLLED DOCUMENT.		DWN	B. MCMMASTER	07DEC05	Tyco Electronics Corporation Harrisburg, PA 17105-3608		
DIMENSIONS: mm [INCHES]		CHK	W. MILLHIMES	07DEC05	NAME		
TOLERANCES UNLESS OTHERWISE SPECIFIED:		APVD	W. MILLHIMES	07DEC05	PLUG ASSEMBLY KIT, 64 POSITION, 90 DEGREE EXIT, SHIELDED, CHAMP®		
0 PLC	± -	PRODUCT SPEC	SIZE				
1 PLC	± -	APPLICATION SPEC	CAGE CODE				
2 PLC	± -		DRAWING NO				
3 PLC	± -		RESTRICTED TO				
4 PLC	± -		SCALE				
ANGLES	± -		SHEET				
FINISH	± -		REV				
MATERIAL		WEIGHT	CUSTOMER DRAWING				
			SCALE 2:1 SHEET 1 OF 1 REV C1				