



Chipsmall Limited consists of a professional team with an average of over 10 year of expertise in the distribution of electronic components. Based in Hongkong, we have already established firm and mutual-benefit business relationships with customers from,Europe,America and south Asia,supplying obsolete and hard-to-find components to meet their specific needs.

With the principle of “Quality Parts,Customers Priority,Honest Operation,and Considerate Service”,our business mainly focus on the distribution of electronic components. Line cards we deal with include Microchip,ALPS,ROHM,Xilinx,Pulse,ON,Everlight and Freescale. Main products comprise IC,Modules,Potentiometer,IC Socket,Relay,Connector.Our parts cover such applications as commercial,industrial, and automotives areas.

We are looking forward to setting up business relationship with you and hope to provide you with the best service and solution. Let us make a better world for our industry!



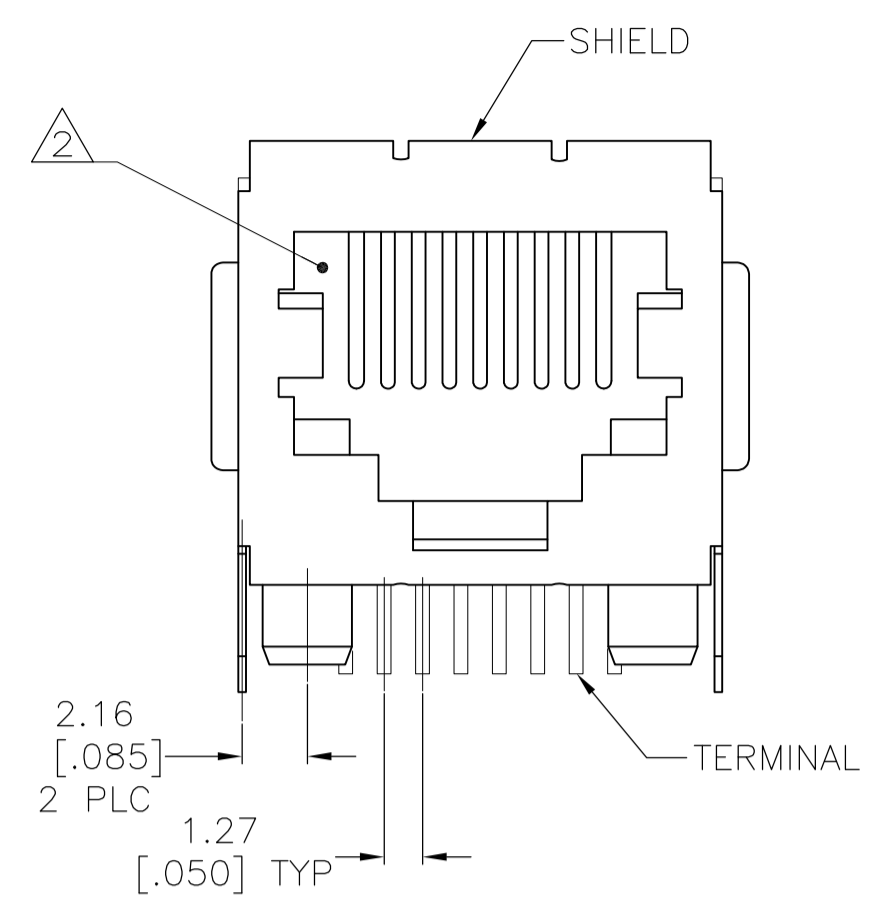
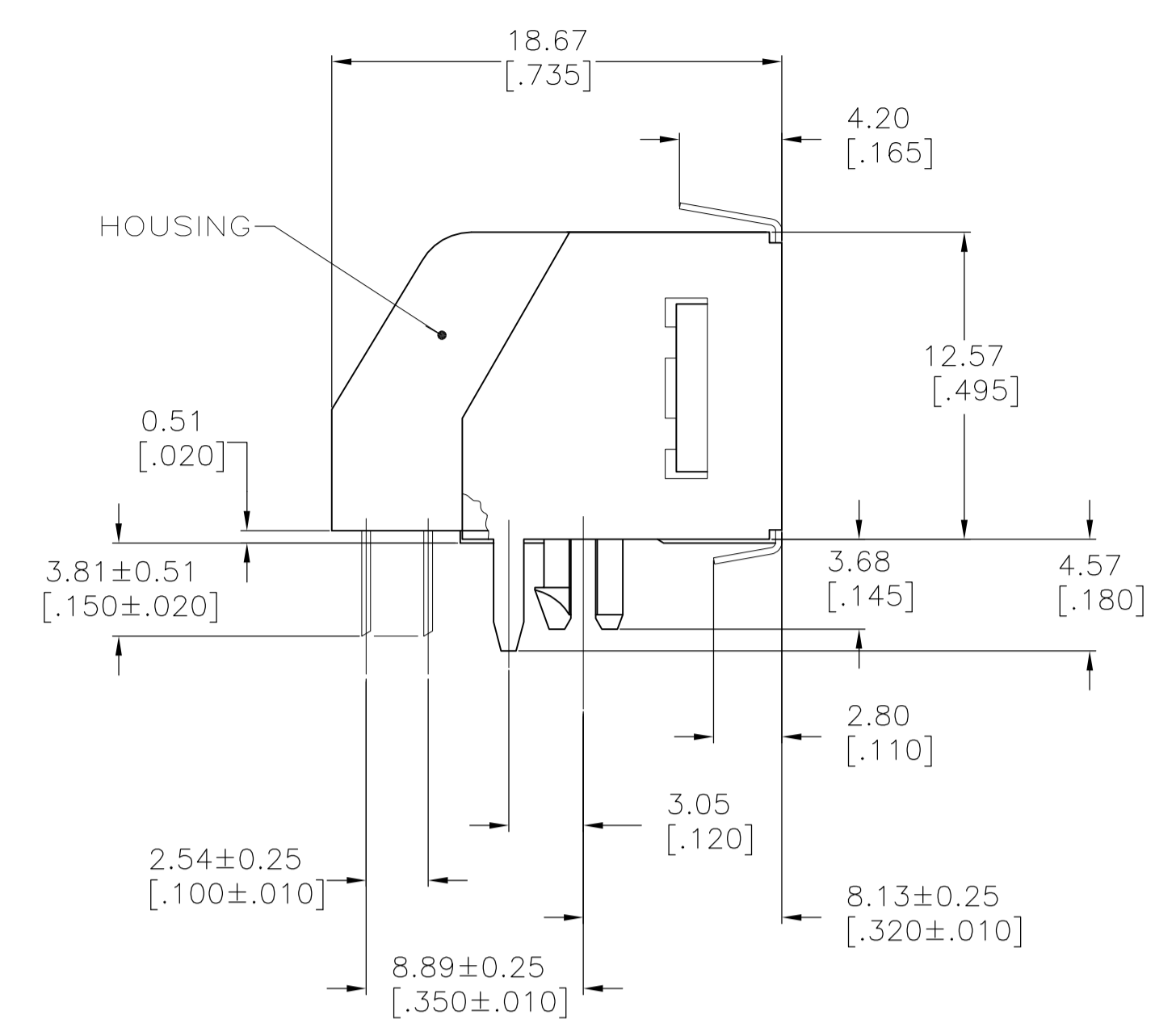
Contact us

Tel: +86-755-8981 8866 Fax: +86-755-8427 6832

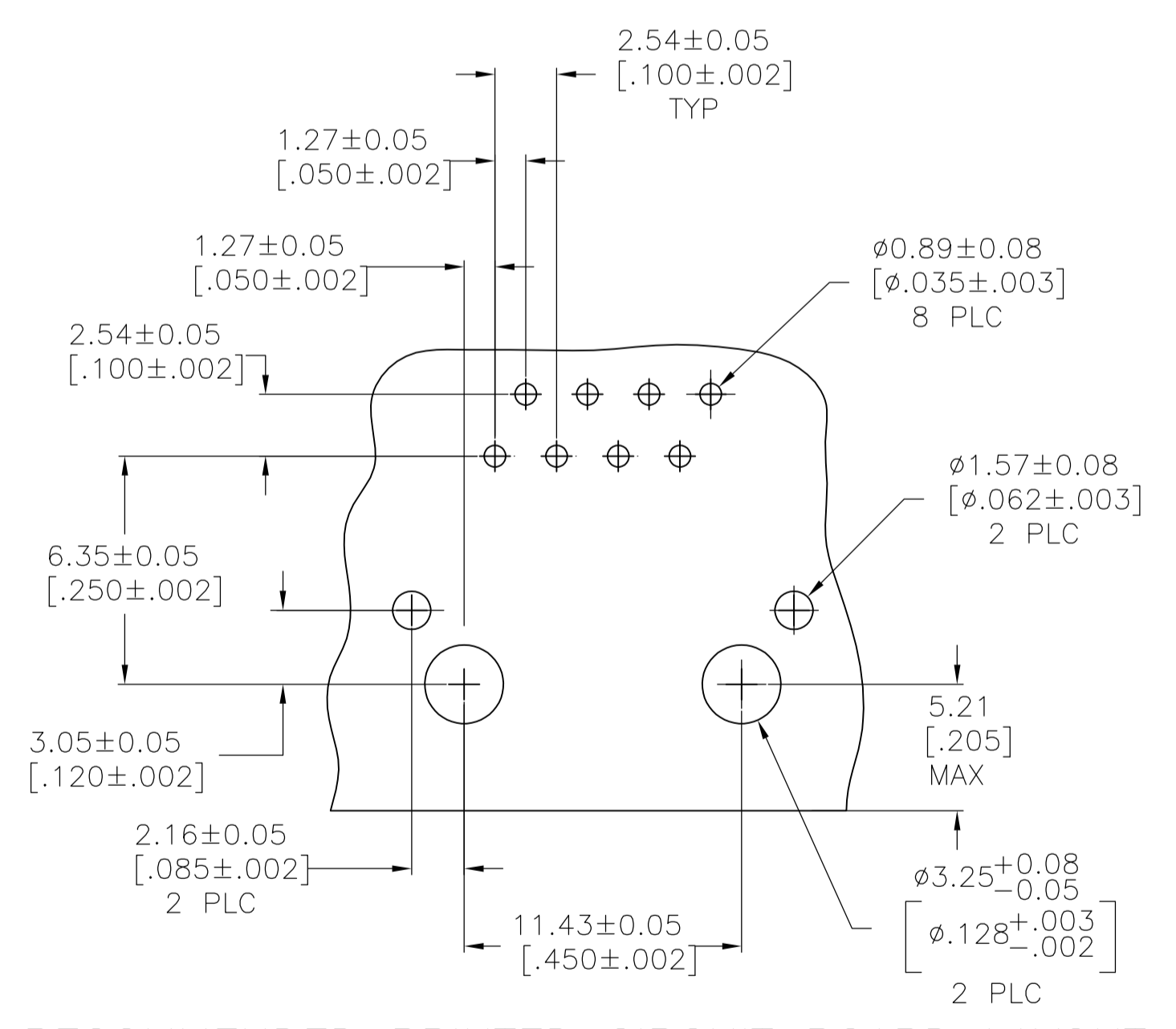
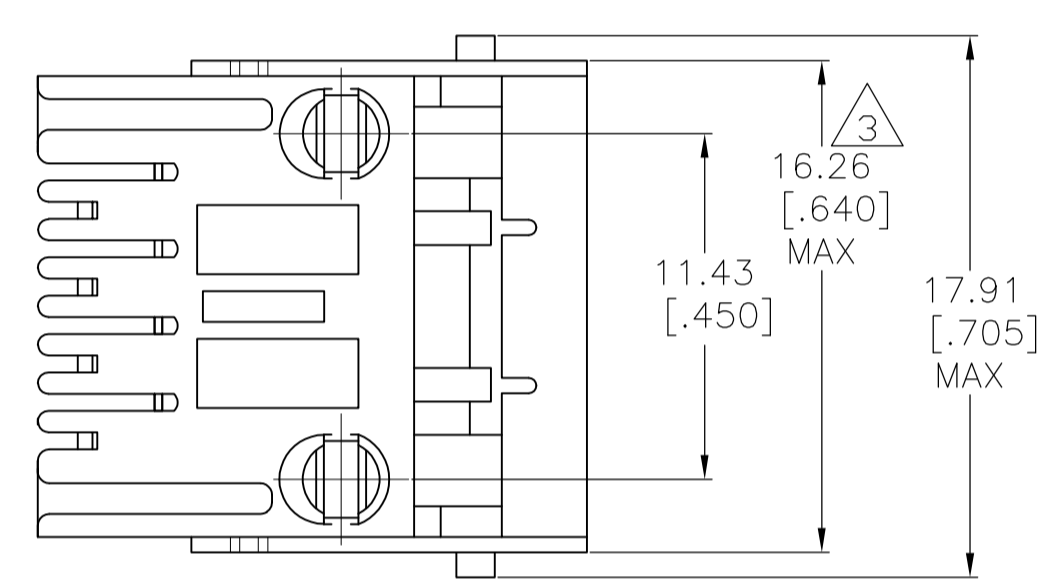
Email & Skype: info@chipsmall.com Web: www.chipsmall.com

Address: A1208, Overseas Decoration Building, #122 Zhenhua RD., Futian, Shenzhen, China

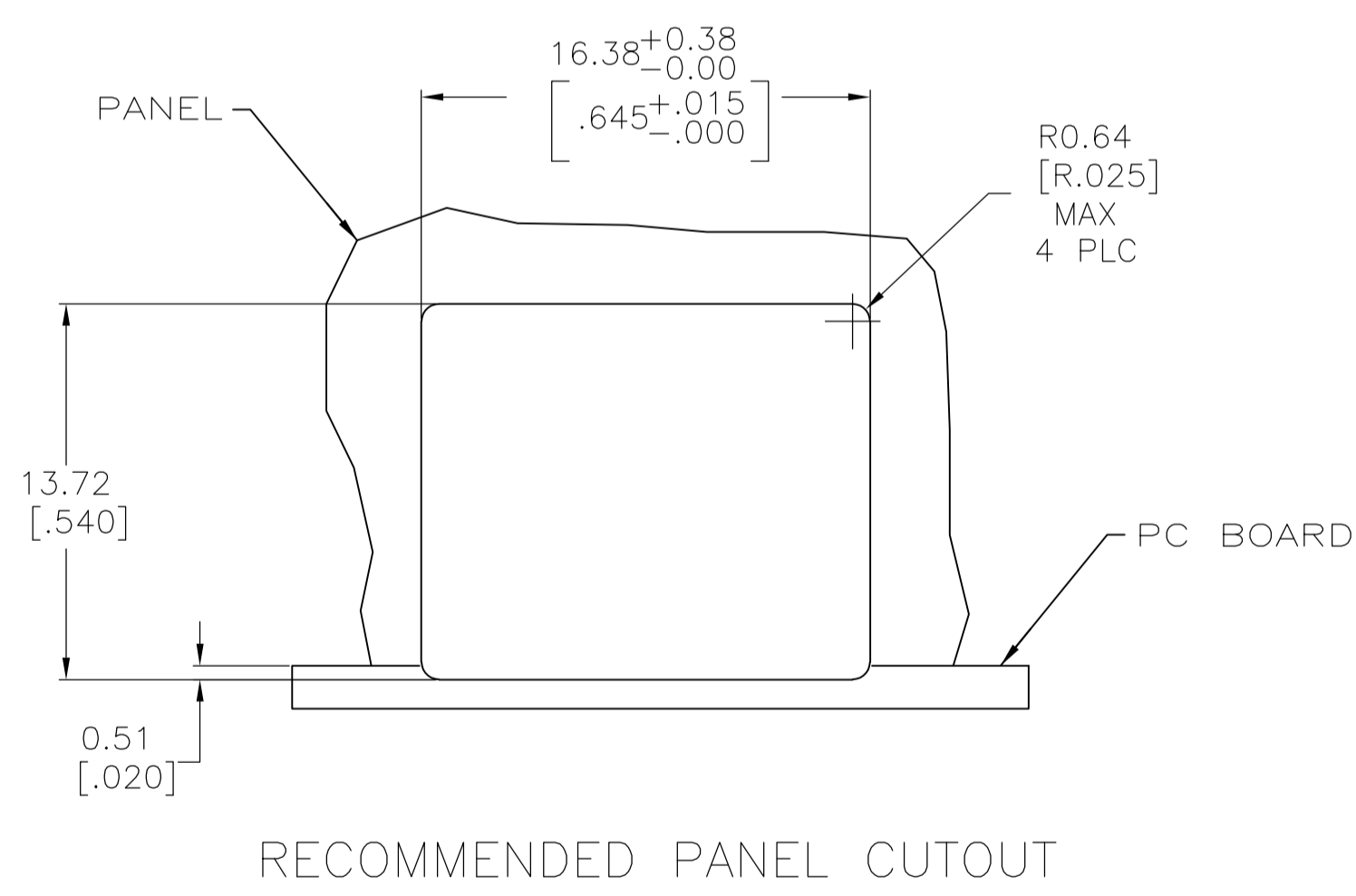




1. MATERIAL:
 HOUSING - PBT POLYESTER, COLOR: BLACK
 TERMINAL - 0.36[.014] THICK PHOS BRONZE PLATED WITH 1.27µm [.000050] THICK HARD GOLD IN LOCALIZED GOLD PLATE AREA AND 3.81µm [.000150] THICK MATTE TIN IN SOLDER AREA OVER 1.27µm [.000050] THICK NICKEL UNDERPLATE
 SHIELD - 0.25 [.010] THICK COPPER ALLOY PLATED WITH 3.0µm [.000120] MINIMUM THICK REFLOWED TIN
2. CAVITY CONFORMS TO FCC RULES AND REGULATIONS PART 68, SUBPART F.
3. DIMENSIONS MEASURED ALONG FRONT EDGES OF MATING FACE



RECOMMENDED PRINTED CIRCUIT BOARD LAYOUT (COMPONENT SIDE)



RECOMMENDED PANEL CUTOUT

5556926-1
 PART NUMBER

| | | | |
|--|--|---|---|
| THIS DRAWING IS A CONTROLLED DOCUMENT. | | DMN G. ATTADIA - 10JUN2005 | Tyco Electronics Corporation Harrisburg, PA 17105-3608 |
| DIMENSIONS: mm [INCHES] | | CHK J. WESTMAN 10JUN2005 | APVD S. FLICKINGER 10JUN2005 |
| TOLERANCES UNLESS OTHERWISE SPECIFIED: | | NAME MODULAR JACK ASSEMBLY, SHIELDED, 8 POSITION, LOW PROFILE, RIGHT ANGLE, WITH PANEL GROUNDS | |
| 0 PLC ± - | | PRODUCT SPEC 108-1163 | |
| 1 PLC ± - | | APPLICATION SPEC 114-2048 | |
| 2 PLC ± ± 0.13[.005] | | SIZE A1 | |
| 3 PLC ± ± - | | CAGE CODE 00779 | |
| 4 PLC ± ± - | | DRAWING NO 5556926 | |
| ANGLES ± ± - | | RESTRICTED TO CUSTOMER DRAWING | |
| MATERIAL SEE NOTE 1 | | WEIGHT - | |
| FINISH SEE NOTE 1 | | SCALE 4:1 | |
| | | SHEET 1 OF 1 | |
| | | REV C | |