



Chipsmall Limited consists of a professional team with an average of over 10 year of expertise in the distribution of electronic components. Based in Hongkong, we have already established firm and mutual-benefit business relationships with customers from,Europe,America and south Asia,supplying obsolete and hard-to-find components to meet their specific needs.

With the principle of “Quality Parts,Customers Priority,Honest Operation,and Considerate Service”,our business mainly focus on the distribution of electronic components. Line cards we deal with include Microchip,ALPS,ROHM,Xilinx,Pulse,ON,Everlight and Freescale. Main products comprise IC,Modules,Potentiometer,IC Socket,Relay,Connector.Our parts cover such applications as commercial,industrial, and automotives areas.

We are looking forward to setting up business relationship with you and hope to provide you with the best service and solution. Let us make a better world for our industry!



## Contact us

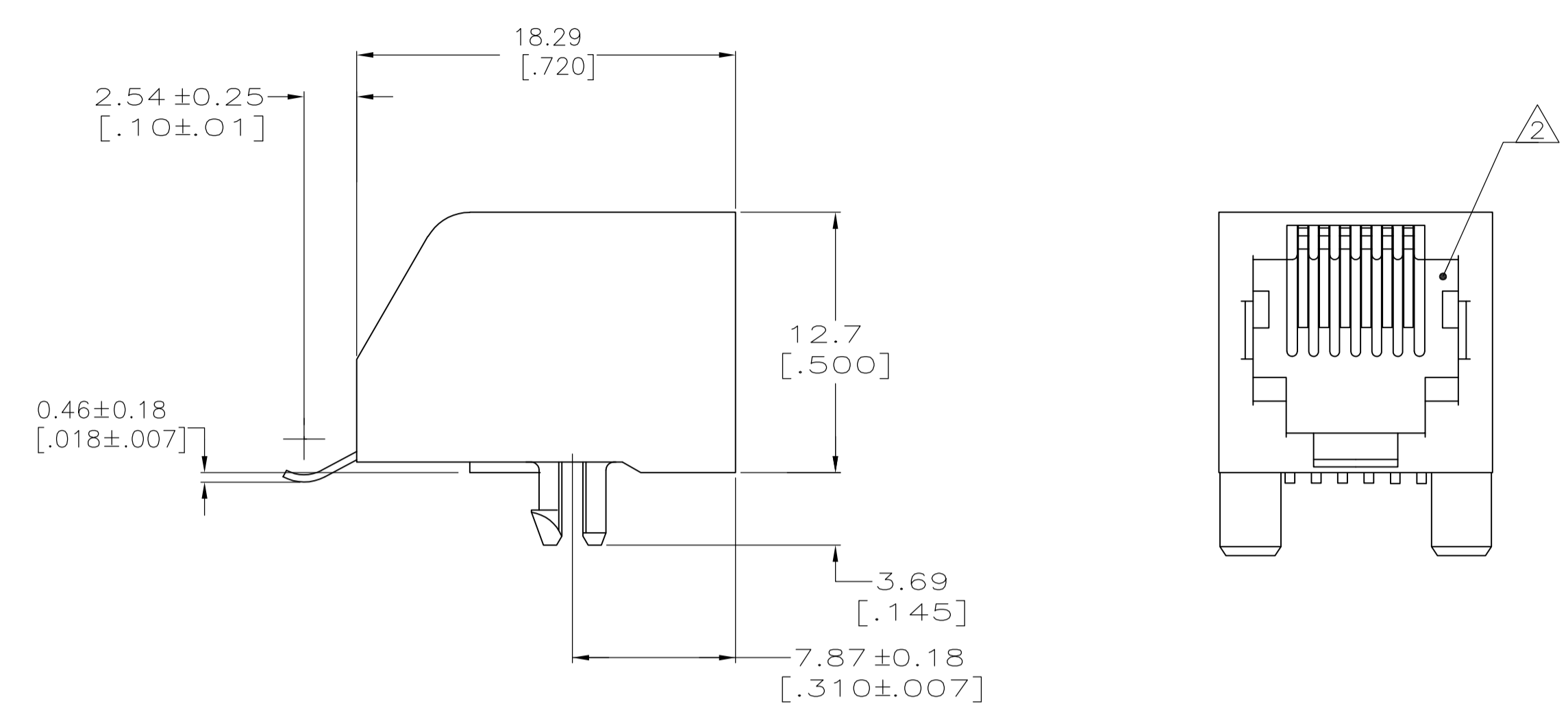
Tel: +86-755-8981 8866 Fax: +86-755-8427 6832

Email & Skype: info@chipsmall.com Web: www.chipsmall.com

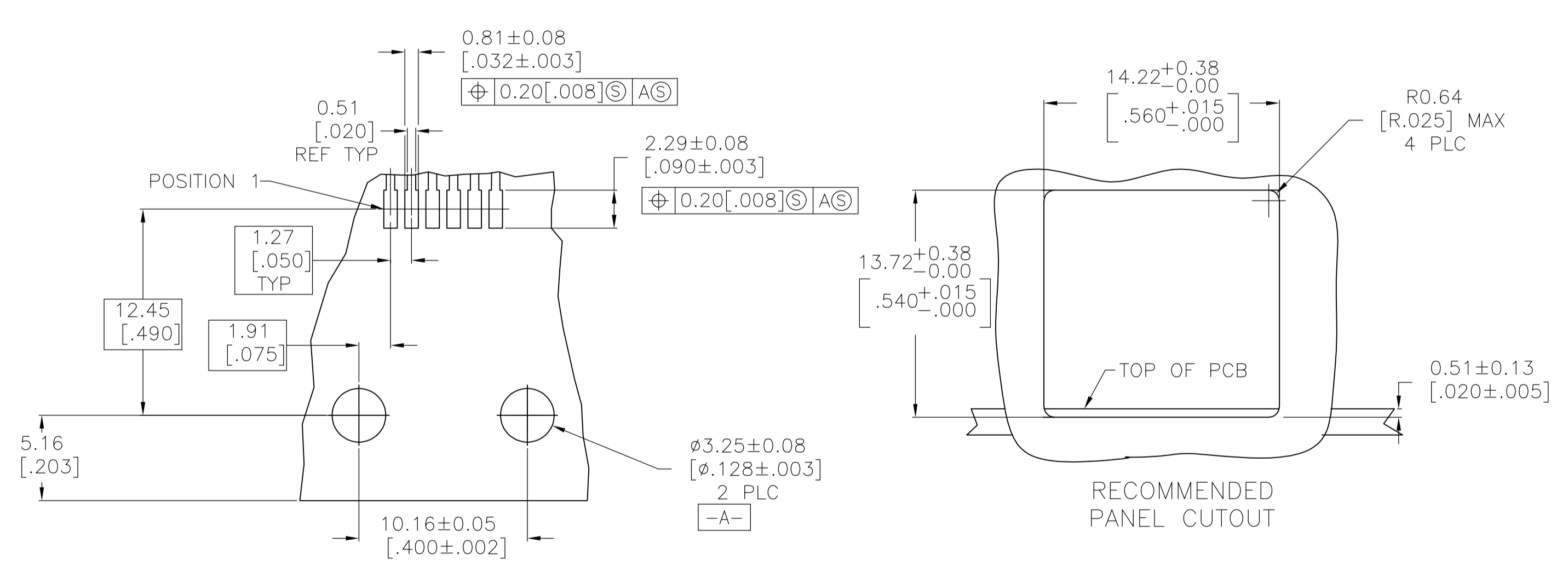
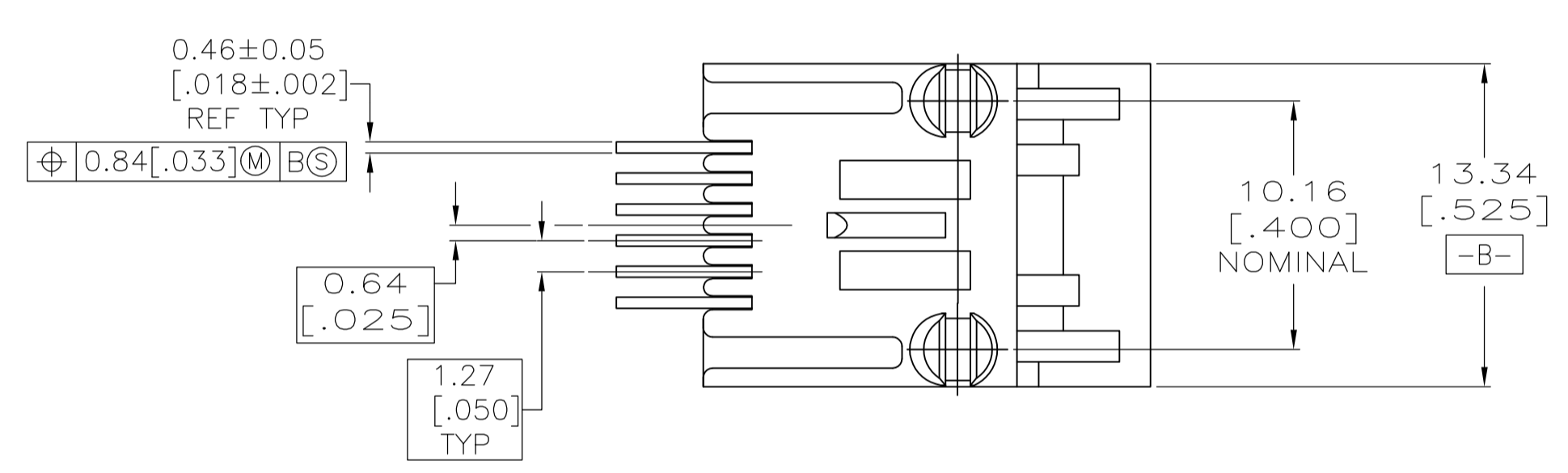
Address: A1208, Overseas Decoration Building, #122 Zhenhua RD., Futian, Shenzhen, China



LOC		DIST		REVISIONS			
P	LTR	DESCRIPTION	DATE	DN	APVD		
B1	REVISED PER	ECO-11-005033	23MAR11	RK	HMR		



- MATERIAL: HOUSING- HTN MOLDING COMPOUND, 94VO, COLOR: BLACK.  
 TERMINAL- 0.36 [.014] THICK PHOS BRONZE PLATED WITH 1.27 μm [.000050] MIN THICK HARD GOLD IN LOCALIZED GOLD PLATE AREA AND 3.81 μm [.000150] THICK MATTE TIN IN SOLDER AREA OVER 1.27 μm [.000050] MIN THICK NICKEL UNDERPLATE.
- CAVITY CONFORMS TO FCC RULES AND REGULATIONS PART 68, SUBPART F.
- SNAP-IN RETENTION FEATURE ACCOMMODATES A 1.57 ± 0.13 [.062 ± .005] PRINTED CIRCUIT BOARD.
- DIMENSIONS ARE MAXIMUM UNLESS OTHERWISE SPECIFIED AND ARE PRIOR TO SURFACE MOUNT PROCESSING.
- TERMINALS SHALL BE ASSEMBLED IN CENTER POSITIONS FOR -2.
- 2 PACKAGED 42 ASSEMBLIES PER TUBE.



RECOMMENDED PRINTED CIRCUIT BOARD COMPONENT SIDE

RECOMMENDED PANEL CUTOUT

4	5557314-2
6	5557314-1 (SHOWN)
TERMINALS REQUIRED	PART NO

THIS DRAWING IS A CONTROLLED DOCUMENT.

DIMENSIONS: mm [INCHES]	TOLERANCES UNLESS OTHERWISE SPECIFIED:	DIN 27AJG2007	LA.MAYER	27AJG2007	NAME	MODULAR JACK ASSEMBLY, 6 POSITION, LOW PROFILE, RIGHT ANGLE, SURFACE MOUNT
	0 PLC ± -	1 PLC ± -	P.RECCE	27AJG2007	PRODUCT SPEC	108-1163
	2 PLC ± -	3 PLC ± -	S.FLICKINGER	27AJG2007	APPLICATION SPEC	114-8040
	4 PLC ± -	ANGLES ± ±			SIZE	A1
MATERIAL SEE NOTE 1	FINISH SEE NOTE 1	WEIGHT			CAGE CODE	00779
					DRAWING NO	5557314
					RESTRICTED TO	
					CUSTOMER DRAWING	

SCALE 4:1 SHEET 1 OF 1 REV B1