



Chipsmall Limited consists of a professional team with an average of over 10 year of expertise in the distribution of electronic components. Based in Hongkong, we have already established firm and mutual-benefit business relationships with customers from,Europe,America and south Asia,supplying obsolete and hard-to-find components to meet their specific needs.

With the principle of “Quality Parts,Customers Priority,Honest Operation,and Considerate Service”,our business mainly focus on the distribution of electronic components. Line cards we deal with include Microchip,ALPS,ROHM,Xilinx,Pulse,ON,Everlight and Freescale. Main products comprise IC,Modules,Potentiometer,IC Socket,Relay,Connector.Our parts cover such applications as commercial,industrial, and automotives areas.

We are looking forward to setting up business relationship with you and hope to provide you with the best service and solution. Let us make a better world for our industry!



Contact us

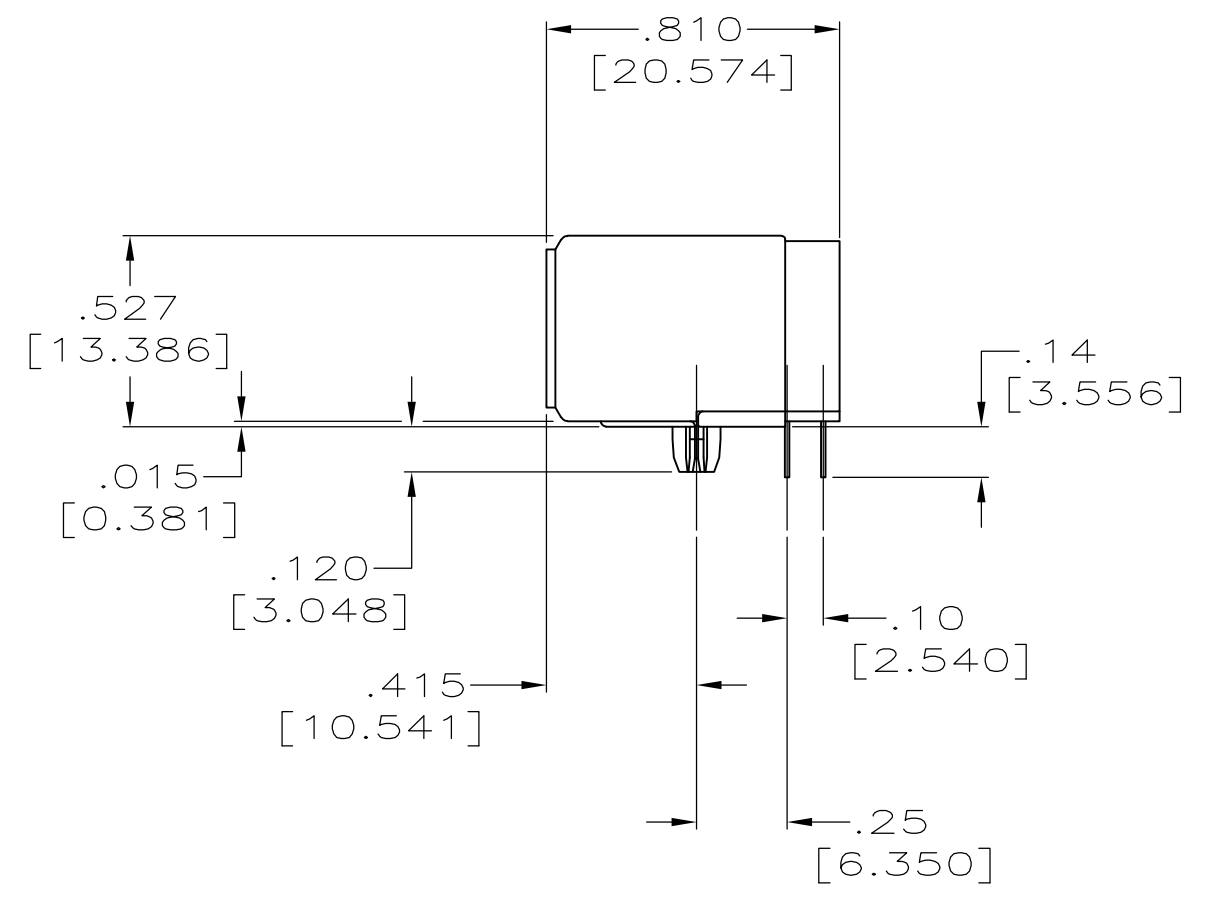
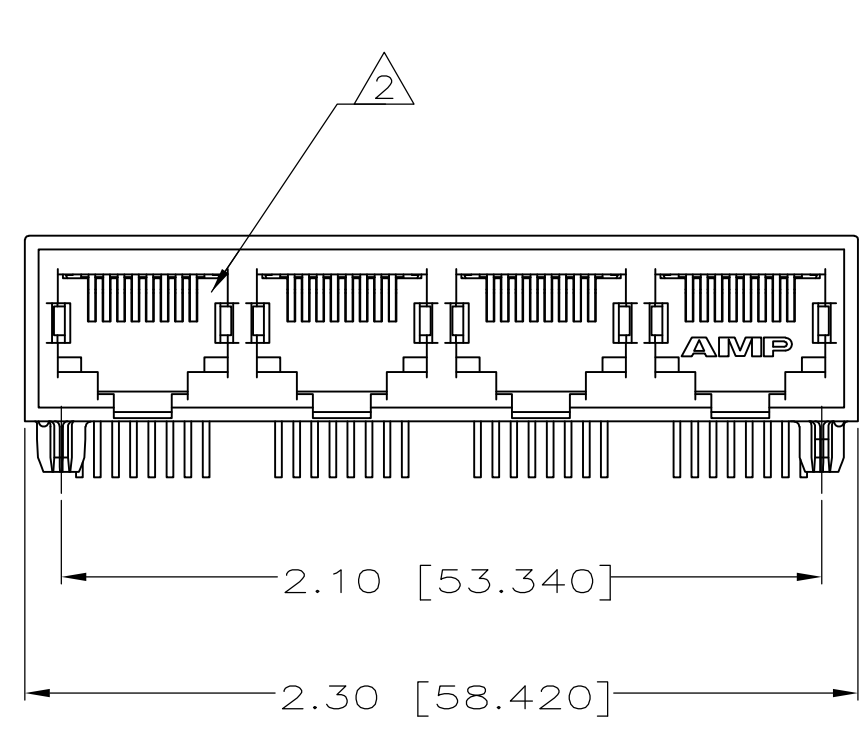
Tel: +86-755-8981 8866 Fax: +86-755-8427 6832

Email & Skype: info@chipsmall.com Web: www.chipsmall.com

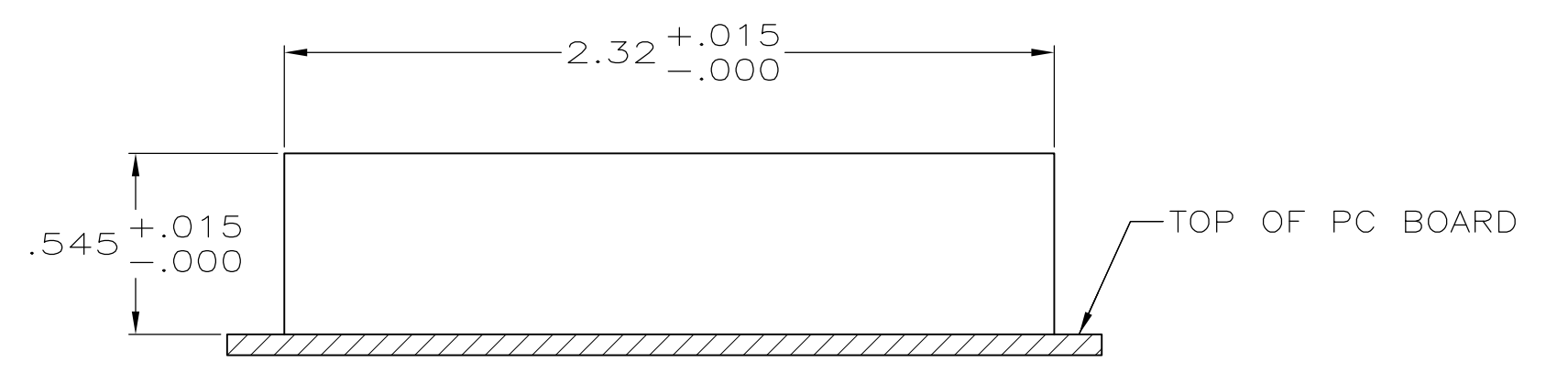
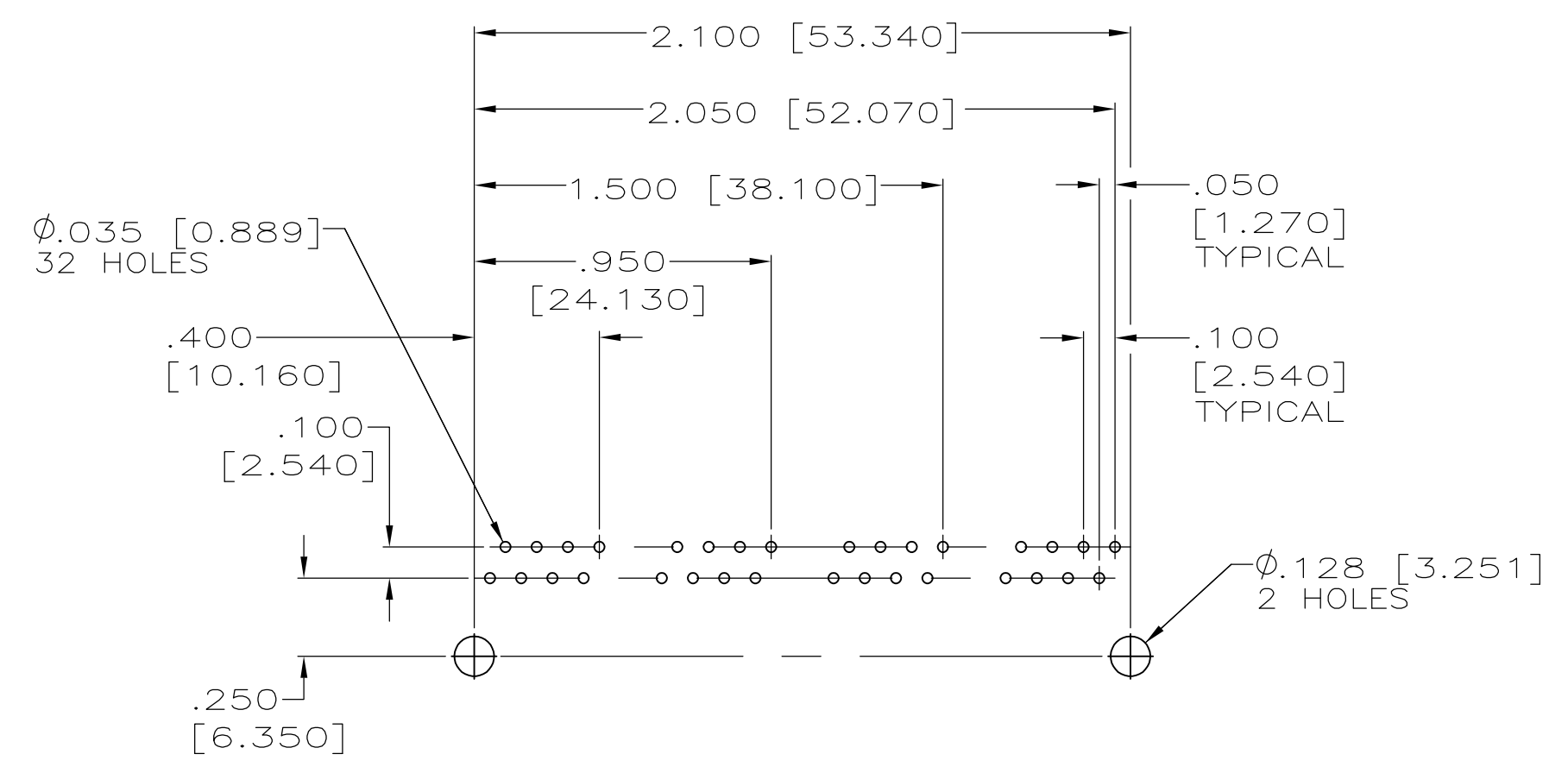
Address: A1208, Overseas Decoration Building, #122 Zhenhua RD., Futian, Shenzhen, China



LOC	DIST	REVISIONS			
P	LTR	DESCRIPTION	DATE	OWN	APVD
AA	22	A1	REVISED PER ECO-11-005033	29MAR11	RK HMR



- 1. MATERIAL: HOUSING - HTN NYLON, BLACK, IR REFLOW PROCESSING COMPATIBLE, UL 94V-0. TERMINALS - .013[0.33] THICK PHOS BRONZE PLATED WITH .000050[1.27µm] THICK HARD GOLD IN LOCALIZED AREA AND .000150[3.81µm] THICK MATTE TIN IN SOLDER AREA OVER .000050[1.27µm] THICK NICKEL UNDERPLATE.
- 2. JACK CAVITY CONFORMS TO FCC RULES AND REGULATIONS, PART 68 SUBPART F.
- 3. ALL DIMENSIONS SHOWN ARE NOMINAL UNLESS OTHERWISE SPECIFIED.
- 4. ALL DIMENSIONS SHOWN IN BRACKETS [] ARE IN MILLIMETERS.



SUGGESTED PANEL CUTOUT

SUGGESTED PC BOARD LAYOUT
 COMPONENT SIDE
 SEE APPLICATION SPECIFICATION

5557562-1
 PART NO.

THIS DRAWING IS A CONTROLLED DOCUMENT.		DWN G. ATTADIA - DOCK5 10JUN2005	TE Connectivity	
DIMENSIONS: mm[INCHES]		CHK J. WESTMAN 10JUN2005		
TOLERANCES UNLESS OTHERWISE SPECIFIED:		APVD S. FLICKINGER 10JUN2005	NAME MODULAR JACK ASSEMBLY, FOUR PORT, 8 POSITION, RIGHT ANGLE	
0 PLC ± - 1 PLC ± - 2 PLC ± .01[0.254] 3 PLC ± .005[0.127] 4 PLC ± - ± - ANGLES ± - ± -		PRODUCT SPEC 108-1392	SIZE A2	
MATERIAL 1		APPLICATION SPEC 114-2048	CAGE CODE 00779	DRAWING NO 5557562
FINISH 1		WEIGHT -	RESTRICTED TO -	
CUSTOMER DRAWING			SCALE 2:1	SHEET 1 of 1
			REV A1	