



Chipsmall Limited consists of a professional team with an average of over 10 year of expertise in the distribution of electronic components. Based in Hongkong, we have already established firm and mutual-benefit business relationships with customers from,Europe,America and south Asia,supplying obsolete and hard-to-find components to meet their specific needs.

With the principle of "Quality Parts,Customers Priority,Honest Operation,and Considerate Service",our business mainly focus on the distribution of electronic components. Line cards we deal with include Microchip,ALPS,ROHM,Xilinx,Pulse,ON,Everlight and Freescale. Main products comprise IC,Modules,Potentiometer,IC Socket,Relay,Connector.Our parts cover such applications as commercial,industrial, and automotives areas.

We are looking forward to setting up business relationship with you and hope to provide you with the best service and solution. Let us make a better world for our industry!



Contact us

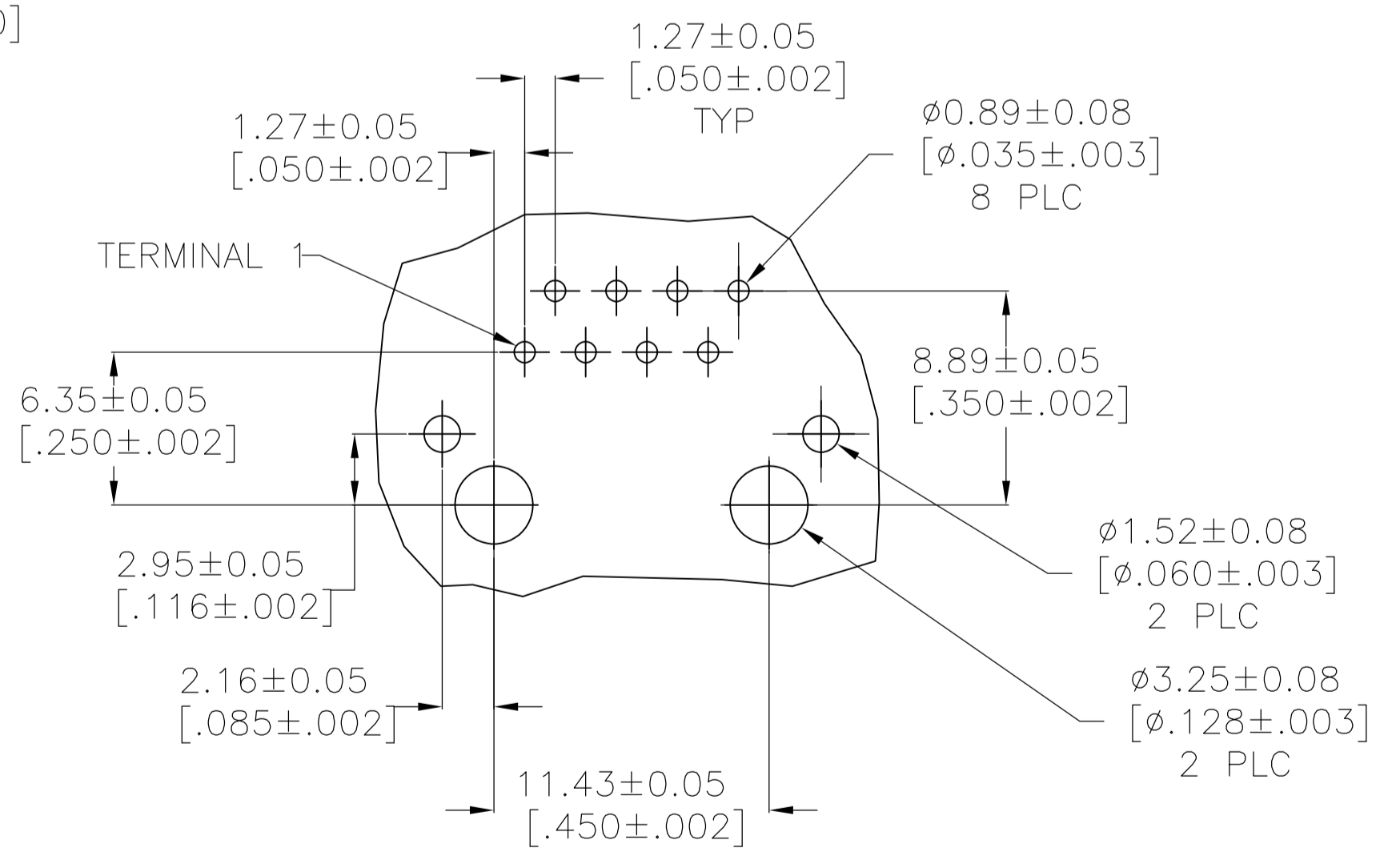
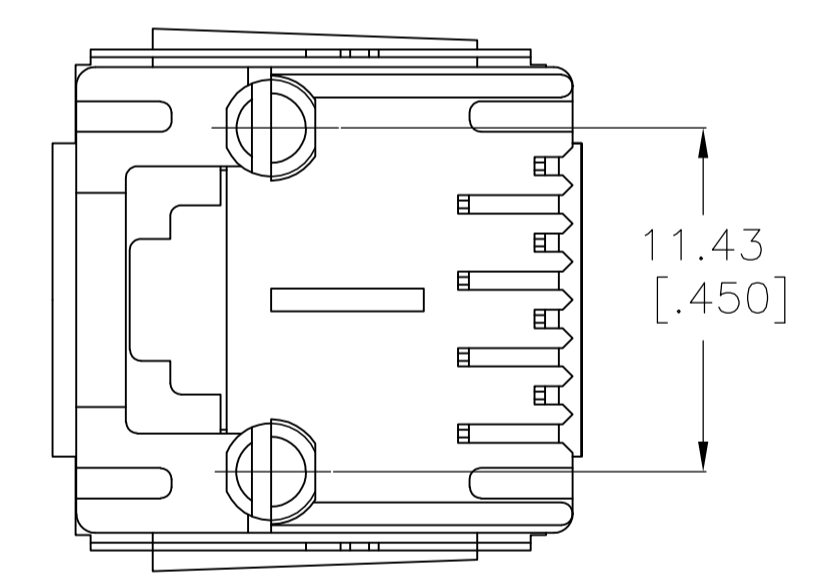
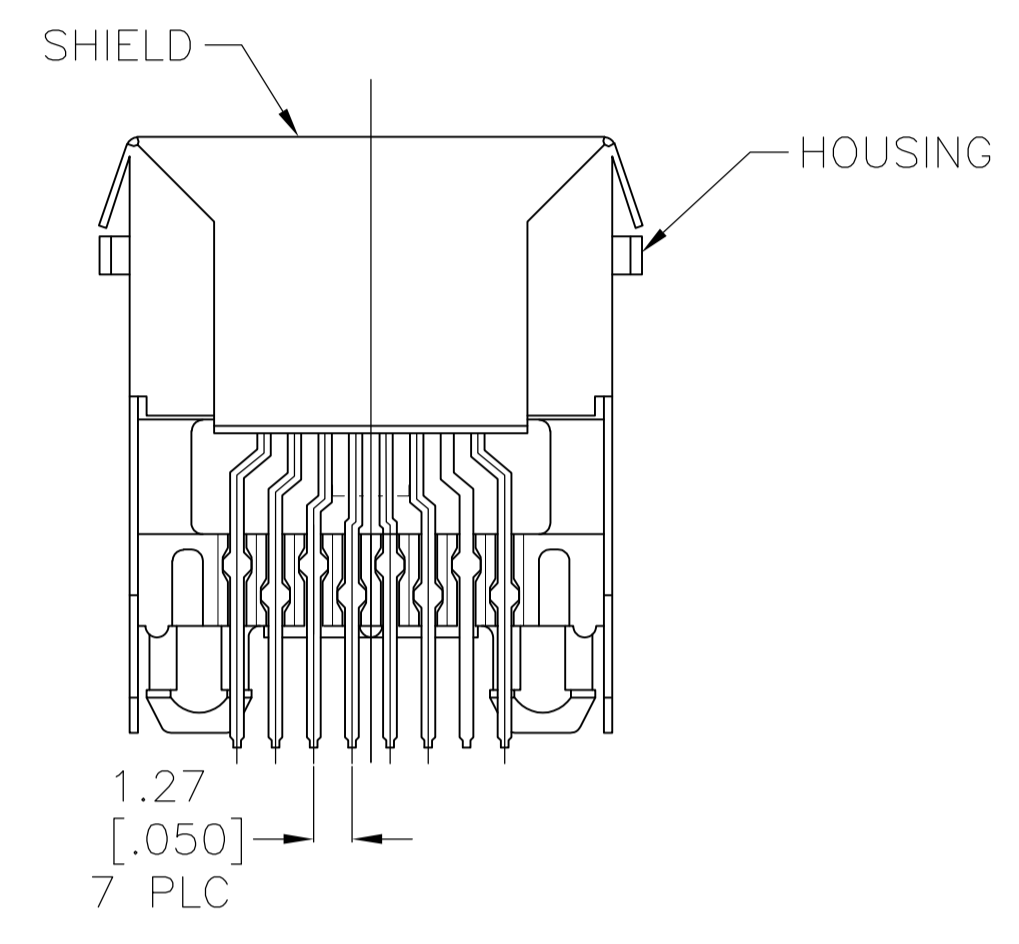
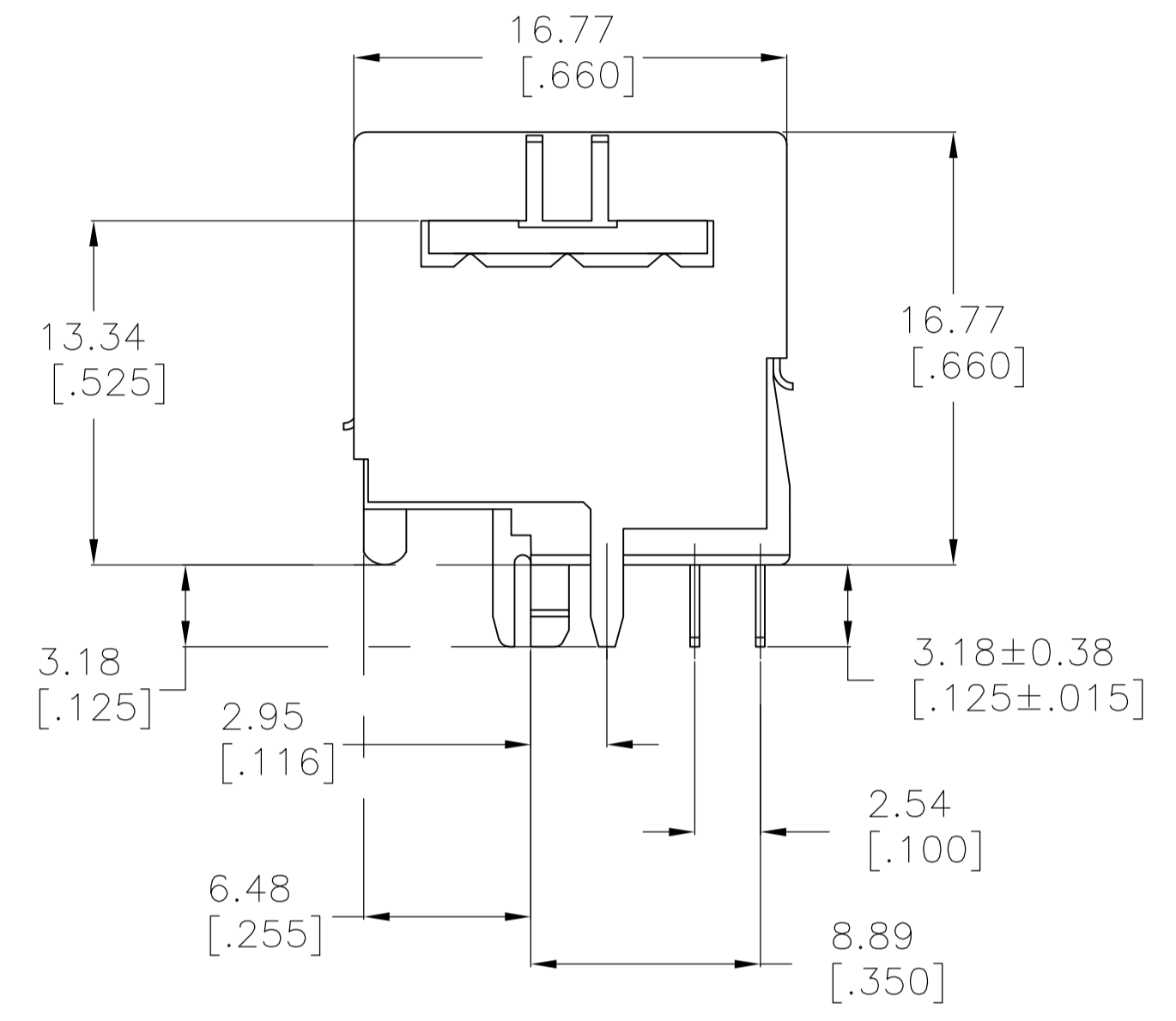
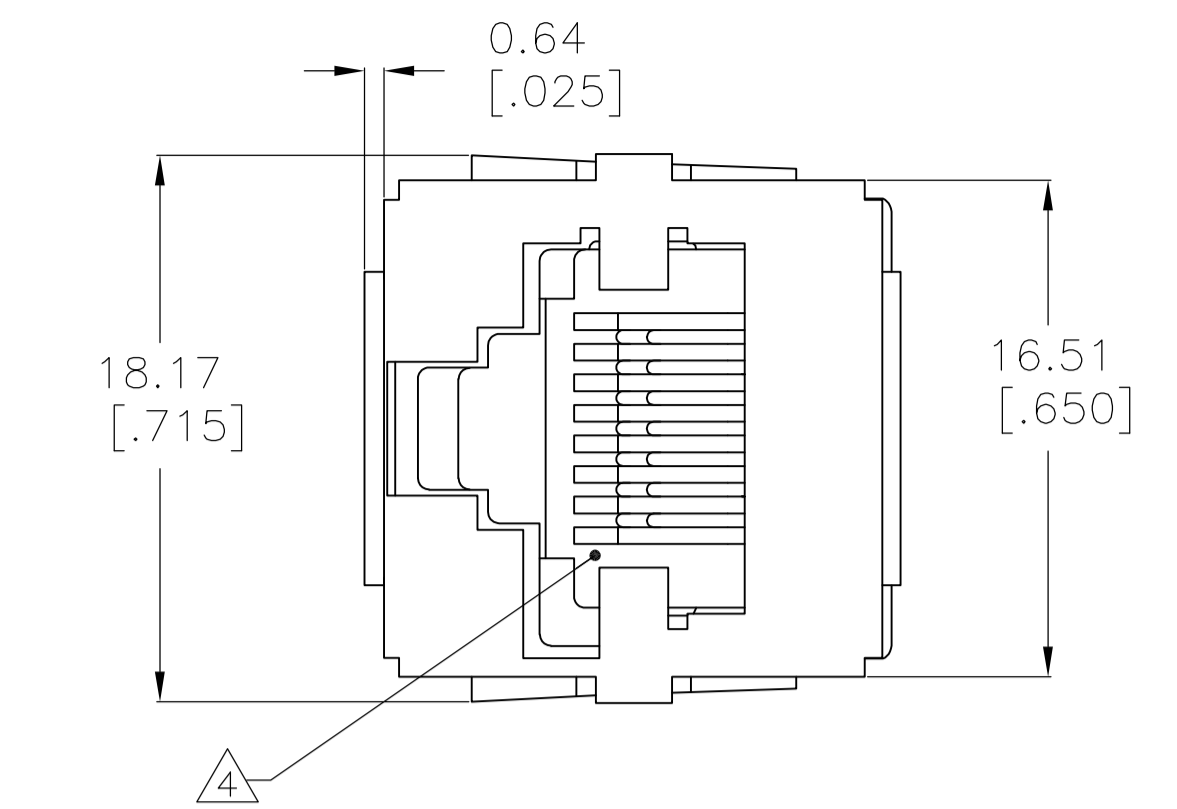
Tel: +86-755-8981 8866 Fax: +86-755-8427 6832

Email & Skype: info@chipsmall.com Web: www.chipsmall.com

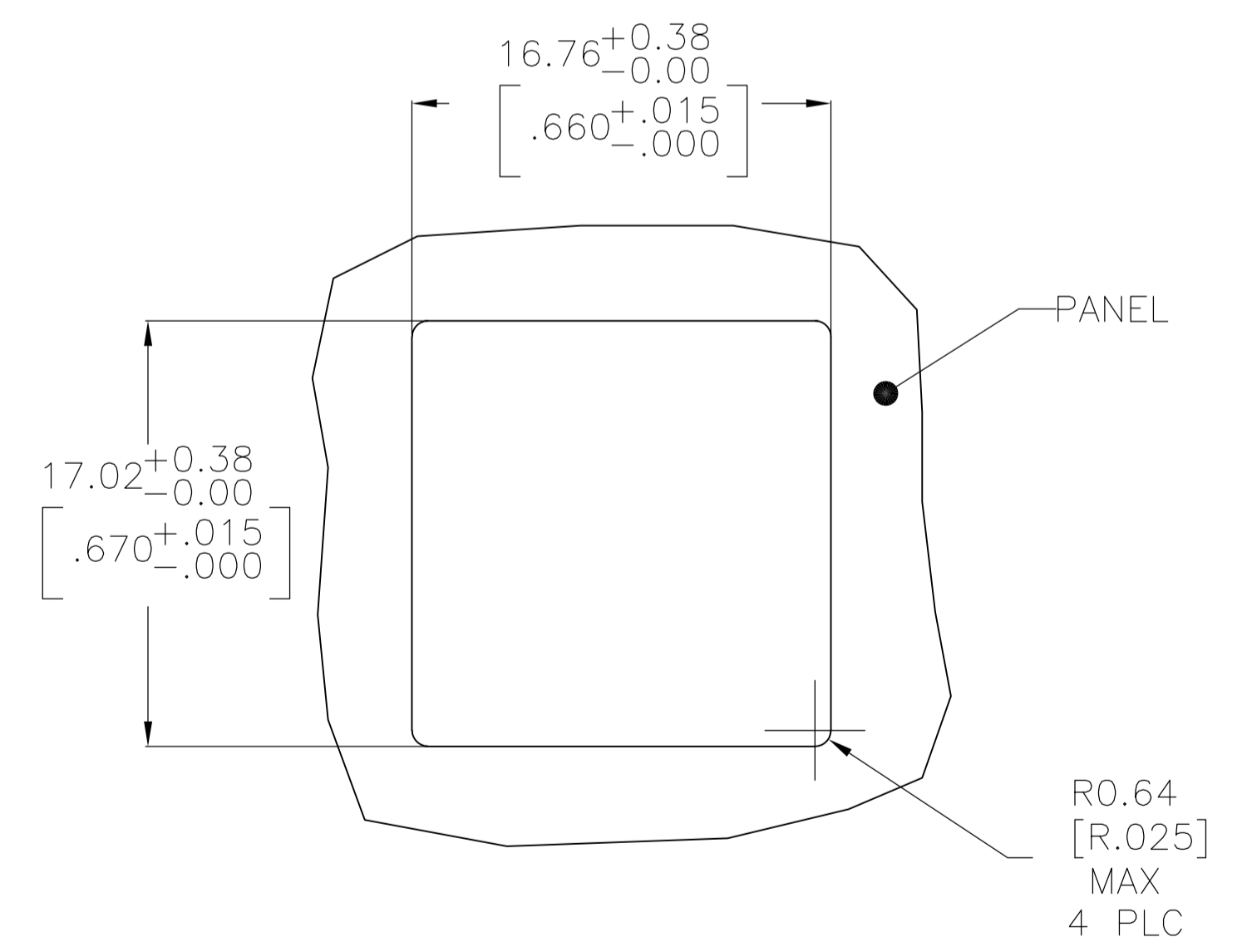
Address: A1208, Overseas Decoration Building, #122 Zhenhua RD., Futian, Shenzhen, China



LOC		DIST		REVISIONS			
P	LTR	DESCRIPTION	DATE	DN	APVD		
C1		REVISED PER ECO-11-005140	02APR11	RK	HMR		



RECOMMENDED PRINTED CIRCUIT BOARD LAYOUT COMPONENT SIDE SHOWN



RECOMMENDED PANEL CUTOUT

- MATERIAL:
HOUSING – POLYESTER MOLDING COMPOUND, COLOR: BLACK
TERMINALS – 0.35[.0138] THICK PHOS BRONZE PLATED WITH 1.27µm[.000050] MIN THICK GOLD IN LOCALIZED AREA AND 3.81µm[.000150] MIN THICK MATTE TIN IN SOLDER AREA OVER 1.27µm[.000050] MIN THICK NICKEL UNDERPLATE
SHIELD – COPPER ZINC ALLOY PLATED WITH 3.0µm [.000120] MIN THICK REFLOWED TIN.

2 CAVITY CONFORMS TO FCC RULES AND REGULATIONS PART 68 AND REA BULLETIN 345-81, PE-76 SPECIFICATION FOR MODULAR TELEPHONE HARDWARE.

5557730-1
PART NUMBER

THIS DRAWING IS A CONTROLLED DOCUMENT.		DIN 0. STRAUSSER/LA. MAYER 22APR2005		STE TE Connectivity	
DIMENSIONS: mm [INCHES]		CHK: J. WESTMAN 22APR2005		NAME: S. FLICKINGER 22APR2005	
TOLERANCES UNLESS OTHERWISE SPECIFIED:		APVD: S. FLICKINGER 22APR2005		PRODUCT SPEC: 108-1163	
0 PLC ± -		NAME: MODULAR JACK ASSEMBLY, TOP ENTRY, 8 POSITION, FLANGELESS, SHIELDED, KEYED WITH PANEL STOPS, PANEL AND PCB GROUNDS		APPLICATION SPEC: 114-2048	
1 PLC ± -		SIZE: A1		CAGE CODE: 00779	
2 PLC ± -		DRAWING NO: 5557730		WEIGHT: -	
3 PLC ± 0.13(.005)		SCALE: 4:1		SHEET: 1 OF 1	
4 PLC ± -		REV: C1		CUSTOMER DRAWING	
ANGLES ± -					
MATERIAL: SEE NOTE 1		FINISH: SEE NOTE 1			