



Chipsmall Limited consists of a professional team with an average of over 10 year of expertise in the distribution of electronic components. Based in Hongkong, we have already established firm and mutual-benefit business relationships with customers from,Europe,America and south Asia,supplying obsolete and hard-to-find components to meet their specific needs.

With the principle of "Quality Parts,Customers Priority,Honest Operation,and Considerate Service",our business mainly focus on the distribution of electronic components. Line cards we deal with include Microchip,ALPS,ROHM,Xilinx,Pulse,ON,Everlight and Freescale. Main products comprise IC,Modules,Potentiometer,IC Socket,Relay,Connector.Our parts cover such applications as commercial,industrial, and automotives areas.

We are looking forward to setting up business relationship with you and hope to provide you with the best service and solution. Let us make a better world for our industry!



Contact us

Tel: +86-755-8981 8866 Fax: +86-755-8427 6832

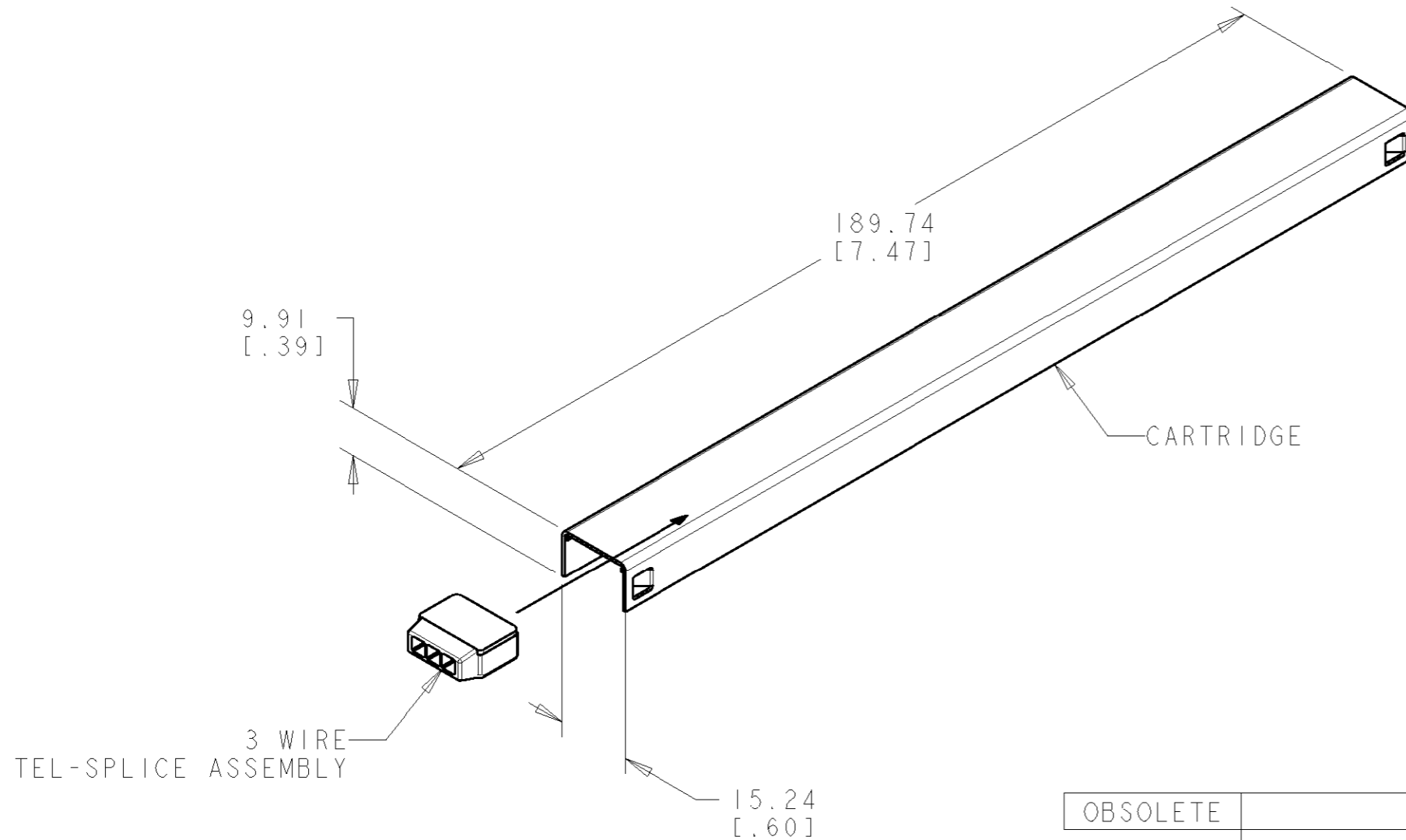
Email & Skype: info@chipsmall.com Web: www.chipsmall.com

Address: A1208, Overseas Decoration Building, #122 Zhenhua RD., Futian, Shenzhen, China



THIS DRAWING IS UNPUBLISHED. RELEASED FOR PUBLICATION 20
 © COPYRIGHT 20 BY TYCO ELECTRONICS CORPORATION. ALL RIGHTS RESERVED.

LOC	DIST	REVISIONS					
		P	LTR	DESCRIPTION	DATE	DWN	APVD
HM	00		J	ECO-06-003885	06MAR2006	JM	NJ
			K	ECO-06-019827	04OCT2006	JM	NJ
			L	REV; ECO-07-011012	14MAY2007	GG	NJ



- ALL DIMENSIONS SHOWN ARE NOMINAL UNLESS OTHERWISE SPECIFIED.
- MATERIAL: HOUSING - POLYPROPYLENE, CLEAR OR YELLOW.
TERMINAL - TIN PLATED PHOSPHOR BRONZE.
CARTRIDGE - RIGID PVC.
- WIRE RANGE: 19-26 AWG SOLID COPPER CONDUCTORS.
- TEL-SPLICE ASSEMBLIES WITHOUT SEALANT (UNFILLED) SHALL BE YELLOW.

OBSOLETE		DESCRIPTION	PART NUMBER
	10	FILLED	555790-3
	14	UNFILLED $\triangle 4$	555790-2
	14	FILLED	555790-1

<small>THIS DRAWING IS A CONTROLLED DOCUMENT FOR TYCO ELECTRONICS CORPORATION IT IS SUBJECT TO CHANGE AND THE CONTROLLING ENGINEERING ORGANIZATION SHOULD BE CONTACTED FOR THE LATEST REVISION.</small>		DWN G. GARRETT 27AUG02 CHR L. SMITH 27AUG02 APVD A. KINKA 27AUG02	tyco Electronics Tyco Electronics Harrisburg, PA 17105-3608
DIMENSIONS: MM [INCHES]	TOLERANCES UNLESS OTHERWISE SPECIFIED:	PRODUCT SPEC APPLICATION SPEC	NAME SINGLE CARTRIDGE ASSEMBLY, 3 WIRE, TEL-SPLICE
	0 PLC ± 1 PLC ± 2 PLC ± 3 PLC ± 4 PLC ± ANGLES ±	WEIGHT -	SIZE A3 CAGE CODE 00779 DRAWING NO C=555791 RESTRICTED TO -
MATERIAL - $\triangle 2$	FINISH - $\triangle 2$	CUSTOMER DRAWING	SCALE SHEET OF REV L