



Chipsmall Limited consists of a professional team with an average of over 10 year of expertise in the distribution of electronic components. Based in Hongkong, we have already established firm and mutual-benefit business relationships with customers from,Europe,America and south Asia,supplying obsolete and hard-to-find components to meet their specific needs.

With the principle of “Quality Parts,Customers Priority,Honest Operation,and Considerate Service”,our business mainly focus on the distribution of electronic components. Line cards we deal with include Microchip,ALPS,ROHM,Xilinx,Pulse,ON,Everlight and Freescale. Main products comprise IC,Modules,Potentiometer,IC Socket,Relay,Connector.Our parts cover such applications as commercial,industrial, and automotives areas.

We are looking forward to setting up business relationship with you and hope to provide you with the best service and solution. Let us make a better world for our industry!



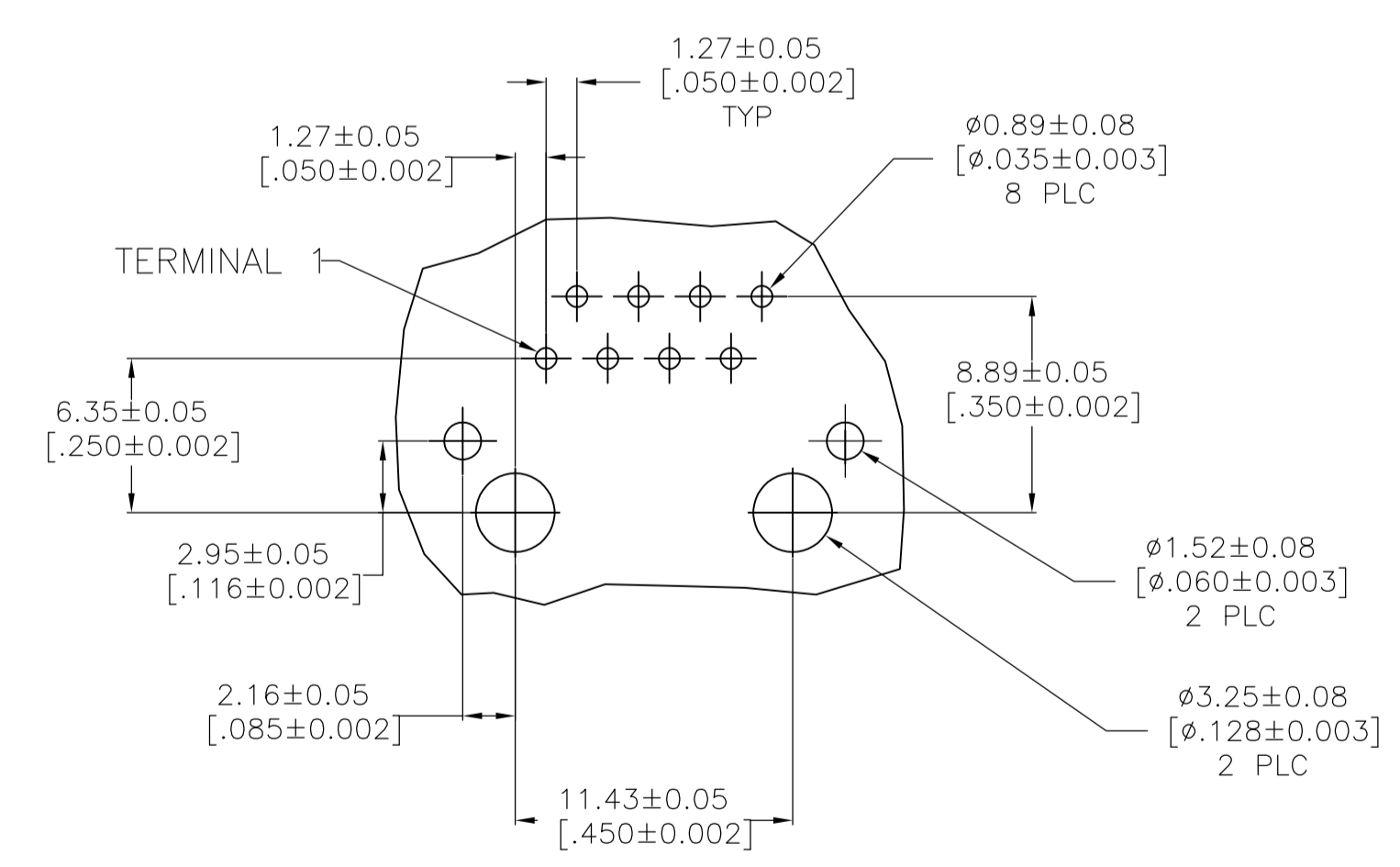
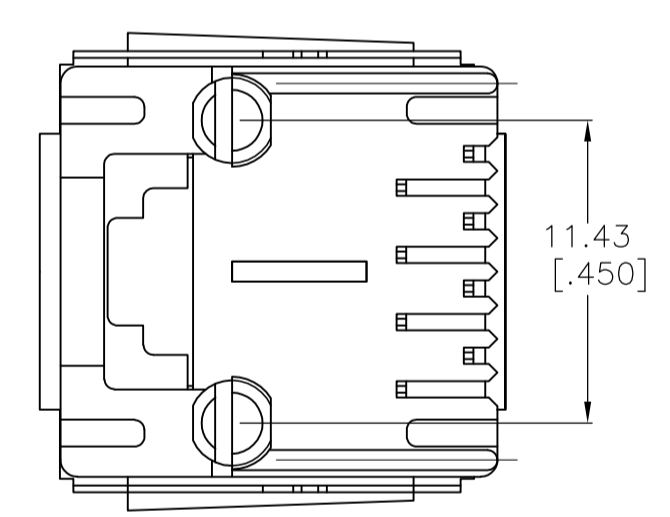
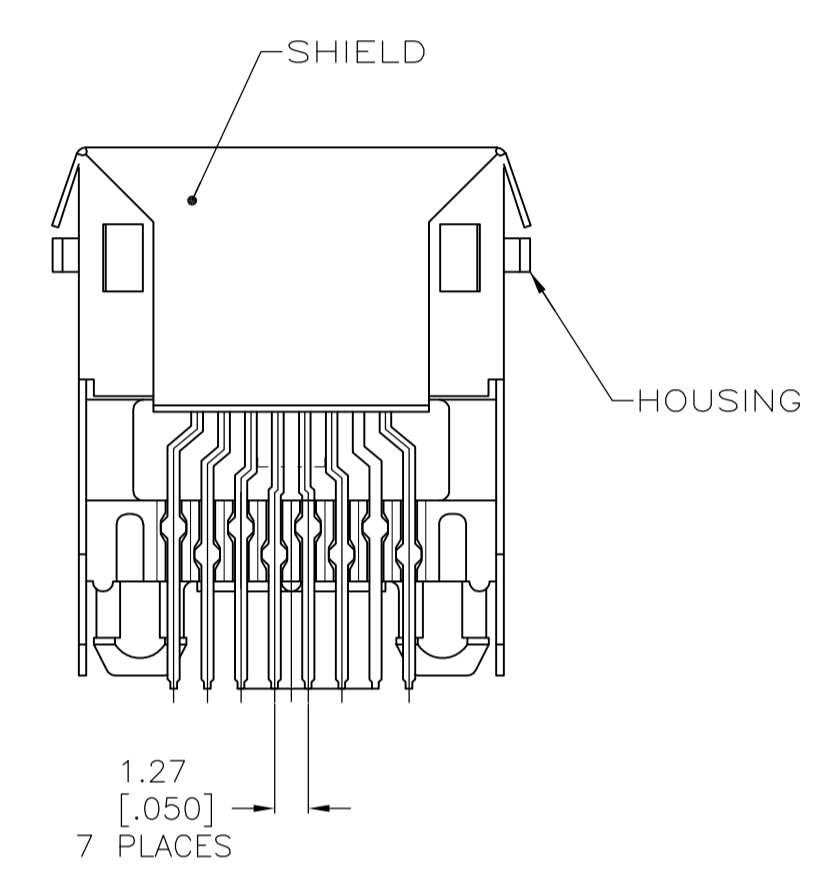
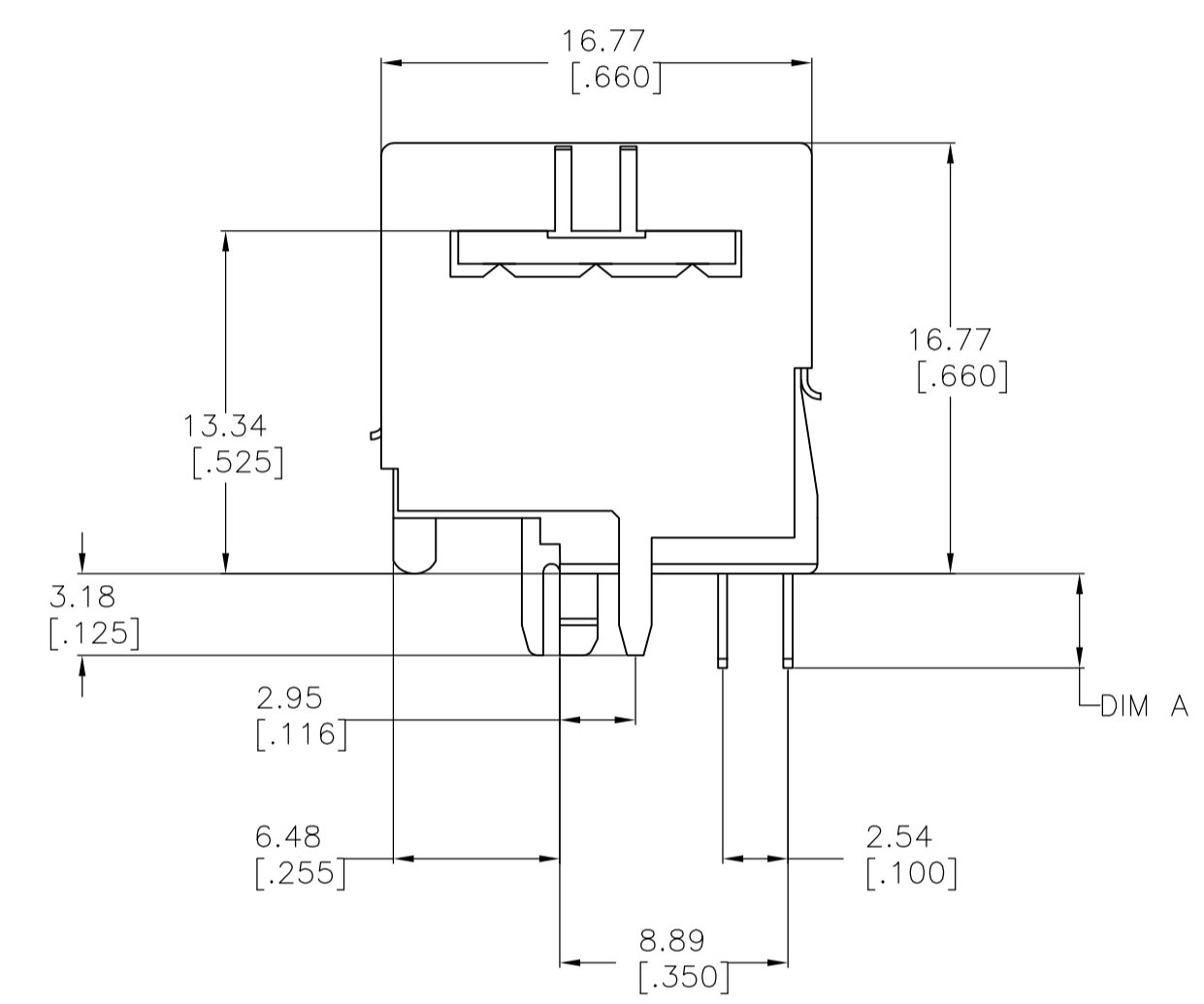
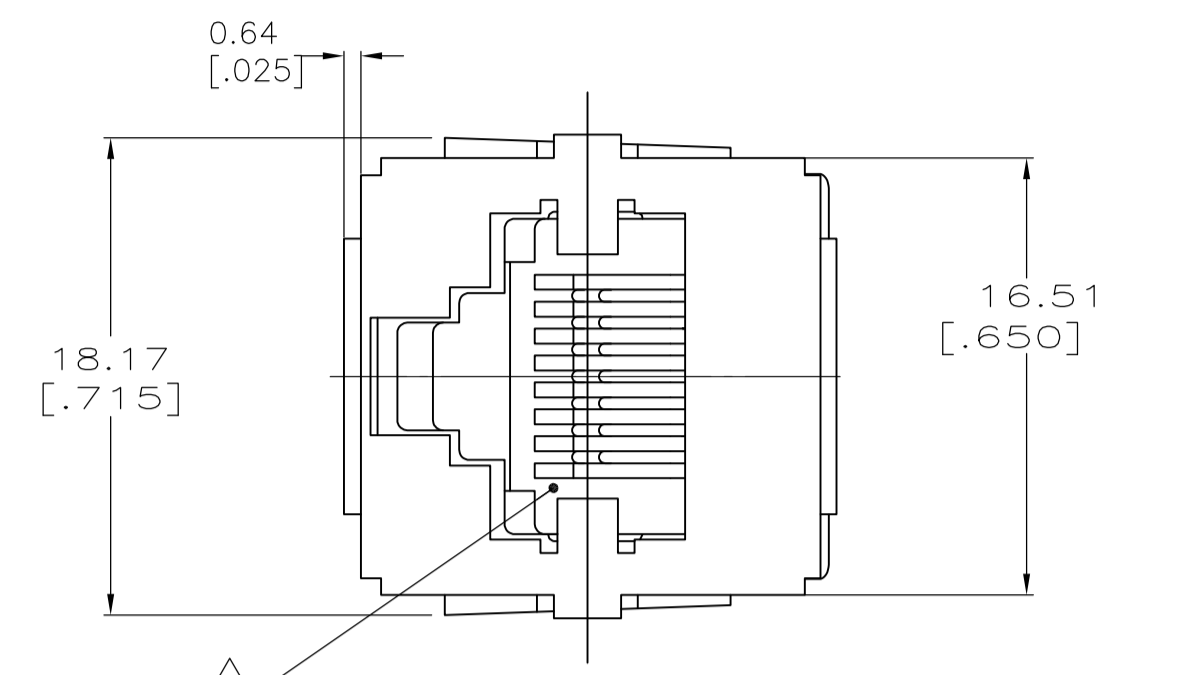
Contact us

Tel: +86-755-8981 8866 Fax: +86-755-8427 6832

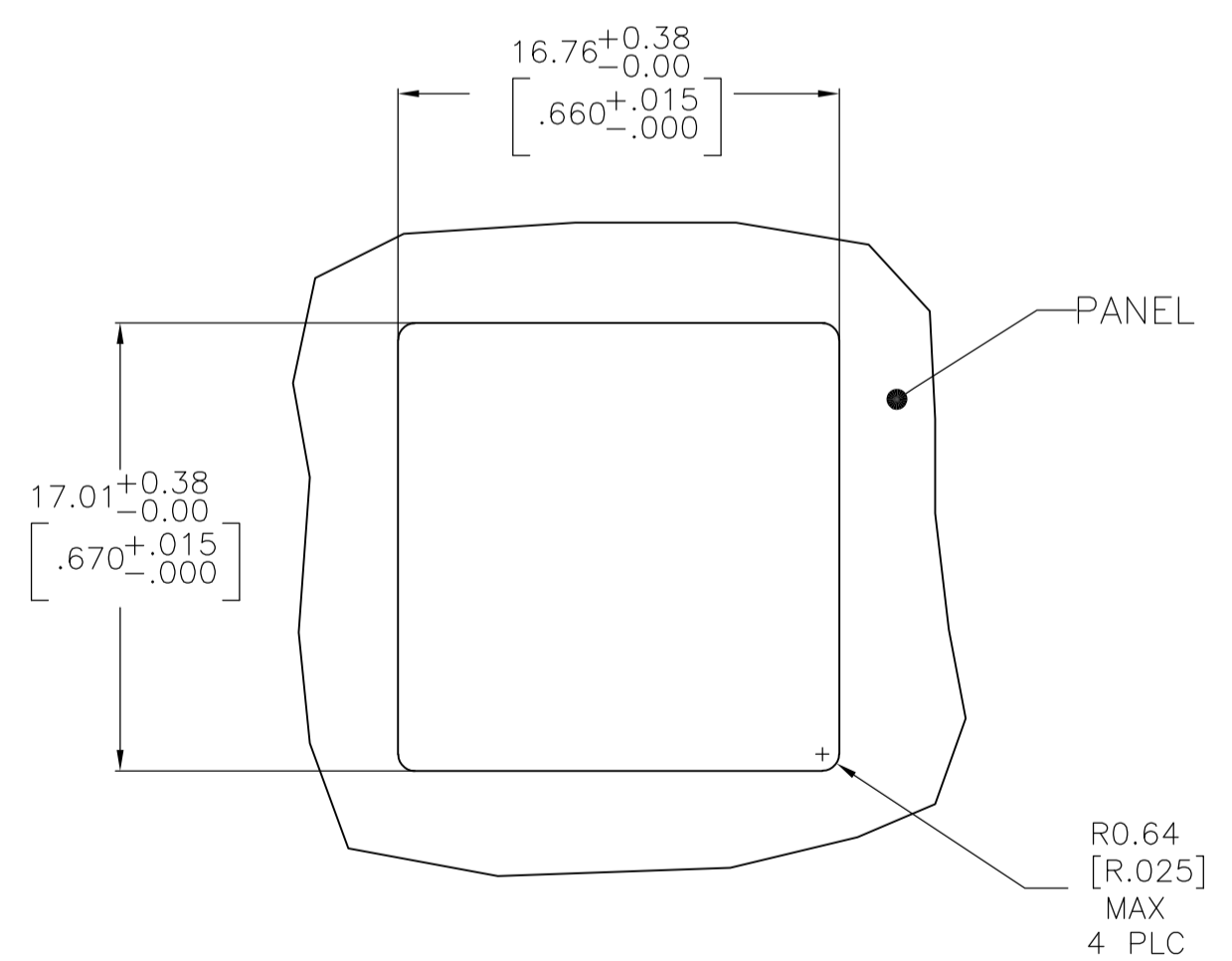
Email & Skype: info@chipsmall.com Web: www.chipsmall.com

Address: A1208, Overseas Decoration Building, #122 Zhenhua RD., Futian, Shenzhen, China





RECOMMENDED PRINTED
CIRCUIT BOARD LAYOUT
COMPONENT SIDE SHOWN



RECOMMENDED PANEL
CUTOUT

- MATERIAL:
HOUSING – POLYESTER MOLDING COMPOUND, COLOR: BLACK
TERMINALS – 0.35[.0138] THICK PHOS BRONZE PLATED WITH 1.27µm[.000050] MIN THICK GOLD IN LOCALIZED AREA AND 3.81µm[.000150] MIN THICK MATTE TIN IN SOLDER AREA OVER 1.27µm[.000050] MIN THICK NICKEL UNDERPLATE
SHIELD – COPPER ZINC ALLOY PLATED WITH 3.0µm [.000120] MIN THICK REFLOWED TIN.

2 CAVITY CONFORMS TO FCC RULES AND REGULATIONS PART 68 AND REA BULLETIN 345-81, PE-76 SPECIFICATION FOR MODULAR TELEPHONE HARDWARE.

2.79-3.30 [.120±.010]	5557969-2
2.79-3.56 [.125±.015]	5557969-1
DIM A	PART NUMBER

THIS DRAWING IS A CONTROLLED DOCUMENT.		DIN A FERNANDEZ-DOCKS 06JUN2005		STE TE Connectivity	
DIMENSIONS: mm [INCHES]		CIRK J. WESTMAN 06JUN2005		APVD S. FLICKINGER 06JUN2005	
TOLERANCES UNLESS OTHERWISE SPECIFIED:		NAME		MODULAR JACK ASSEMBLY, TOP ENTRY, 8 POSITION, FLANGELESS, SHIELDED, WITH PANEL	
0 PLC ± -		PRODUCT SPEC		108-1163	
1 PLC ± -		APPLICATION SPEC		114-2048	
2 PLC ± 0.13[.005]		SIZE		A1	
3 PLC ± -		CAGE CODE		00779	
4 PLC ± -		DRAWING NO		5557969	
ANGLES ± -		WEIGHT		-	
MATERIAL SEE NOTE 1		FINISH SEE NOTE 1		CUSTOMER DRAWING	
		SCALE		4:1	
		SHEET		1 OF 1	
		REV		D1	