



Chipsmall Limited consists of a professional team with an average of over 10 year of expertise in the distribution of electronic components. Based in Hongkong, we have already established firm and mutual-benefit business relationships with customers from,Europe,America and south Asia,supplying obsolete and hard-to-find components to meet their specific needs.

With the principle of “Quality Parts,Customers Priority,Honest Operation,and Considerate Service”,our business mainly focus on the distribution of electronic components. Line cards we deal with include Microchip,ALPS,ROHM,Xilinx,Pulse,ON,Everlight and Freescale. Main products comprise IC,Modules,Potentiometer,IC Socket,Relay,Connector.Our parts cover such applications as commercial,industrial, and automotives areas.

We are looking forward to setting up business relationship with you and hope to provide you with the best service and solution. Let us make a better world for our industry!



## Contact us

Tel: +86-755-8981 8866 Fax: +86-755-8427 6832

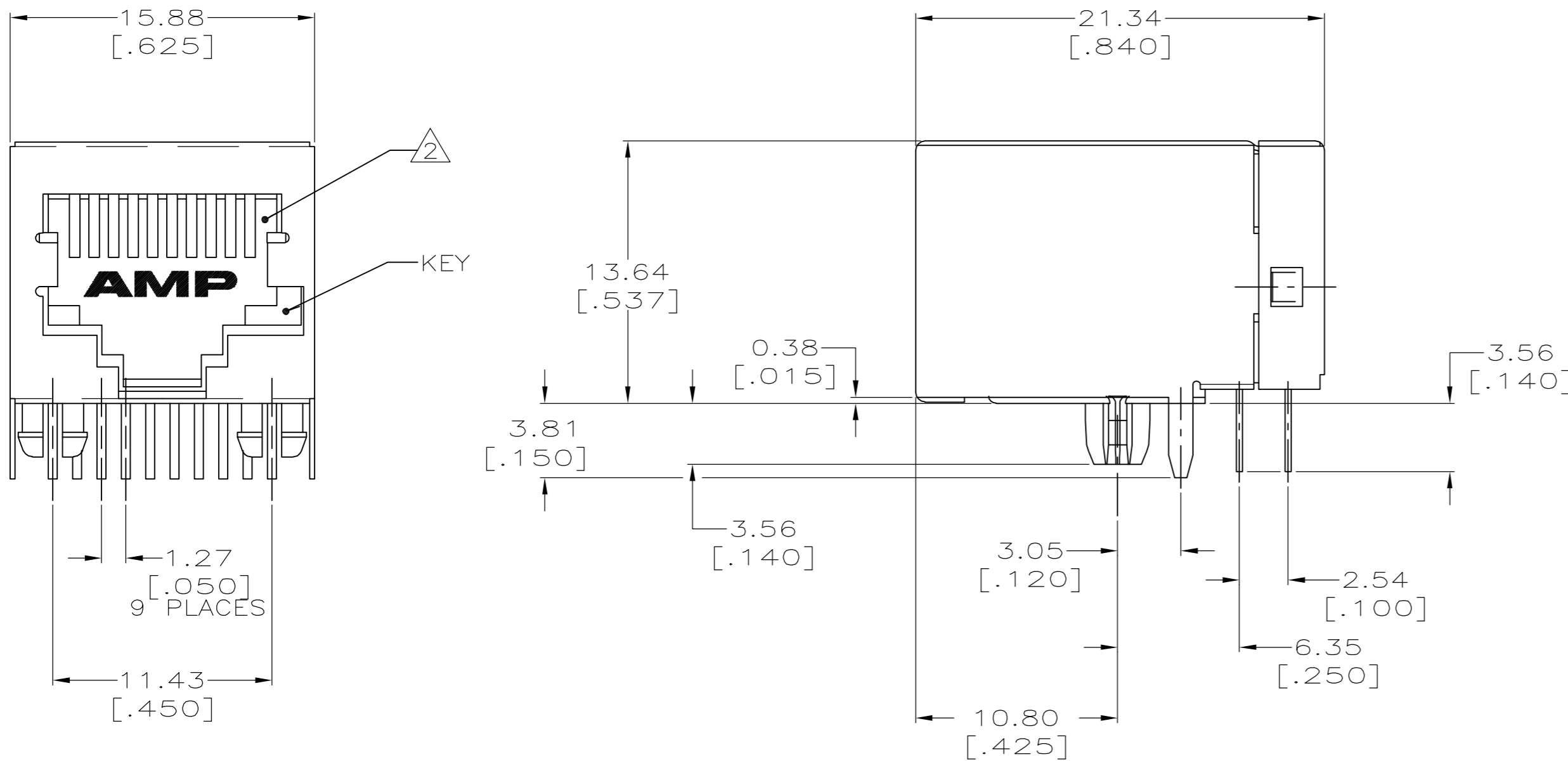
Email & Skype: info@chipsmall.com Web: www.chipsmall.com

Address: A1208, Overseas Decoration Building, #122 Zhenhua RD., Futian, Shenzhen, China

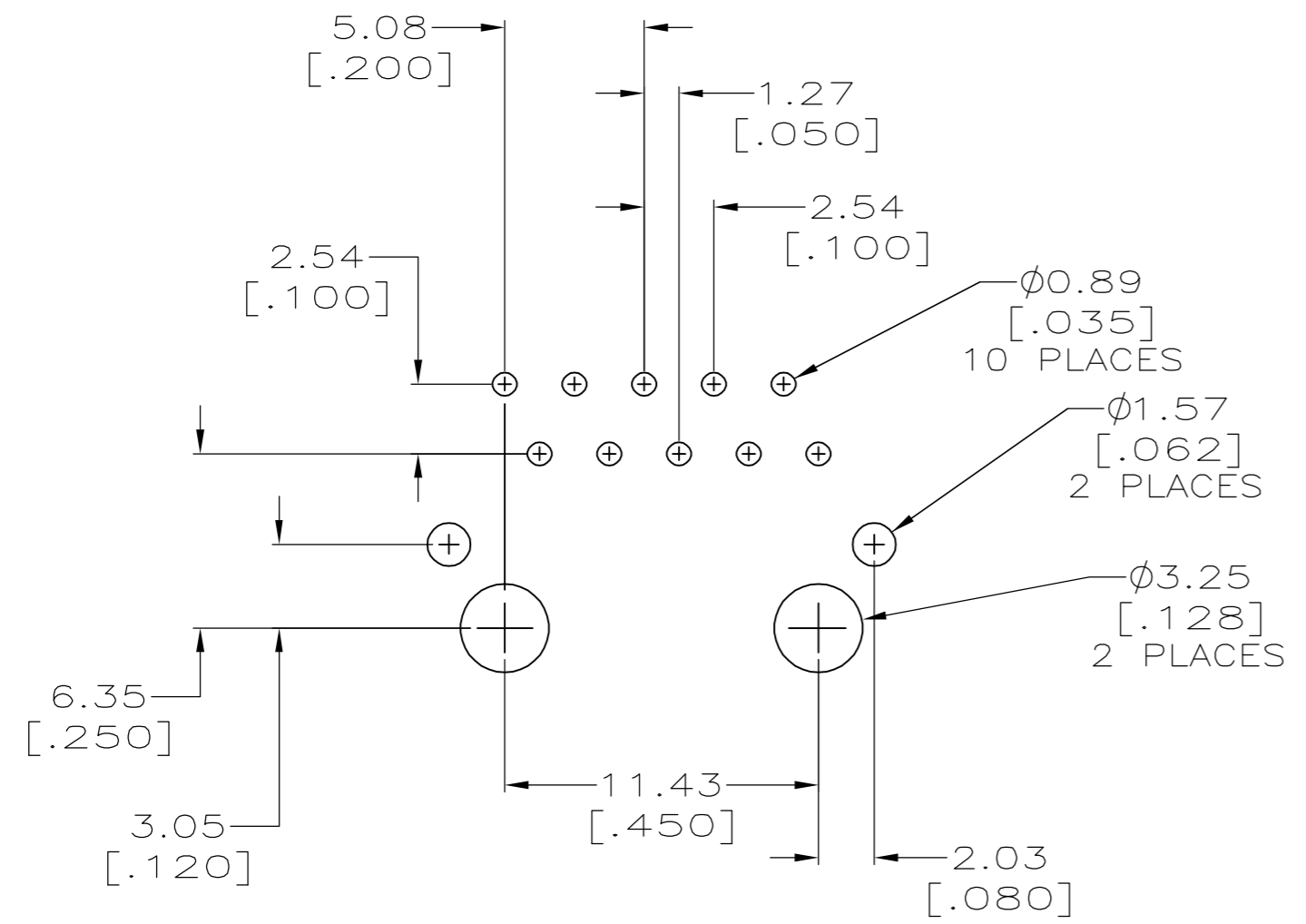


THIS DRAWING IS UNPUBLISHED. RELEASED FOR PUBLICATION  
 © COPYRIGHT BY TYCO ELECTRONICS CORPORATION. ALL RIGHTS RESERVED.

LOC	DIST	REVISIONS			
P	LTR	DESCRIPTION	DATE	DWN	APVD
AA	22				
A		REV PER EC 0S11-0201-04	07JUN2005	AF	SF



1. MATERIALS:  
 HOUSING—PCT POLYESTER, BLACK, IR REFLOW COMPATIBLE, UL 94V-0.  
 TERMINALS 0.33 [.013] THICK PHOS BRONZE PLATED WITH 1.27μm [.000050] MIN THICK HARD GOLD IN LOCALIZED AREA AND 3.81μm [.000150] MIN THICK MATTE TIN IN SOLDER AREA OVER 1.27μm [.000050] MINIMUM THICK NICKEL UNDERPLATE.  
 SHIELD—0.25 [.010] THICK COPPER ALLOY PLATED WITH 2.03μm [.000080] MINIMUM THICK TIN OVER 1.27 μm [.000050] MINIMUM THICK NICKEL.
2. JACK CAVITY CONFORMS TO FCC RULES AND REGULATIONS, PART 68 SUBPART F.
3. DIMENSIONS ARE NOMINAL UNLESS OTHERWISE SPECIFIED.



SUGGESTED PC BOARD LAYOUT  
 VIEW SHOWN IS TOP (COMPONENT SIDE) OF PC BOARD

5558068-1  
 PART NO

THIS DRAWING IS A CONTROLLED DOCUMENT.		DWN A. FERNANDEZ-DOCK5 07JUN2005	tyco Electronics		Tyco Electronics Corporation Harrisburg, Pa 17105-3608	
DIMENSIONS: INCHES		CHK J. WESTMAN 07JUN2005	NAME S. FLICKINGER		MODULAR JACK ASSEMBLY, 10 POSITION, KEYED, SIDE ENTRY, LOW PROFILE, FULLY SHIELDED, PRINTED CIRCUIT GROUND	
TOLERANCES UNLESS OTHERWISE SPECIFIED:		APVD S. FLICKINGER 07JUN2005	PRODUCT SPEC		RESTRICTED TO	
0 PLC ± -		APPLICATION SPEC		SIZE A2		
1 PLC ± -		WEIGHT		CAGE CODE -		
2 PLC ± -		CUSTOMER DRAWING		DRAWING NO C=5558068		
3 PLC ± 0.13 [.005]		SCALE 1:1		SHEET 1 OF 1		
4 PLC ± -		REV A				
ANGLES ± -						
FINISH						