



Chipsmall Limited consists of a professional team with an average of over 10 year of expertise in the distribution of electronic components. Based in Hongkong, we have already established firm and mutual-benefit business relationships with customers from,Europe,America and south Asia,supplying obsolete and hard-to-find components to meet their specific needs.

With the principle of "Quality Parts,Customers Priority,Honest Operation,and Considerate Service",our business mainly focus on the distribution of electronic components. Line cards we deal with include Microchip,ALPS,ROHM,Xilinx,Pulse,ON,Everlight and Freescale. Main products comprise IC,Modules,Potentiometer,IC Socket,Relay,Connector.Our parts cover such applications as commercial,industrial, and automotives areas.

We are looking forward to setting up business relationship with you and hope to provide you with the best service and solution. Let us make a better world for our industry!



## Contact us

Tel: +86-755-8981 8866 Fax: +86-755-8427 6832

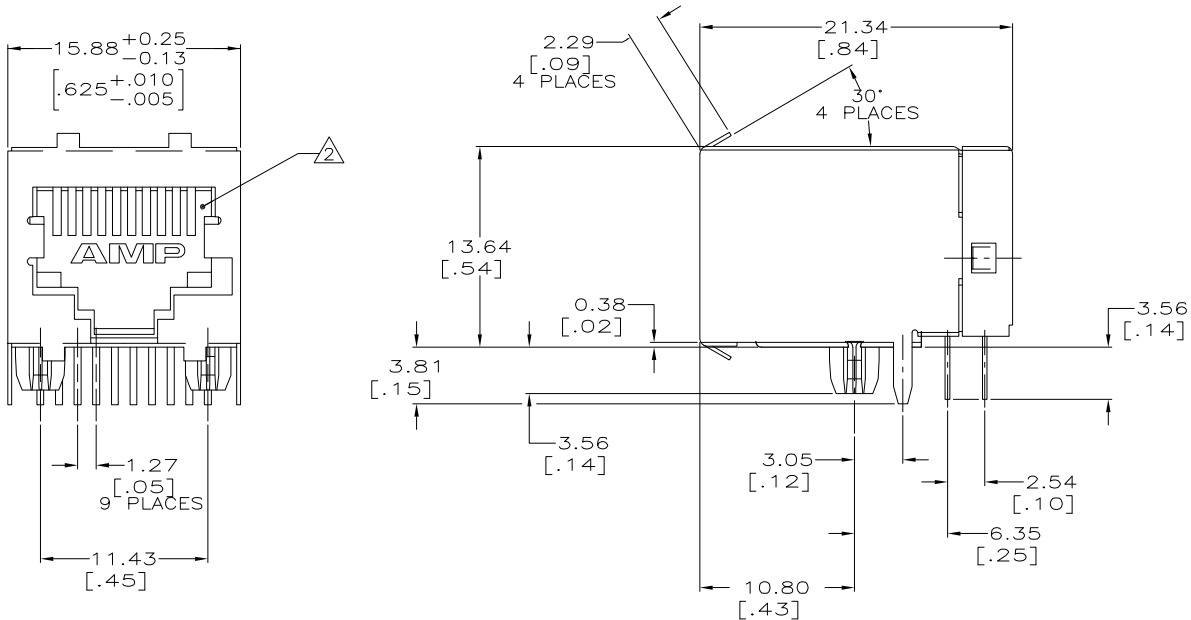
Email & Skype: info@chipsmall.com Web: www.chipsmall.com

Address: A1208, Overseas Decoration Building, #122 Zhenhua RD., Futian, Shenzhen, China



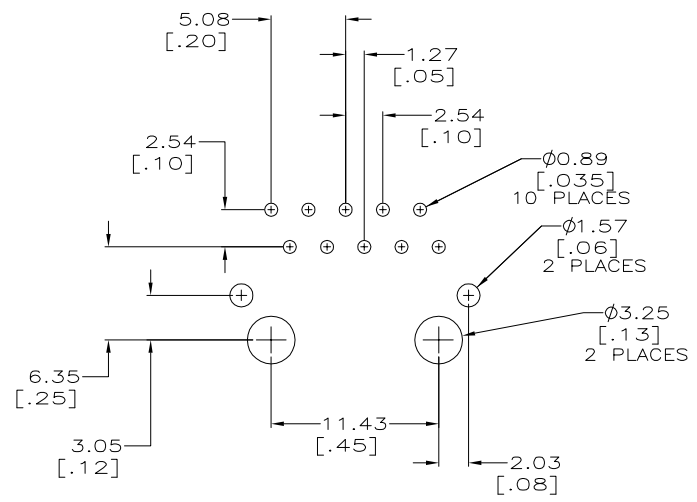
THIS DRAWING IS UNPUBLISHED. RELEASED FOR PUBLICATION  
 BY TYCO ELECTRONICS CORPORATION. ALL RIGHTS RESERVED.

LOC	DIST	REVISIONS				
P	LTR	DESCRIPTION	DATE	OWN	APVD	
AA	22	B1	REV PER ECR-09-004284	16APR2009	TY SY	

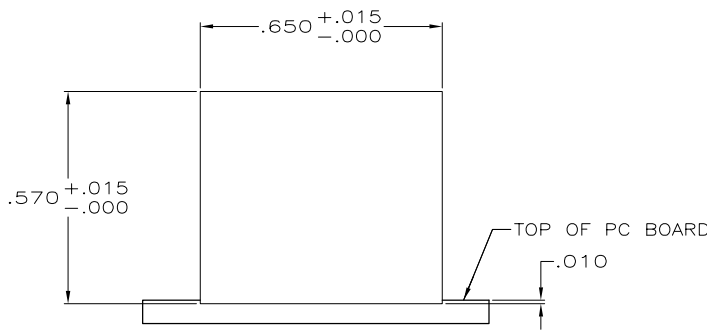


1. MATERIALS:  
 HOUSING - PCT POLYESTER, BLACK, IR REFLOW COMPATIBLE, UL 94V-0.  
 TERMINALS 0.33 [.013] THICK PHOS BRONZE PLATED WITH 1.27µm [.000050] HARD GOLD IN LOCALIZED AREA AND 3.81µm [.000150] MATTE TIN IN SOLDER AREA OVER 1.27µm [.000050] MINIMUM THICK NICKEL UNDERPLATE.  
 SHIELD - 0.25 [.010] THICK COPPER ALLOY PLATED WITH 1.27µm [.000050] MINIMUM NICKEL AND 2.03 µm [.000080] MINIMUM HOT TIN DIP ON PCB GROUND TABS.

△ JACK CAVITY CONFORMS TO FCC RULES AND REGULATIONS, PART 68 SUBPART F.



SUGGESTED PC BOARD LAYOUT  
 VIEW SHOWN IS TOP (COMPONENT SIDE) OF PC BOARD



SUGGESTED PANEL CUTOUT

5558070-1  
 PART NUMBER

THIS DRAWING IS A CONTROLLED DOCUMENT.		DWN S. MAYBERRY/A. MAYER	25MAY2005	Tyco Electronics Corporation Harrisburg, Pa 17105-3608
DIMENSIONS: mm		CHK J. WESTMAN	25MAY2005	
TOLERANCES UNLESS OTHERWISE SPECIFIED:		APVD S. FLICKINGER	25MAY2005	NAME
0 PLC ± -		PRODUCT SPEC		MODULAR JACK ASSEMBLY, 10 POSITION SIDE ENTRY, LOW PROFILE, FULLY SHIELDED, PANEL GROUND
1 PLC ± -		108-1163		
2 PLC ± 0.25[.01]		APPLICATION SPEC		SIZE
3 PLC ± 0.13[.005]		114-2048		CAGE CODE
4 PLC ± -		FINISH		DRAWING NO
ANGLES ± -		WEIGHT		RESTRICTED TO
MATERIAL		SEE NOTE 1		A2 00779 C=5558070
SEE NOTE 1		SEE NOTE 1		CUSTOMER DRAWING
		SCALE		4:1
		SHEET		1 of 1
		REV		B1