



Chipsmall Limited consists of a professional team with an average of over 10 year of expertise in the distribution of electronic components. Based in Hongkong, we have already established firm and mutual-benefit business relationships with customers from,Europe,America and south Asia,supplying obsolete and hard-to-find components to meet their specific needs.

With the principle of “Quality Parts,Customers Priority,Honest Operation,and Considerate Service”,our business mainly focus on the distribution of electronic components. Line cards we deal with include Microchip,ALPS,ROHM,Xilinx,Pulse,ON,Everlight and Freescale. Main products comprise IC,Modules,Potentiometer,IC Socket,Relay,Connector.Our parts cover such applications as commercial,industrial, and automotives areas.

We are looking forward to setting up business relationship with you and hope to provide you with the best service and solution. Let us make a better world for our industry!



## Contact us

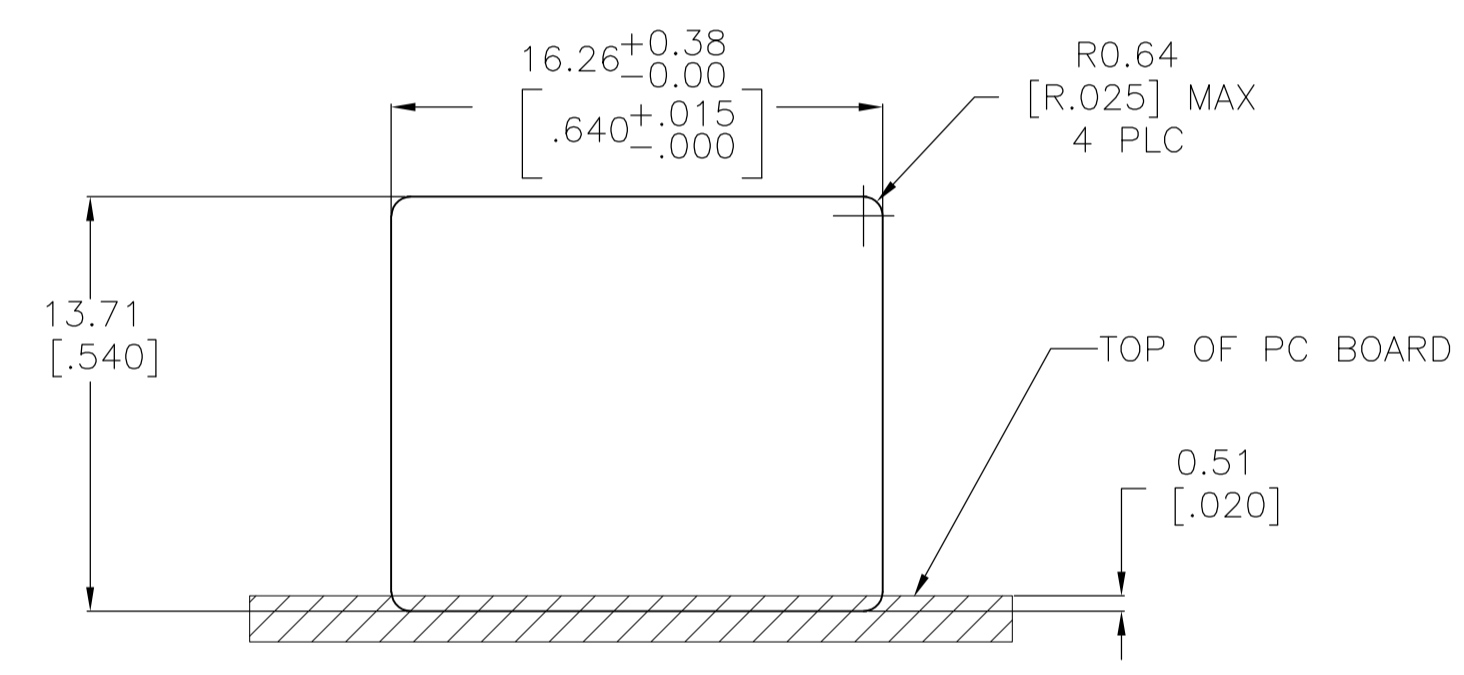
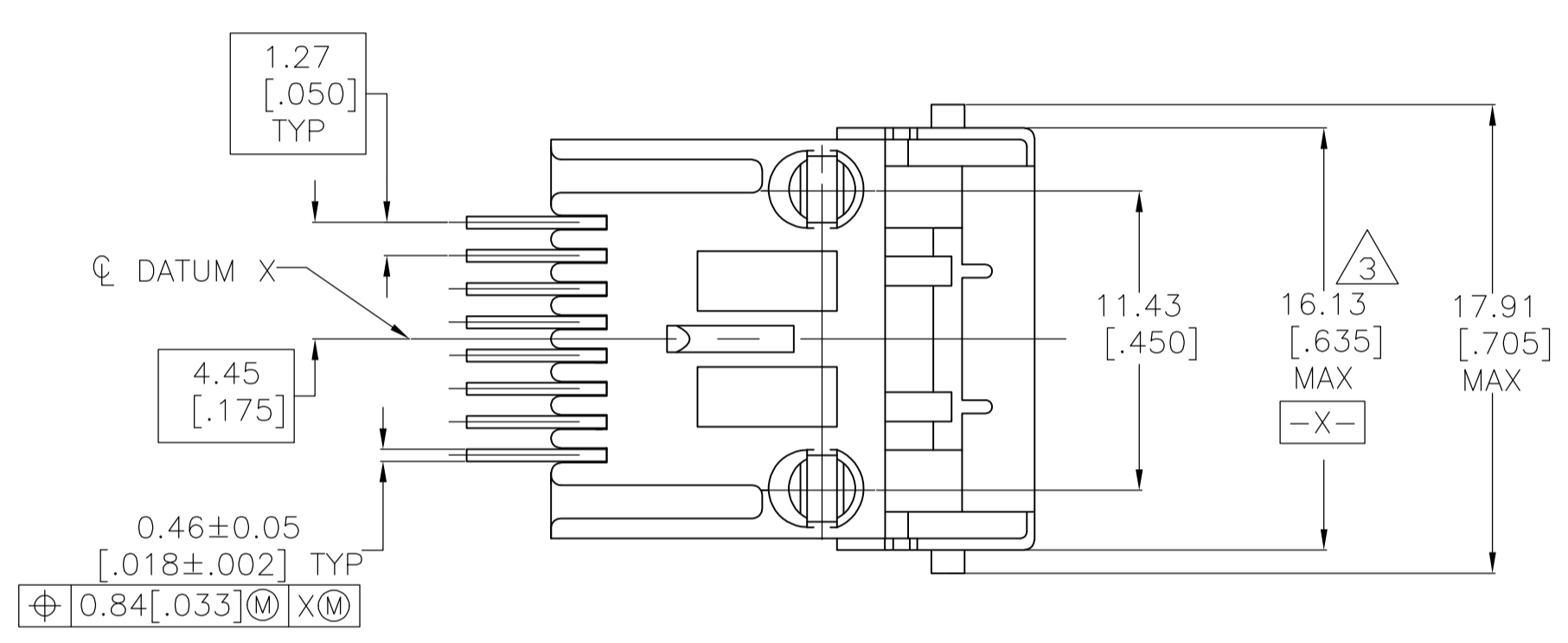
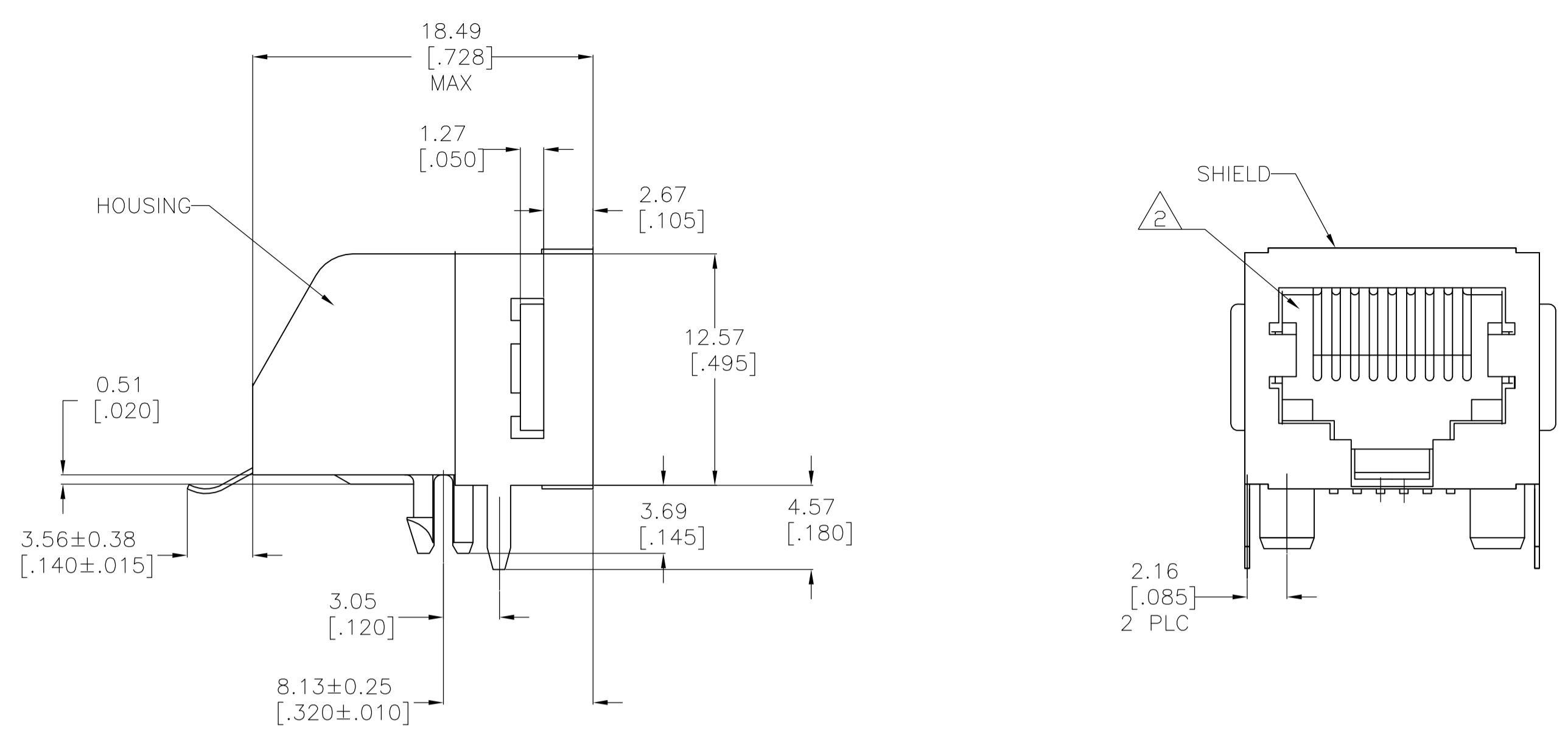
Tel: +86-755-8981 8866 Fax: +86-755-8427 6832

Email & Skype: info@chipsmall.com Web: www.chipsmall.com

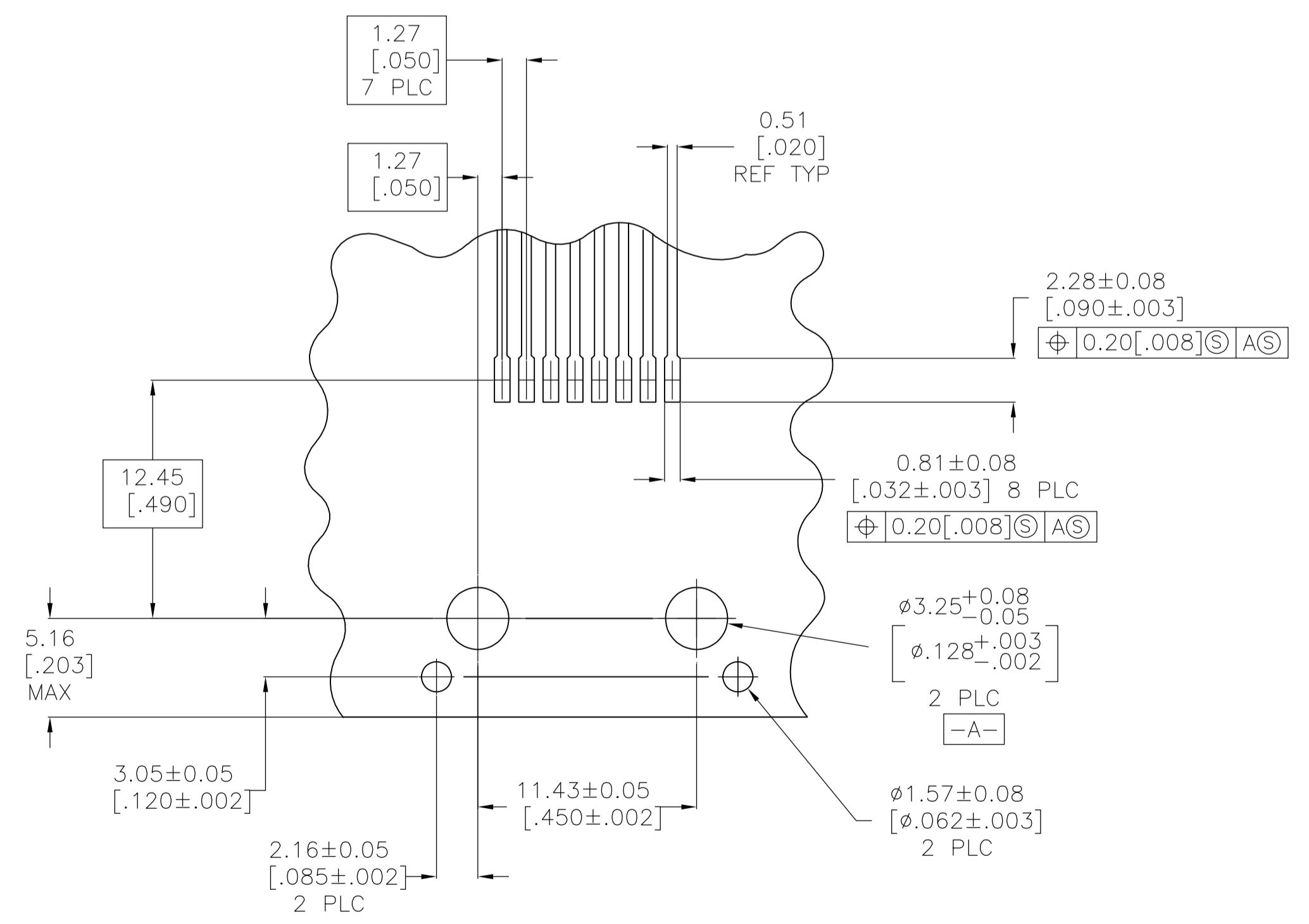
Address: A1208, Overseas Decoration Building, #122 Zhenhua RD., Futian, Shenzhen, China



LOC		DIST		REVISIONS			
P	LTR	DATE	DMN	APVD			
D1	REVISED PER ECO-11-005140	28MAR11	RK	HMR			



RECOMMENDED PANEL CUTOUT



RECOMMENDED PRINTED CIRCUIT BOARD LAYOUT (COMPONENT SIDE)

- MATERIAL:  
HOUSING - HTN NYLON MOLDING COMPOUND, 94 VO, COLOR: BLACK  
TERMINAL - 0.36[.014] THICK PHOS-BRONZE  
PLATED WITH 1.27µm[.000050] MINIMUM THICK HARD GOLD IN LOCALIZED GOLD PLATE AREA AND 3.81µm[.000150] MINIMUM THICK MATTE TIN IN SOLDER AREA OVER 1.27µm[.000050] THICK MINIMUM NICKEL UNDERPLATE.  
SHIELD - 0.25[.010] THICK COPPER ALLOY PLATED WITH 3.0µm[.000120] MINIMUM REFLOWED TIN
- CAVITY CONFORMS TO FCC RULES AND REGULATIONS, PART 68, SUBPART F
- DIMENSION MEASURED ALONG FRONT EDGES OF MATING FACE
- PACKAGING TAPE AND REEL: (PER EIA 481 SPECIFICATION)  
TAPE: 44[1.73] WIDE  
POCKET DEPTH: 17.65[.695]  
POCKET PITCH: 32[1.26]  
CLEAR PSA TAPE TRAILER 160[6.30] MIN LENGTH  
PLASTIC REEL DIA 330[13.0]  
PIECES PER REEL: 100
- SNAP-IN RETENTION FEATURE ACCOMMODATES 1.44-1.71 [.062±.005] THICK PRINTED CIRCUIT BOARD.

SUPERSEDED BY -1	TAPE & REEL	5558178-2
	TRAY	5558178-1
	PACKAGING TYPE	PART NUMBER

THIS DRAWING IS A CONTROLLED DOCUMENT.		DIN R GRZYBOWSKI 08NOV2004	STE TE Connectivity	
DIMENSIONS: mm [INCHES]		CHK J WESTMAN 08NOV2004	NAME	
TOLERANCES UNLESS OTHERWISE SPECIFIED:		APVD S FLICKINGER 08NOV2004	MODULAR JACK ASSEMBLY, 8 POSITION, RIGHT ANGLE, SURFACE MOUNTING, SHIELDED, LOW PROFILE, PRINTED	
0 PLC ± -	1 PLC ± -	PRODUCT SPEC	108-1163	
2 PLC ± 0.13[.005]	3 PLC ± -	APPLICATION SPEC	114-6040	
4 PLC ± -	ANGLES ± 1°	SIZE	CAGE CODE	DRAWING NO
MATERIAL SEE NOTE 1	FINISH SEE NOTE 1	WEIGHT	A1 00779	5558178
CUSTOMER DRAWING		SCALE	4:1	SHEET 1 OF 1