



Chipsmall Limited consists of a professional team with an average of over 10 year of expertise in the distribution of electronic components. Based in Hongkong, we have already established firm and mutual-benefit business relationships with customers from,Europe,America and south Asia,supplying obsolete and hard-to-find components to meet their specific needs.

With the principle of “Quality Parts,Customers Priority,Honest Operation,and Considerate Service”,our business mainly focus on the distribution of electronic components. Line cards we deal with include Microchip,ALPS,ROHM,Xilinx,Pulse,ON,Everlight and Freescale. Main products comprise IC,Modules,Potentiometer,IC Socket,Relay,Connector.Our parts cover such applications as commercial,industrial, and automotives areas.

We are looking forward to setting up business relationship with you and hope to provide you with the best service and solution. Let us make a better world for our industry!



Contact us

Tel: +86-755-8981 8866 Fax: +86-755-8427 6832

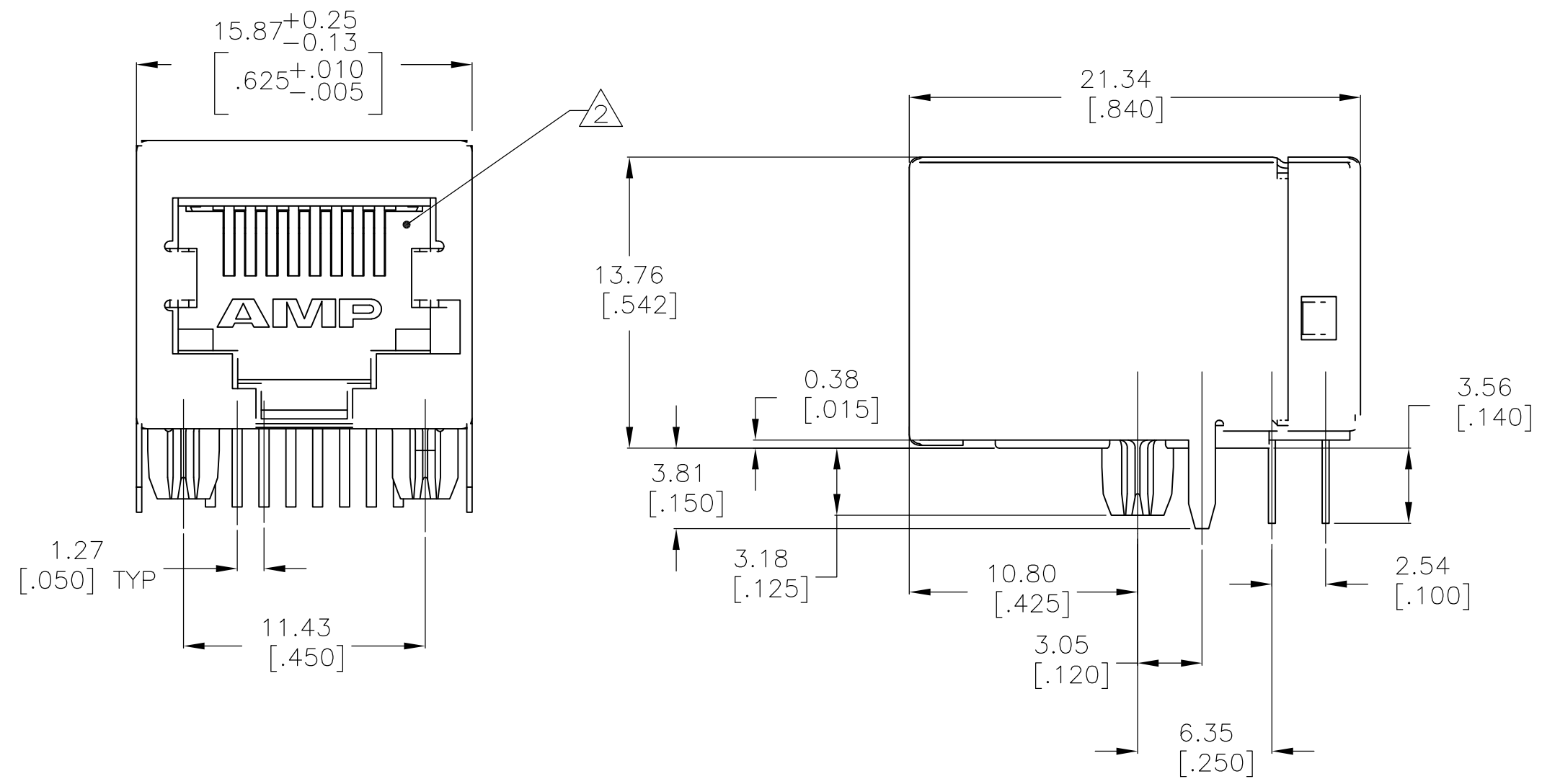
Email & Skype: info@chipsmall.com Web: www.chipsmall.com

Address: A1208, Overseas Decoration Building, #122 Zhenhua RD., Futian, Shenzhen, China

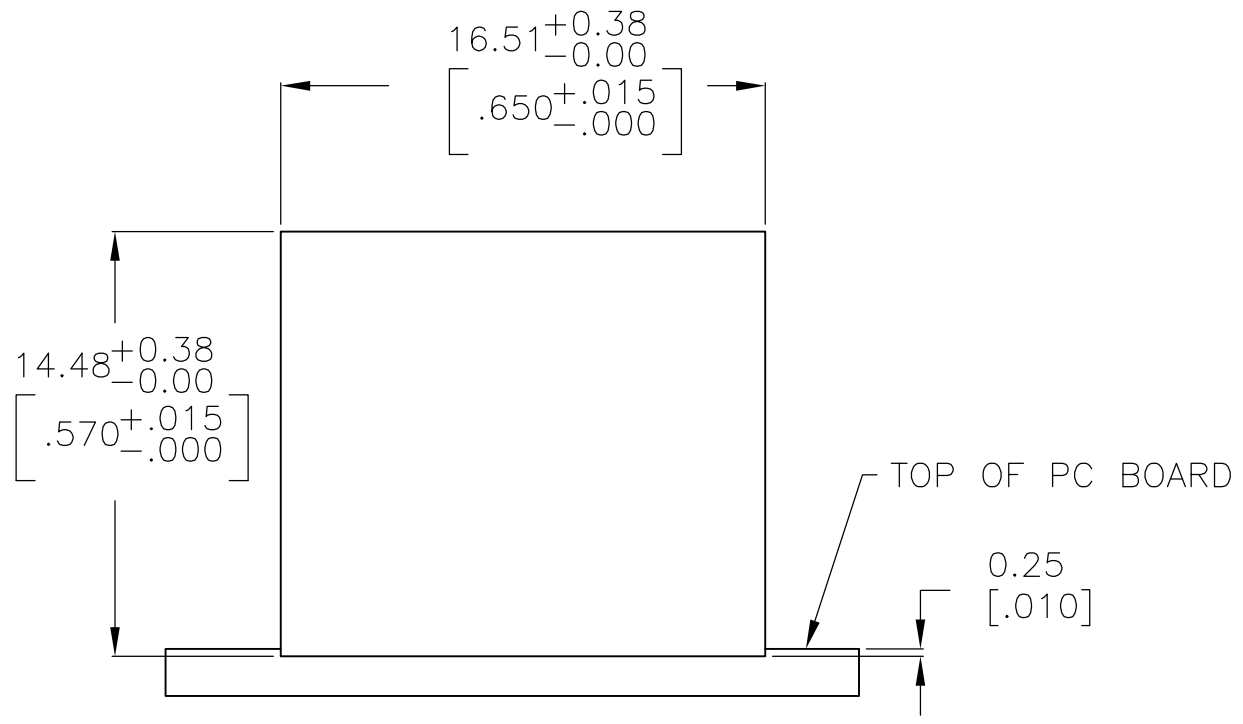
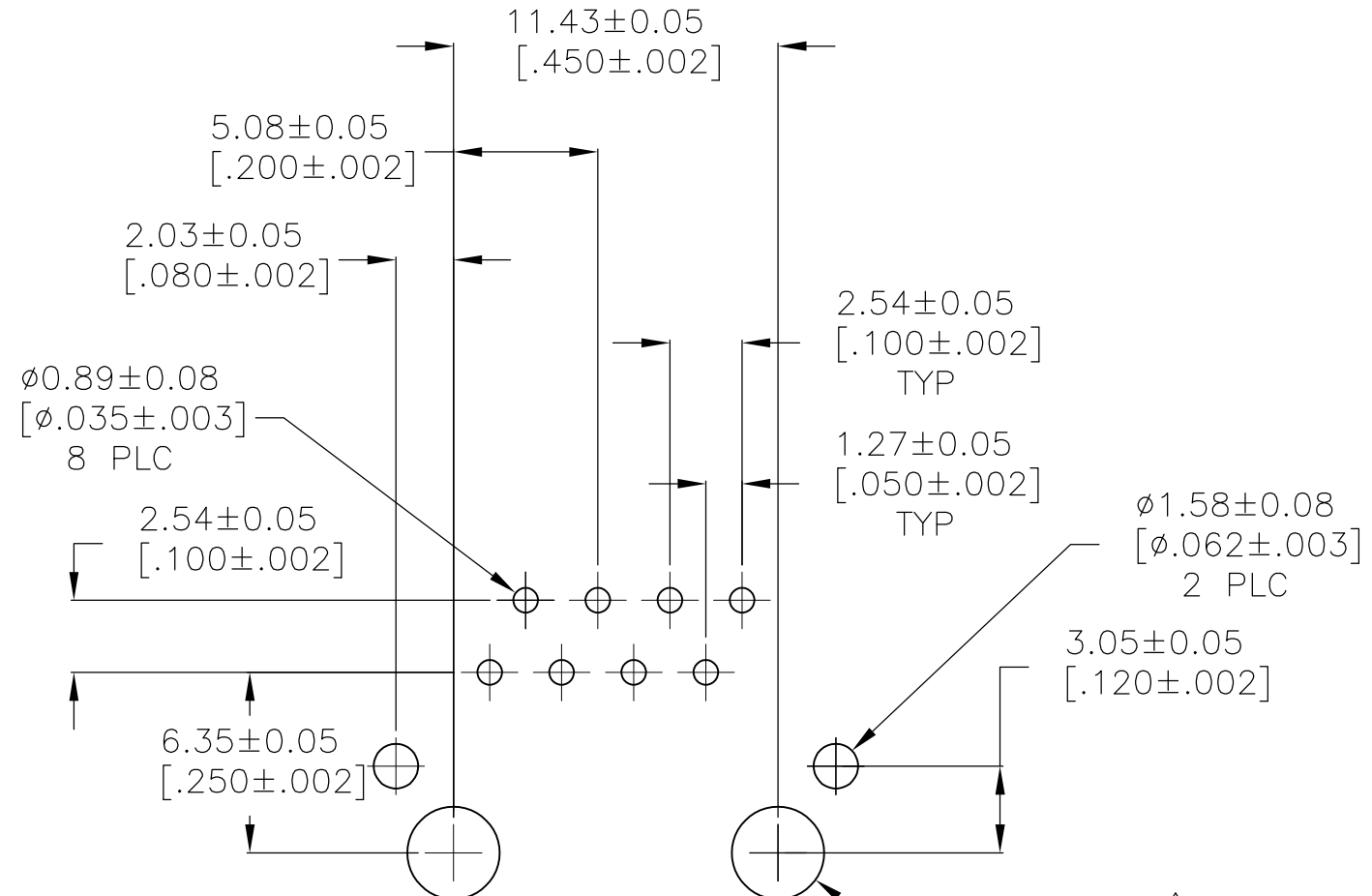


THIS DRAWING IS UNPUBLISHED. RELEASED FOR PUBLICATION
 © COPYRIGHT - By - ALL RIGHTS RESERVED.

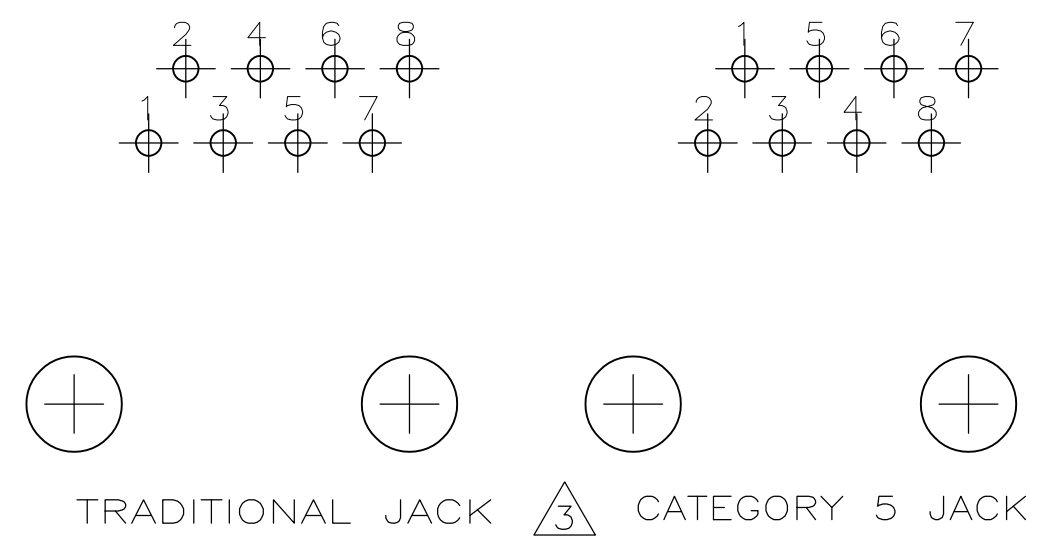
LOC	DIST	REVISIONS					
AA	00	P	LTR	DESCRIPTION	DATE	DWN	APVD
		D1		REVISED PER ECO-11-005033	26MAR11	RK	HMR
		E		ECO-11-019003	19SEP11	JJ	MQW



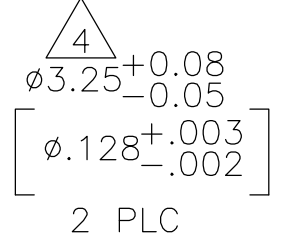
- MATERIAL: HOUSING HTN, BLACK.
 TERMINALS - 0.33[.013] THICK PHOS BRONZE PLATED WITH 1.27 μ m[.000050] MINIMUM THICK HARD GOLD IN LOCALIZED AREA AND 3.81 μ m [.000150] MINIMUM THICK MATTE TIN IN SOLDER AREA OVER 1.27 μ m[.000050] MINIMUM THICK NICKEL UNDERPLATE.
 SHIELDS - 0.254[.010] THICK COPPER ALLOY PLATED WITH 1.27 μ m[.000050] MINIMUM NICKEL AND 2.03 μ m [.000080] MINIMUM HOT TIN DIP ON PCB GROUND TABS.
- JACK CAVITY CONFORMS TO FCC RULES AND REGULATIONS, PART 68 SUBPART F.
- CAUTION: CATEGORY 5 JACK SOLDER TAIL POSITIONS DO NOT FOLLOW SAME NUMBER SEQUENCE AS THAT OF TRADITIONAL JACKS.
- USE #30 DRILL BIT OR 3.25mm DRILL BIT WHEN PRODUCING THESE PCB HOLES.
- OBSOLETE PARTS: OBSOLETE CIS STREAMLINING PER D.RENAUD/D.SINISI
- SHIELD MATERIAL: PHOS BRONZE.



SUGGESTED PANEL CUTOUT
SCALE 4:1



SUGGESTED PC BOARD LAYOUT
COMPONENT SIDE



6	BLACK	5558342-3
5	GRAY	5558342-2
	BLACK	5558342-1
	HOUSING COLOR	PART NUMBER

THIS DRAWING IS A CONTROLLED DOCUMENT.		DWN	01JUNE2005	TE Connectivity	
		CHK	01JUNE2005	TE Connectivity	
		APVD	01JUNE2005	TE Connectivity	
		NAME	S.FLICKINGER		
DIMENSIONS: mm		PRODUCT SPEC	108-1163-2		
TOLERANCES UNLESS OTHERWISE SPECIFIED:		APPLICATION SPEC	114-2048		
0 PLC ± -		SIZE	CAGE CODE	DRAWING NO	RESTRICTED TO
1 PLC ± -		WEIGHT	A2	00779	C=5558342
2 PLC ± 0.25[.010]		CUSTOMER DRAWING		SCALE	4:1
3 PLC ± -				SHEET	1 of 1
4 PLC ± -				REV	E
ANGLES ± -					
FINISH					
SEE NOTE 1					