



Chipsmall Limited consists of a professional team with an average of over 10 year of expertise in the distribution of electronic components. Based in Hongkong, we have already established firm and mutual-benefit business relationships with customers from,Europe,America and south Asia,supplying obsolete and hard-to-find components to meet their specific needs.

With the principle of “Quality Parts,Customers Priority,Honest Operation,and Considerate Service”,our business mainly focus on the distribution of electronic components. Line cards we deal with include Microchip,ALPS,ROHM,Xilinx,Pulse,ON,Everlight and Freescale. Main products comprise IC,Modules,Potentiometer,IC Socket,Relay,Connector.Our parts cover such applications as commercial,industrial, and automotives areas.

We are looking forward to setting up business relationship with you and hope to provide you with the best service and solution. Let us make a better world for our industry!



## Contact us

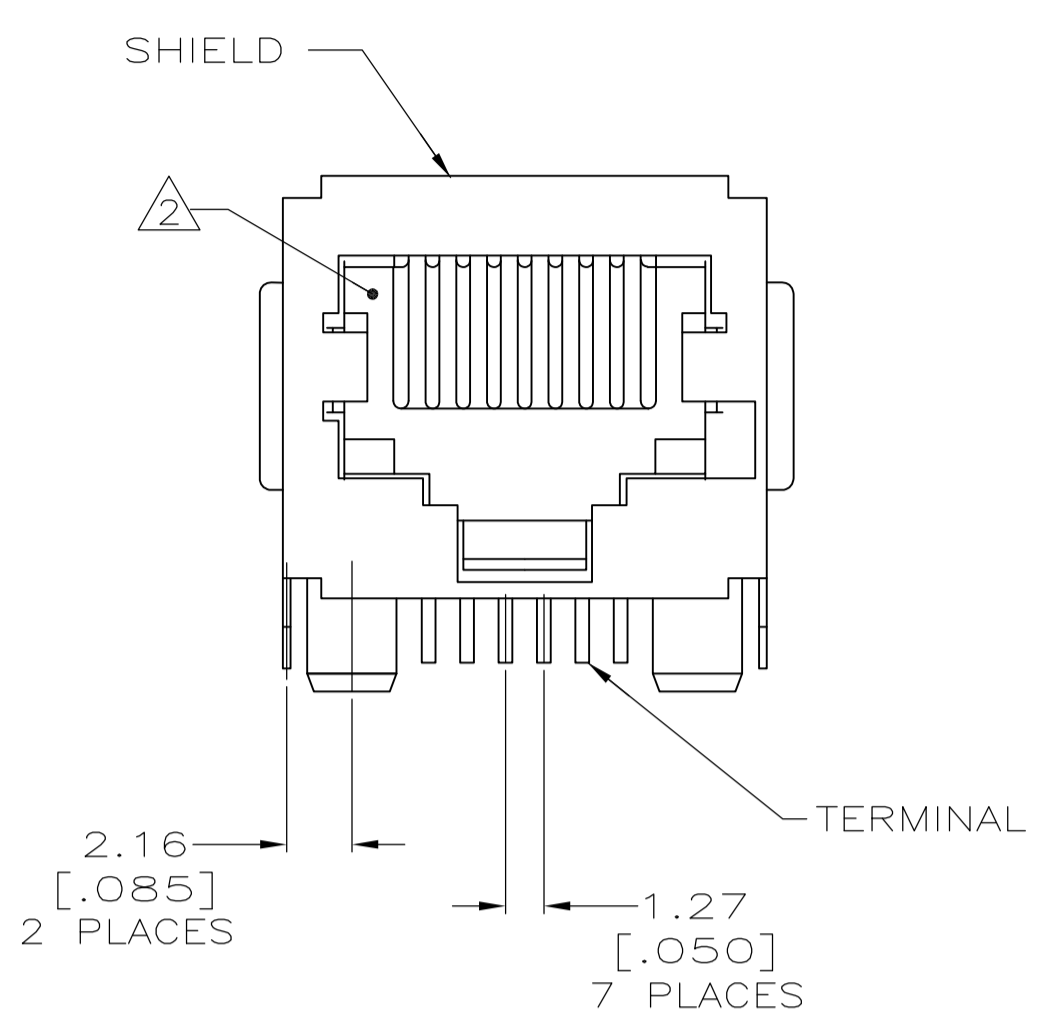
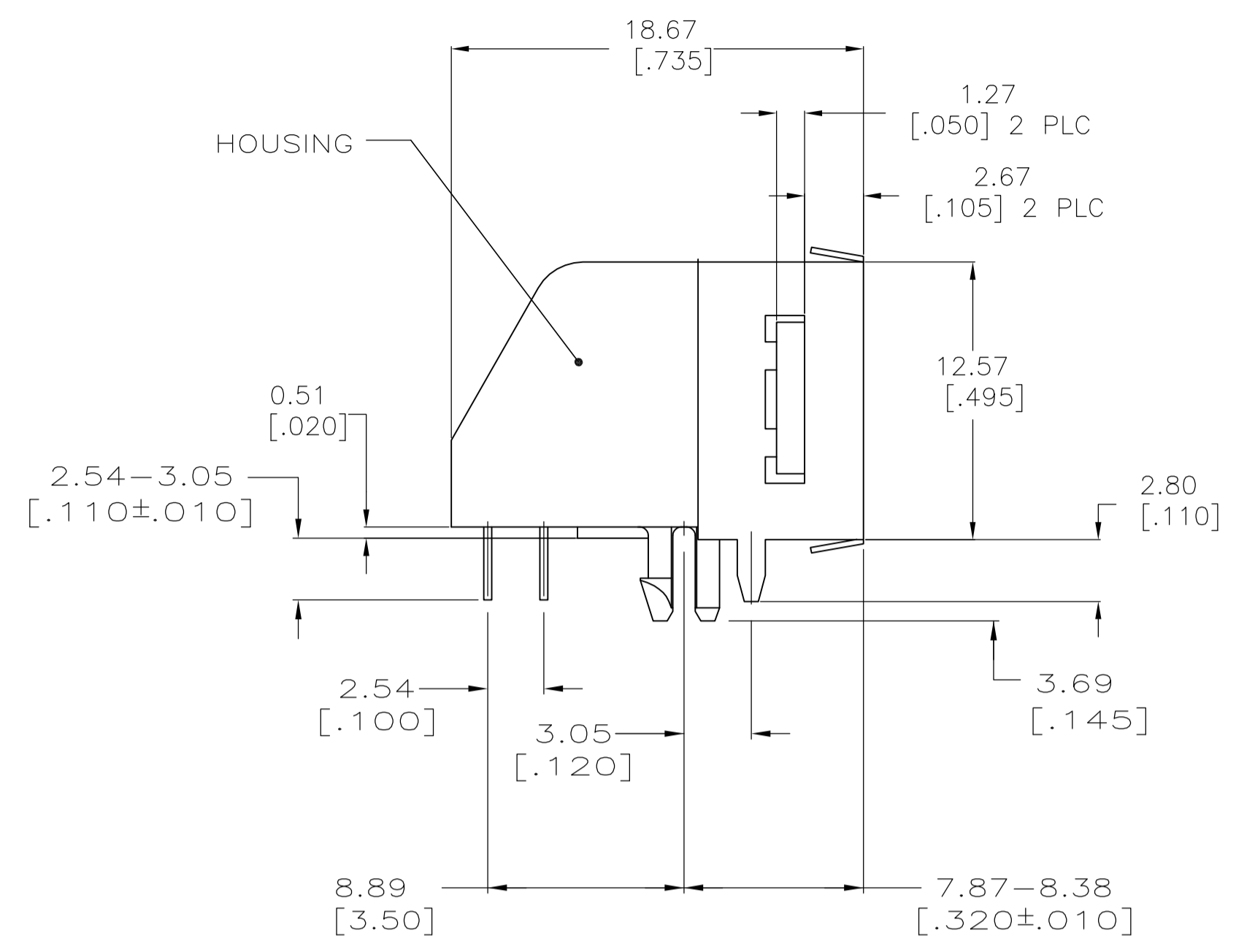
Tel: +86-755-8981 8866 Fax: +86-755-8427 6832

Email & Skype: info@chipsmall.com Web: www.chipsmall.com

Address: A1208, Overseas Decoration Building, #122 Zhenhua RD., Futian, Shenzhen, China

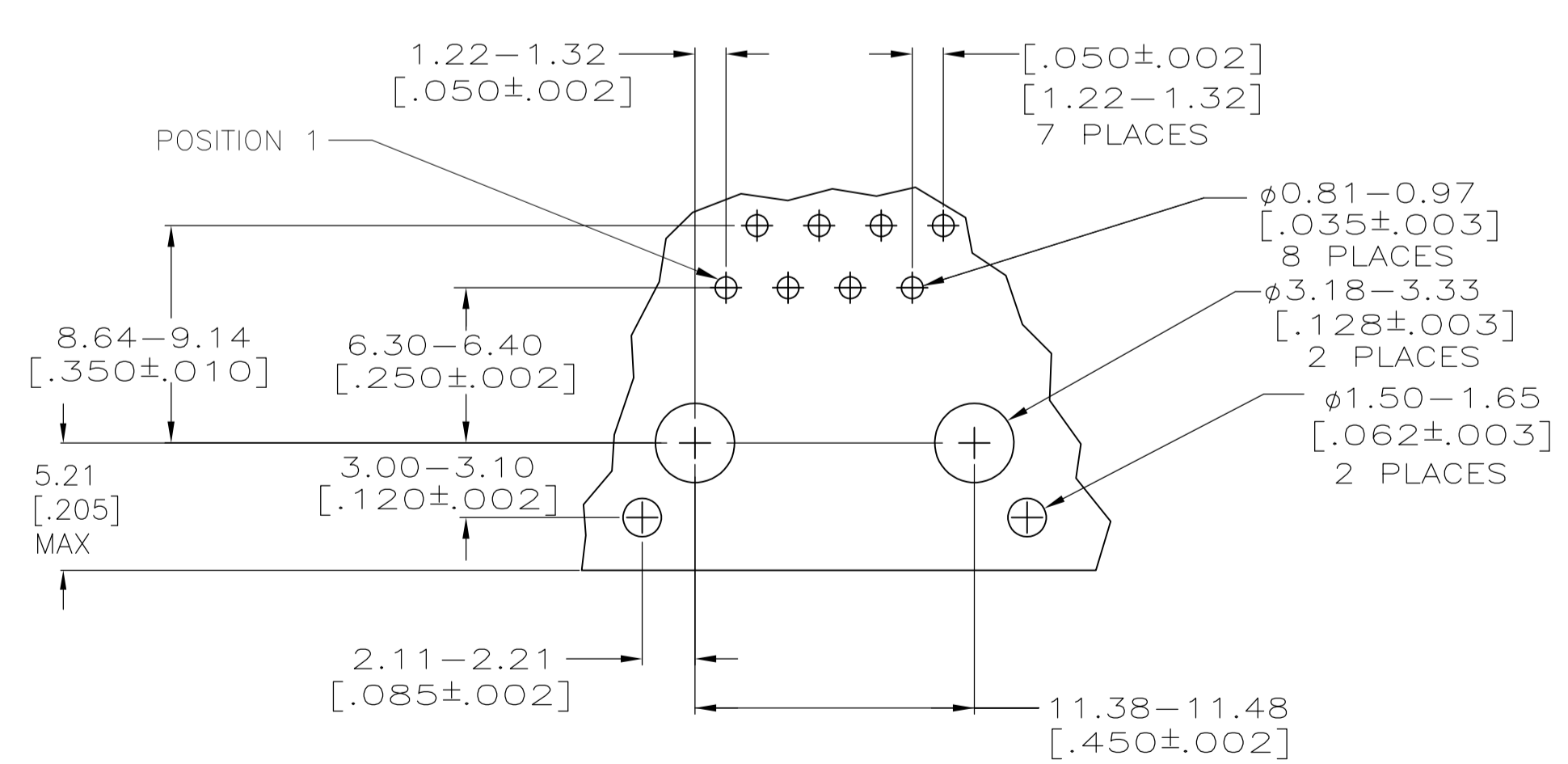
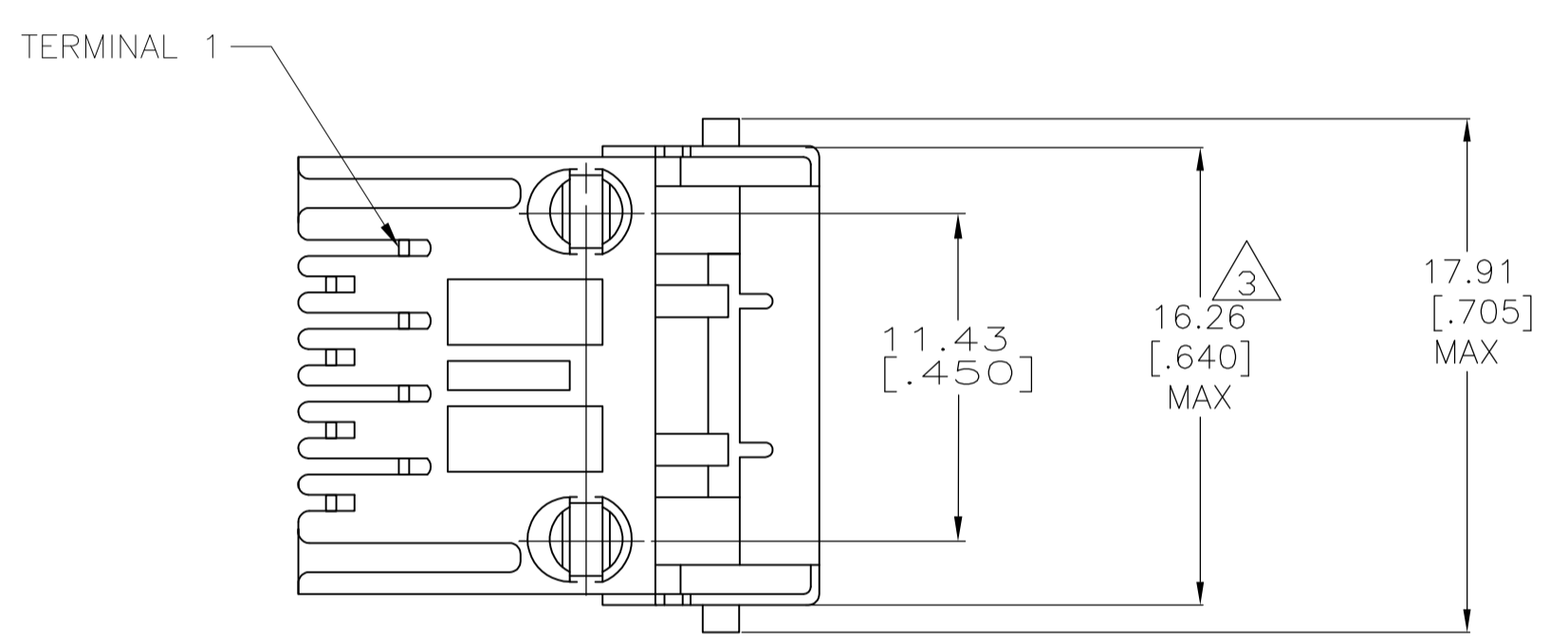


LOC		DIST		REVISIONS			
P	LTR	DESCRIPTION	DATE	DN	APVD		
C		ECO-08-002714	06FEB2008	LAM	PR		

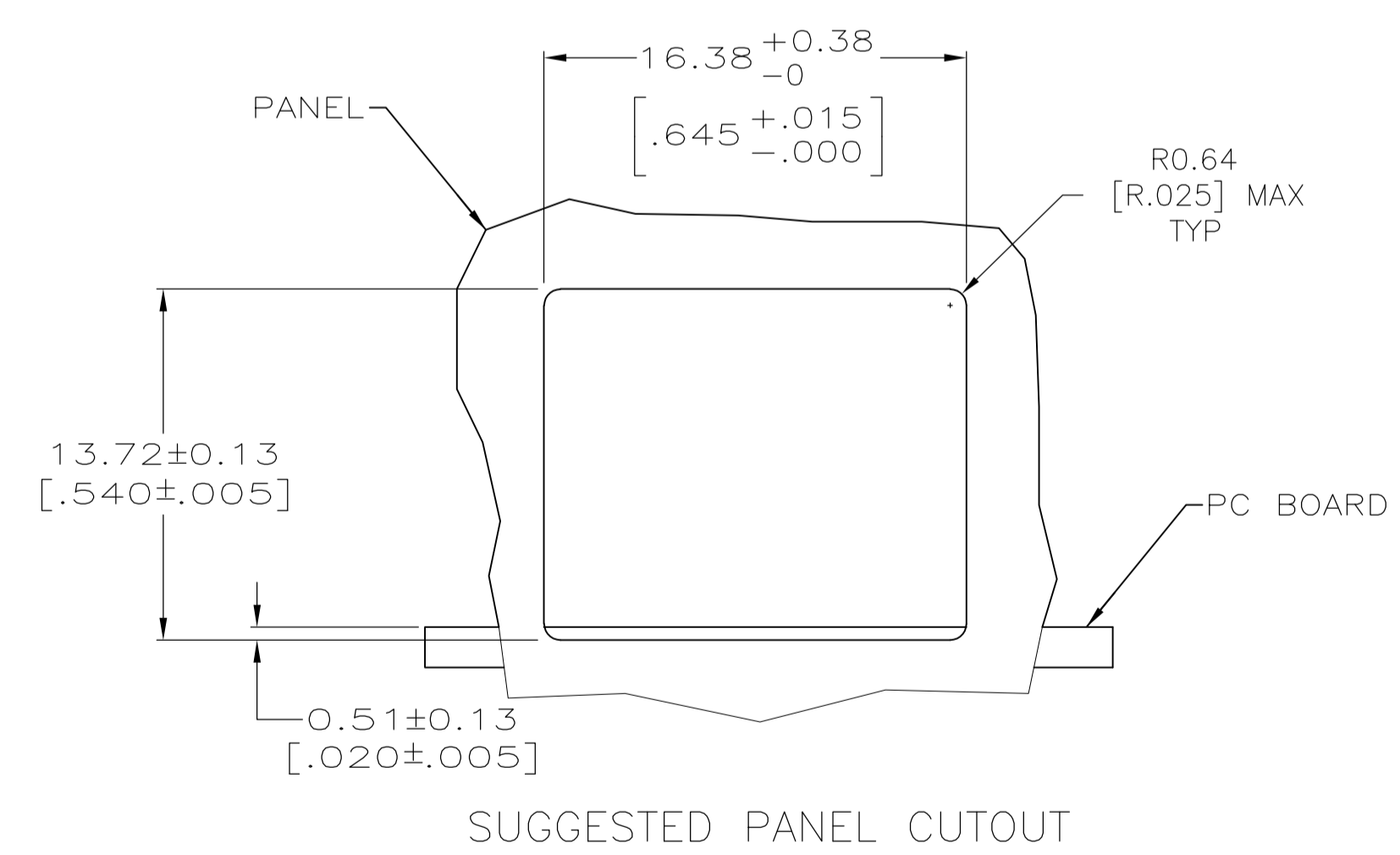


- MATERIAL:  
 HOUSING-PBT POLYESTER BLACK.  
 TERMINAL- 0.36 [.014] THICK PHOS-BRONZE PLATE WITH 1.27μm [.000050] MIN THICK HARD GOLD IN LOCALIZED GOLD PLATE AREA AND 3.81μm [.000150] MIN THICK MATTE TIN IN SOLDER AREA OVER 1.27μm [.000050] MIN THICK NICKEL UNDERPLATE.  
 SHIELD- 0.25 [.010] THICK COPPER ALLOY, PLATE WITH 3.0μm [.000120] MIN THICK REFLOWED TIN

- △ CAVITY CONFORMS TO FCC RULES AND REGULATIONS, PART 68, SUBPART F.
- △ DIMENSION MEASURED ALONG FRONT EDGE OF MATING SURFACE



SUGGESTED PRINTED CIRCUIT BOARD LAYOUT  
 COMPONENT SIDE



SUGGESTED PANEL CUTOUT

5558382-1  
 PART NUMBER

THIS DRAWING IS A CONTROLLED DOCUMENT.		DIN A. FERNANDEZ 08JUN2005	Tyco Electronics Corporation Harrisburg, Pa 17105-3608	
DIMENSIONS: mm [INCHES]	TOLERANCES UNLESS OTHERWISE SPECIFIED:	CHK J. WESTMAN 08JUN2005	APVD S. FLICKINGER 08JUN2005	NAME MODULAR JACK ASSEMBLY, 8 POSITION, SHIELDED, KEYED, LOW PROFILE, RIGHT ANGLE, WITH PANEL GROUNDS AND PANEL STOPS
	0 PLC ± -	PRODUCT SPEC 108-1163	APPLICATION SPEC 114-2048	SIZE A1
MATERIAL SEE NOTE 1	FINISH SEE NOTE 1	WEIGHT -	CAGE CODE 00779	DRAWING NO. 5558382
CUSTOMER DRAWING		SCALE 4:1	SHEET 1 OF 1	REV C