



Chipsmall Limited consists of a professional team with an average of over 10 year of expertise in the distribution of electronic components. Based in Hongkong, we have already established firm and mutual-benefit business relationships with customers from,Europe,America and south Asia,supplying obsolete and hard-to-find components to meet their specific needs.

With the principle of “Quality Parts,Customers Priority,Honest Operation,and Considerate Service”,our business mainly focus on the distribution of electronic components. Line cards we deal with include Microchip,ALPS,ROHM,Xilinx,Pulse,ON,Everlight and Freescale. Main products comprise IC,Modules,Potentiometer,IC Socket,Relay,Connector.Our parts cover such applications as commercial,industrial, and automotives areas.

We are looking forward to setting up business relationship with you and hope to provide you with the best service and solution. Let us make a better world for our industry!



Contact us

Tel: +86-755-8981 8866 Fax: +86-755-8427 6832

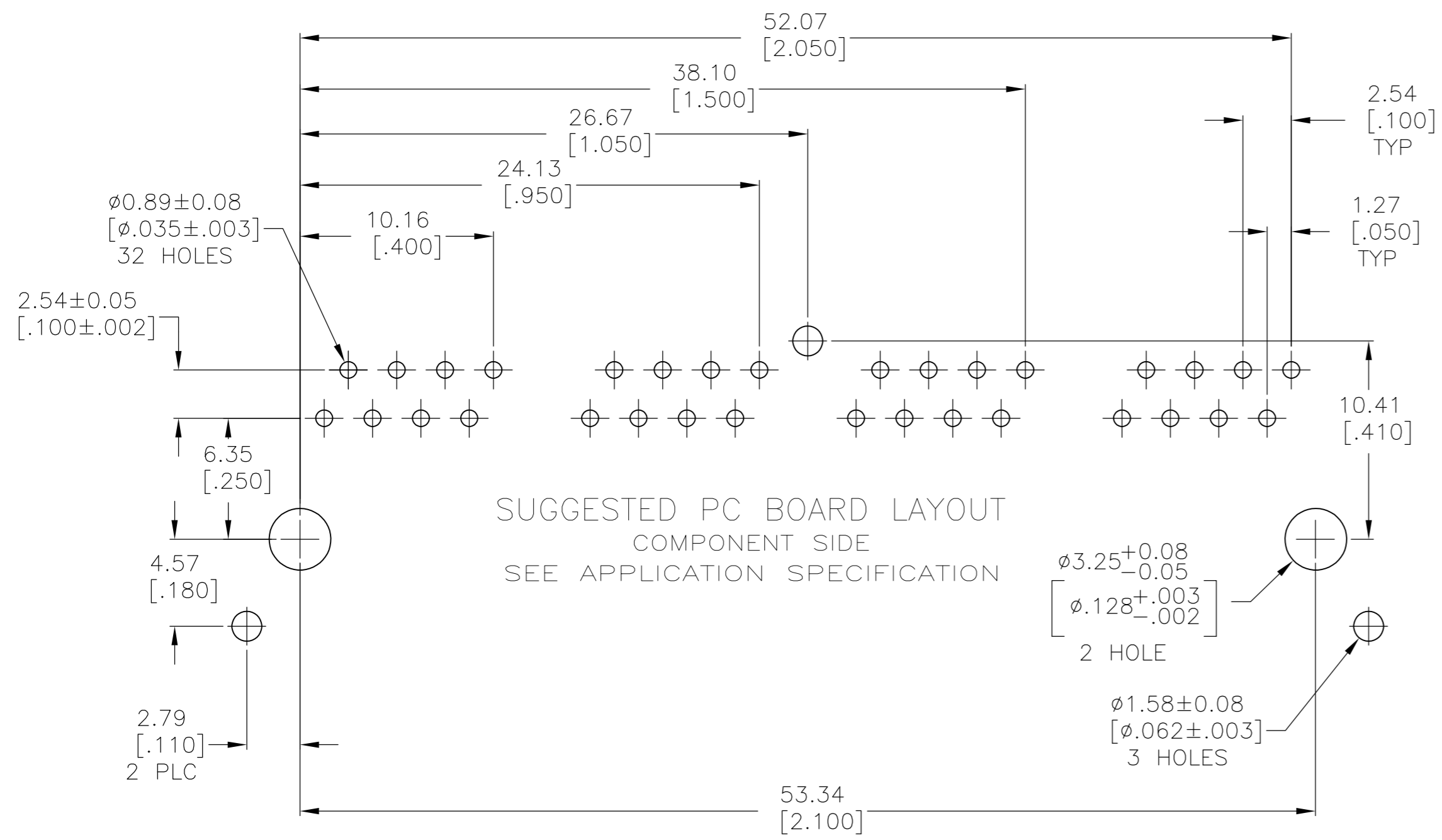
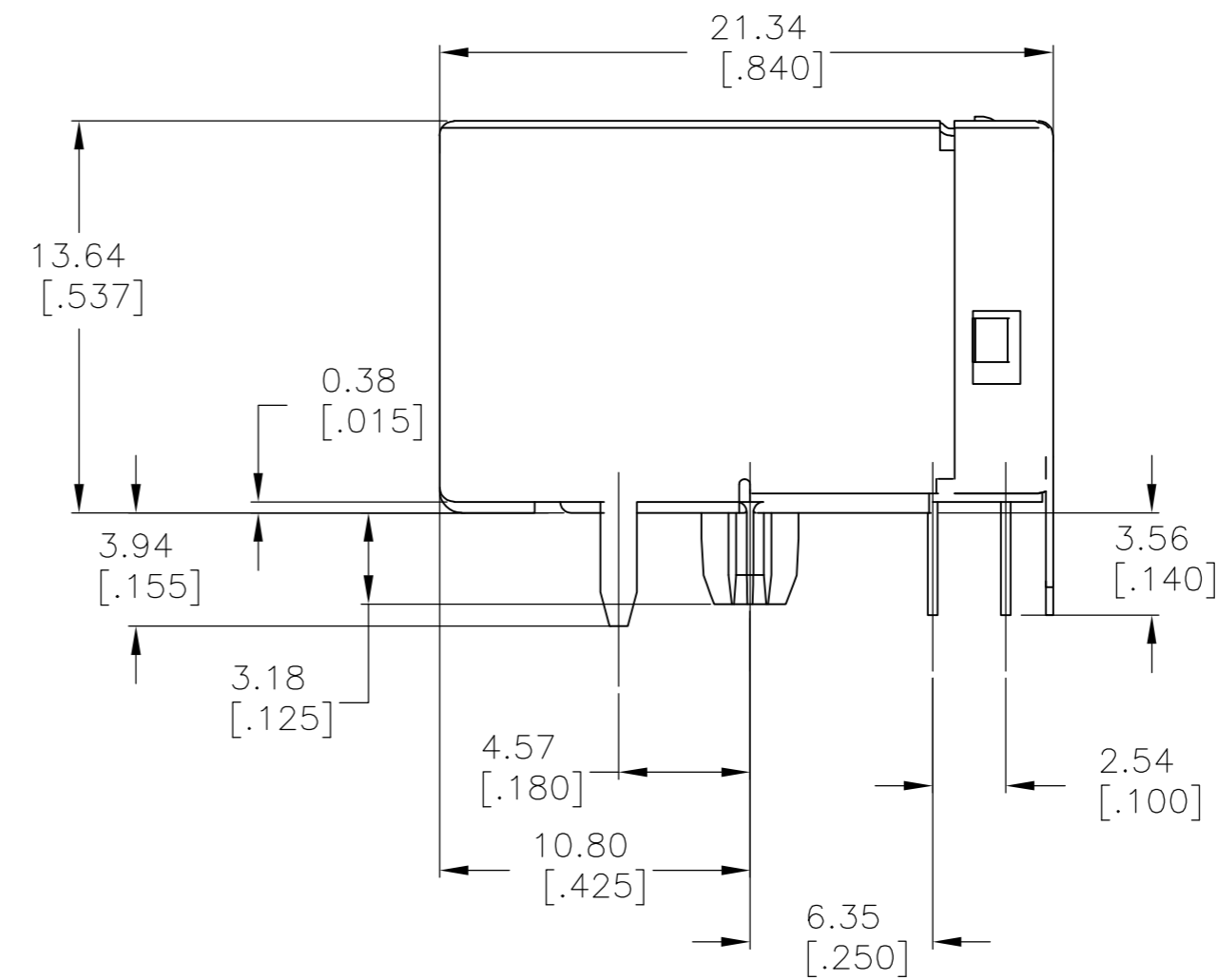
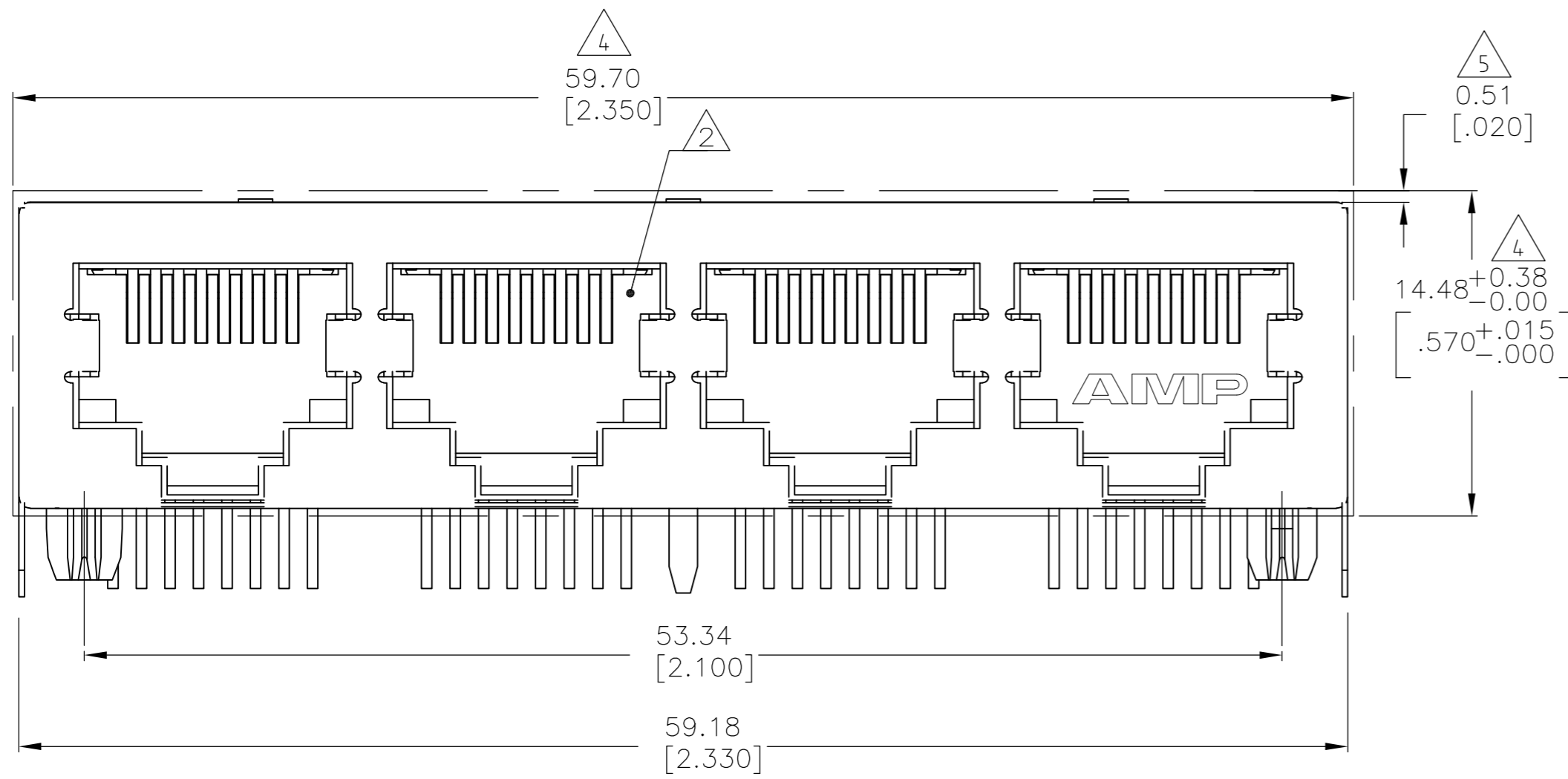
Email & Skype: info@chipsmall.com Web: www.chipsmall.com

Address: A1208, Overseas Decoration Building, #122 Zhenhua RD., Futian, Shenzhen, China



THIS DRAWING IS UNPUBLISHED. RELEASED FOR PUBLICATION
 © COPYRIGHT - By - ALL RIGHTS RESERVED.

LOC		DIST		REVISIONS			
P	LTR	DESCRIPTION	DATE	DWN	APVD		
AA	00						
	D	ECR-11-017936	28OCT2011	JJ	MQW		



SUGGESTED PC BOARD LAYOUT
 COMPONENT SIDE
 SEE APPLICATION SPECIFICATION



- MATERIAL: HOUSING- HIGH TEMPERATURE NYLON, BLACK, IR COMPATIBLE, UL 94V-0.
 TERMINALS - 0.33[.013] THICK PHOS BRONZE PLATED WITH 1.27um[.000050] MINIMUM HARD GOLD IN LOCALIZED AREA AND 3.81um[.000150] MINIMUM TIN IN SOLDER AREA OVER 1.27um[.000050] MINIMUM NICKEL UNDERPLATE

SHIELDS - 0.25 [.010] THICK COPPER ALLOY PLATED WITH 1.27 um [.000050] MINIMUM NICKEL AND 2.03 um [.000080] MINIMUM HOT TIN DIP ON PCB GROUND TABS.

- JACK CAVITY CONFORMS TO FCC RULES AND REGULATIONS, PART 68 SUBPART F.
- CAUTION: CATEGORY 5 JACK SOLDER TAIL POSITIONS DO NOT FOLLOW SAME NUMBER SEQUENCE AS THAT OF THE TRADITIONAL JACKS.
- SUGGESTED PANEL OPENING DIMENSIONS
- SUGGESTED CLEARANCE BETWEEN TOP OF CONNECTOR AND TOP PANEL OPENING

5558503-1
 PART NUMBER

THIS DRAWING IS A CONTROLLED DOCUMENT.		DWN W. LONG/L.A.MAYER 04NOV2006	TE Connectivity	
DIMENSIONS: mm [INCHES]		CHK J.WESTMAN 04NOV2006	NAME	
TOLERANCES UNLESS OTHERWISE SPECIFIED:		APVD S.FLICKINGER 04NOV2006	PRODUCT SPEC	
0 PLC ± -		108-1163-2		
1 PLC ± -		APPLICATION SPEC		
2 PLC ± 0.25 [.010]		114-2048		
3 PLC ± -		WEIGHT		
4 PLC ± -		-		
ANGLES ± -		SIZE		
FINISH		A2		
SEE NOTE 1		CAGE CODE		
SEE NOTE 1		00779		
		DRAWING NO		
		C=5558503		
		RESTRICTED TO		
		-		
		SCALE		
		4:1		
		SHEET		
		1 of 1		
		REV		
		D		