



Chipsmall Limited consists of a professional team with an average of over 10 year of expertise in the distribution of electronic components. Based in Hongkong, we have already established firm and mutual-benefit business relationships with customers from,Europe,America and south Asia,supplying obsolete and hard-to-find components to meet their specific needs.

With the principle of “Quality Parts,Customers Priority,Honest Operation,and Considerate Service”,our business mainly focus on the distribution of electronic components. Line cards we deal with include Microchip,ALPS,ROHM,Xilinx,Pulse,ON,Everlight and Freescale. Main products comprise IC,Modules,Potentiometer,IC Socket,Relay,Connector.Our parts cover such applications as commercial,industrial, and automotives areas.

We are looking forward to setting up business relationship with you and hope to provide you with the best service and solution. Let us make a better world for our industry!



Contact us

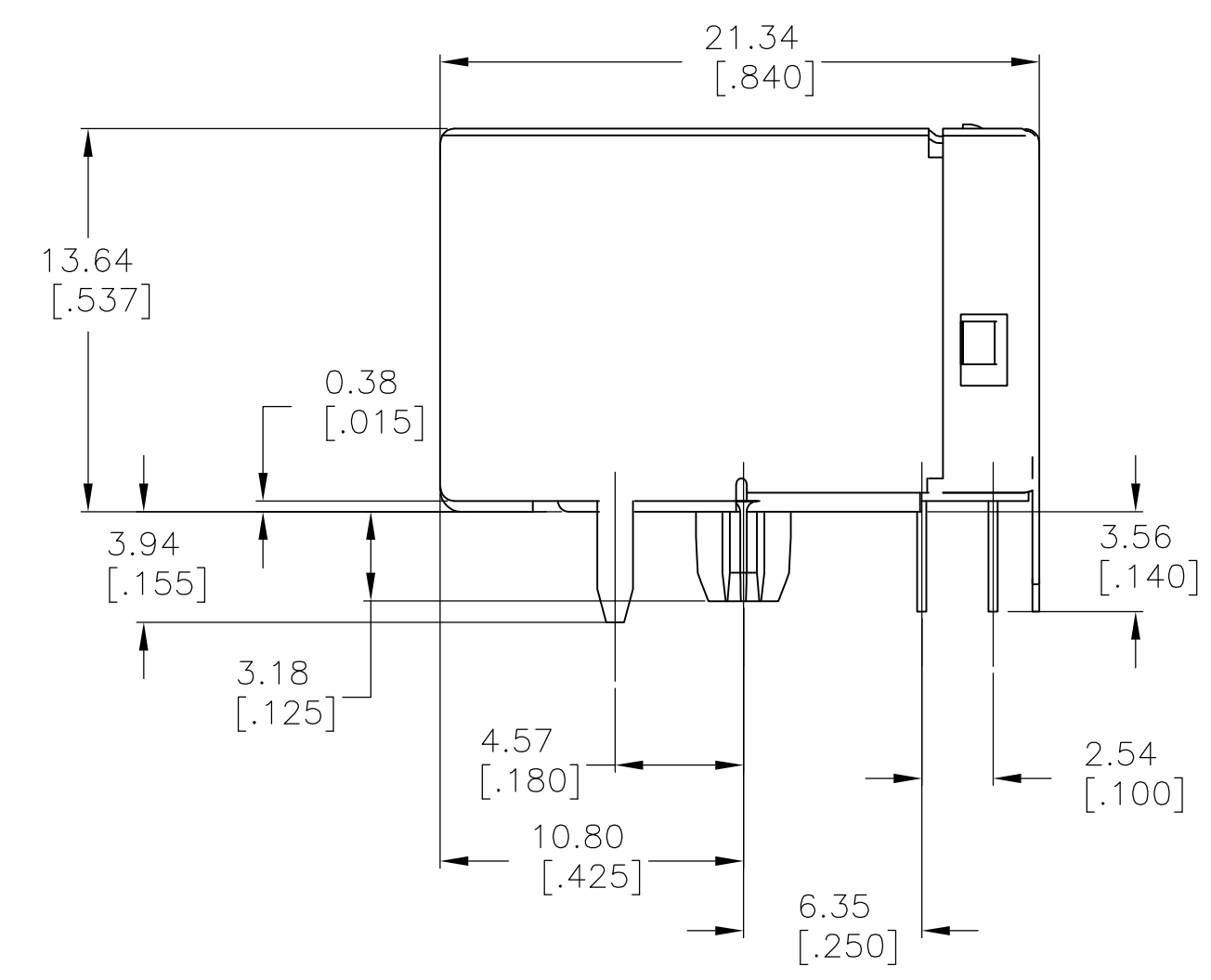
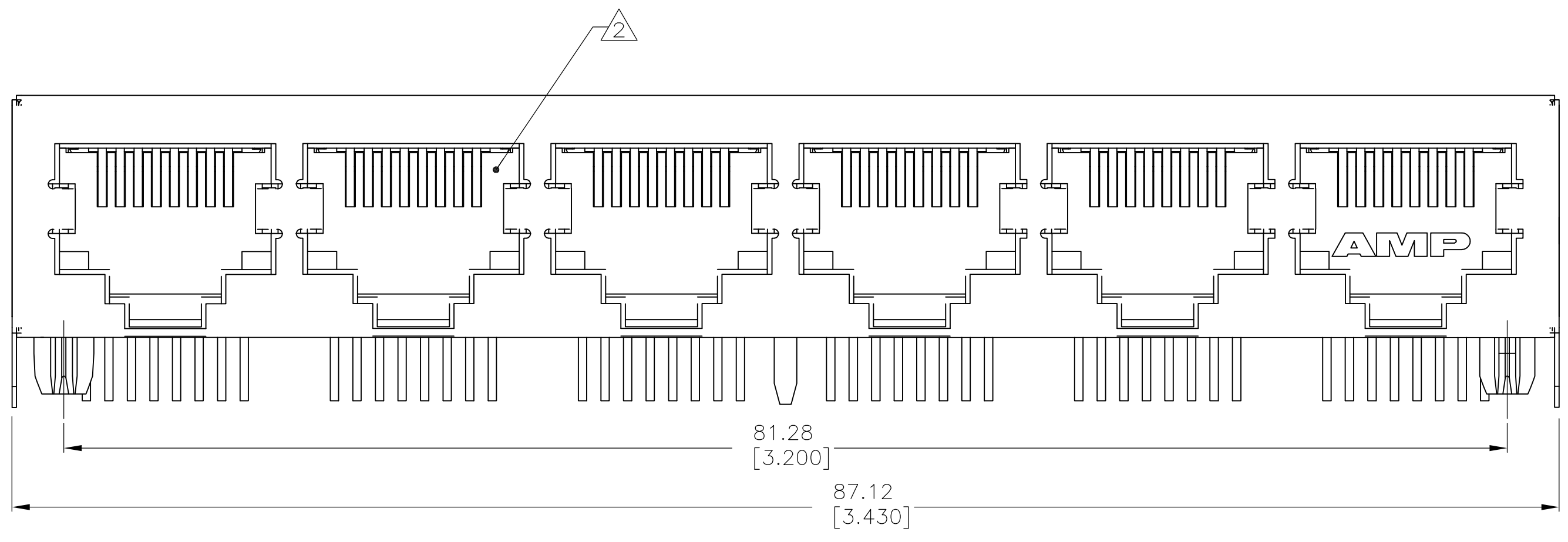
Tel: +86-755-8981 8866 Fax: +86-755-8427 6832

Email & Skype: info@chipsmall.com Web: www.chipsmall.com

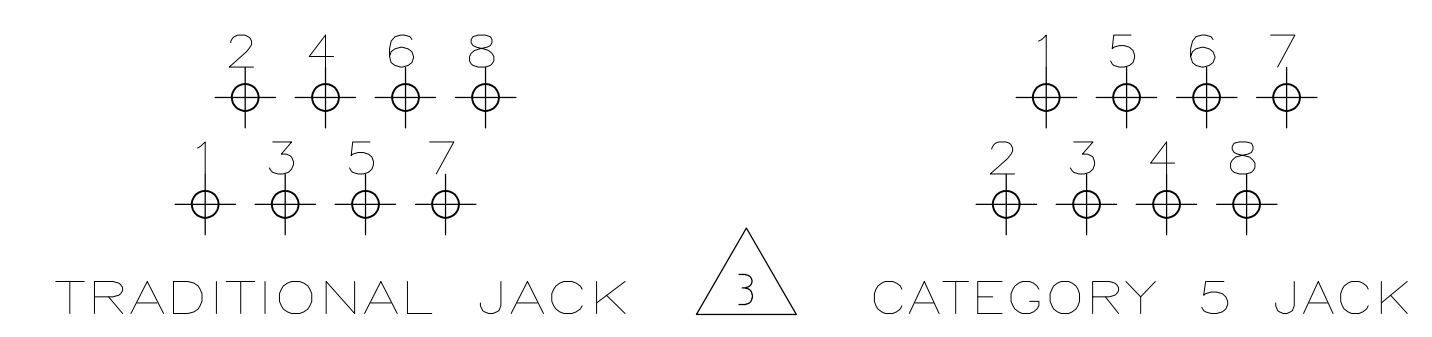
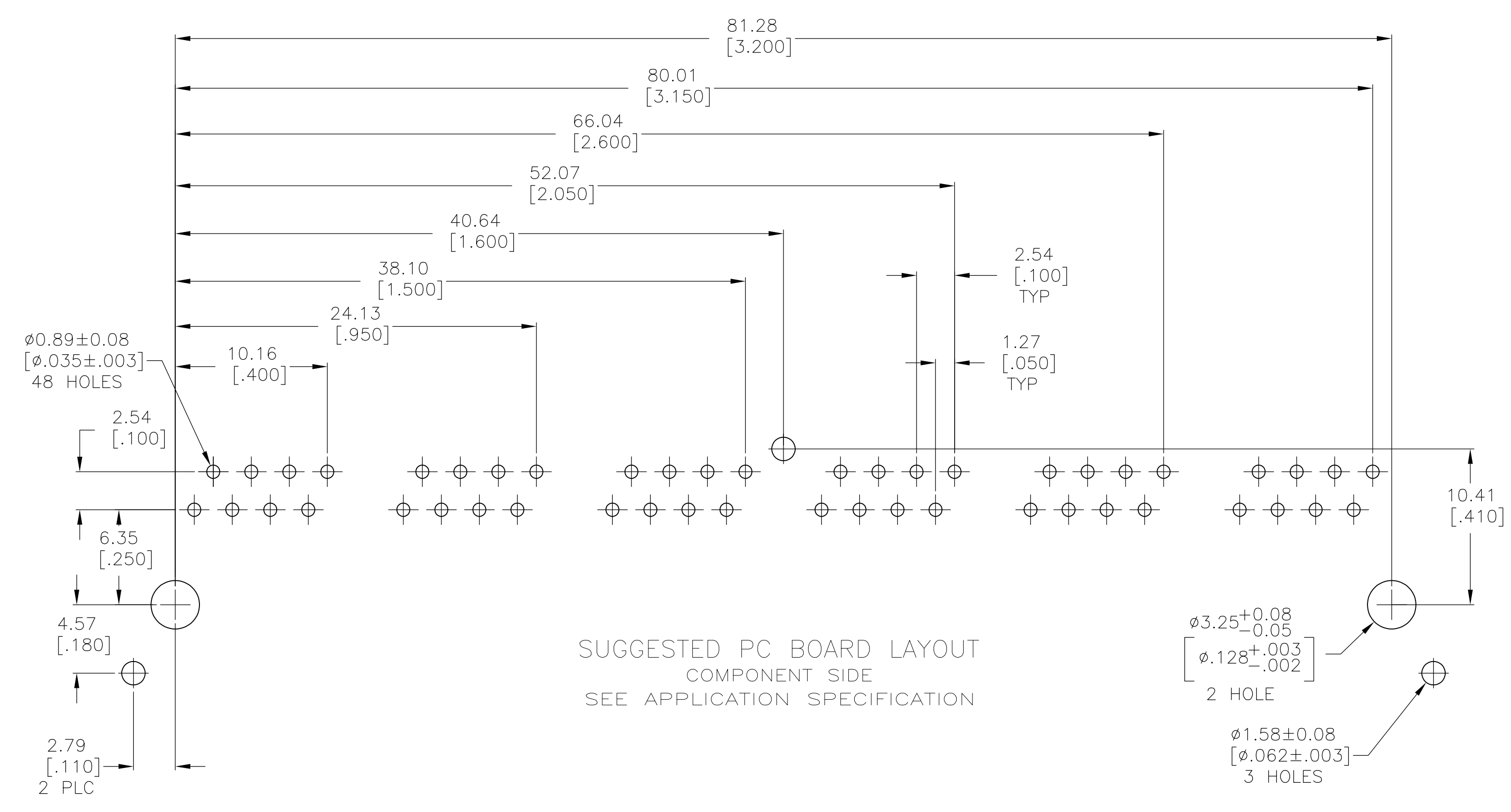
Address: A1208, Overseas Decoration Building, #122 Zhenhua RD., Futian, Shenzhen, China



LOC		DIST		REVISIONS			
AA	00	REV	PER	DESCRIPTION	DATE	BY	APPROV
D		REV PER	ECR-10-018501		7SEP2010	DZ	MQ.W



- MATERIAL: HOUSING—HIGH TEMPERATURE NYLON, BLACK, UL 94V-0.
 TERMINALS - 0.33 [.013] THICK PHOS BRONZE PLATED WITH 1.27µm [.000050] MINIMUM HARD GOLD IN LOCALIZED AREA AND 3.81µm [.000150] MINIMUM MATTE TIN IN SOLDER AREA OVER
 1.27µm [.000050] MINIMUM NICKEL UNDERPLATE SHIELDS - 0.25[.010] THICK COPPER ALLOY PLATED WITH 1.27µm[.000050] MIN NICKEL AND 2.03µm[.000080] MIN TIN HOT DIP ON PCB GROUND TABS.
- ⚠ JACK CAVITY CONFORMS TO FCC RULES AND REGULATIONS, PART 68 SUBPART F.
- ⚠ CAUTION: CATEGORY 5 JACK SOLDER TAIL POSITIONS DO NOT FOLLOW SAME NUMBER SEQUENCE AS THAT OF THE TRADITIONAL JACKS.



5558504-1
 PART NO.

THIS DRAWING IS A CONTROLLED DOCUMENT.		DWG. NO. LONG	3-8-94	Tyco Electronics Corporation Harrisburg, PA 17105-3608
DIMENSIONS: mm [INCHES]		CHK. B. FOX	3-16-94	
TOLERANCES UNLESS OTHERWISE SPECIFIED:		APPROV. G. REED	3-16-94	NAME: MODULAR JACK ASSEMBLY, 6 PORT, 8 POSITION, RIGHT ANGLE, CATEGORY 5, PC BOARD GROUND SHIELD
0 PLC ± -		PRODUCT SPEC	108-1163-2	
1 PLC ± -		APPLICATION SPEC	114-2048	SIZE: A1
2 PLC ± ± 0.25 [.010]		WEIGHT	—	CAGE CODE: 00779
3 PLC ± -		FINISH	SEE NOTE 1	DWG. NO. 5558504
4 PLC ± -		MATERIAL	SEE NOTE 1	REV. D
ANGLES ± -		CUSTOMER DRAWING		SCALE: 4:1 SHEET 1 OF 1