



Chipsmall Limited consists of a professional team with an average of over 10 year of expertise in the distribution of electronic components. Based in Hongkong, we have already established firm and mutual-benefit business relationships with customers from,Europe,America and south Asia,supplying obsolete and hard-to-find components to meet their specific needs.

With the principle of "Quality Parts,Customers Priority,Honest Operation,and Considerate Service",our business mainly focus on the distribution of electronic components. Line cards we deal with include Microchip,ALPS,ROHM,Xilinx,Pulse,ON,Everlight and Freescale. Main products comprise IC,Modules,Potentiometer,IC Socket,Relay,Connector.Our parts cover such applications as commercial,industrial, and automotives areas.

We are looking forward to setting up business relationship with you and hope to provide you with the best service and solution. Let us make a better world for our industry!



Contact us

Tel: +86-755-8981 8866 Fax: +86-755-8427 6832

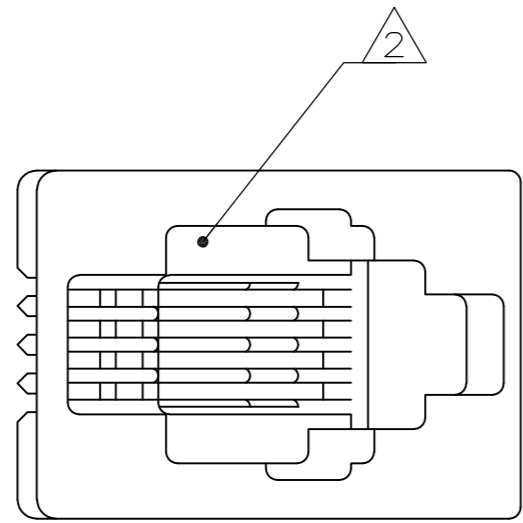
Email & Skype: info@chipsmall.com Web: www.chipsmall.com

Address: A1208, Overseas Decoration Building, #122 Zhenhua RD., Futian, Shenzhen, China



THIS DRAWING IS UNPUBLISHED. RELEASED FOR PUBLICATION
 © COPYRIGHT BY TYCO ELECTRONICS CORPORATION. ALL RIGHTS RESERVED.

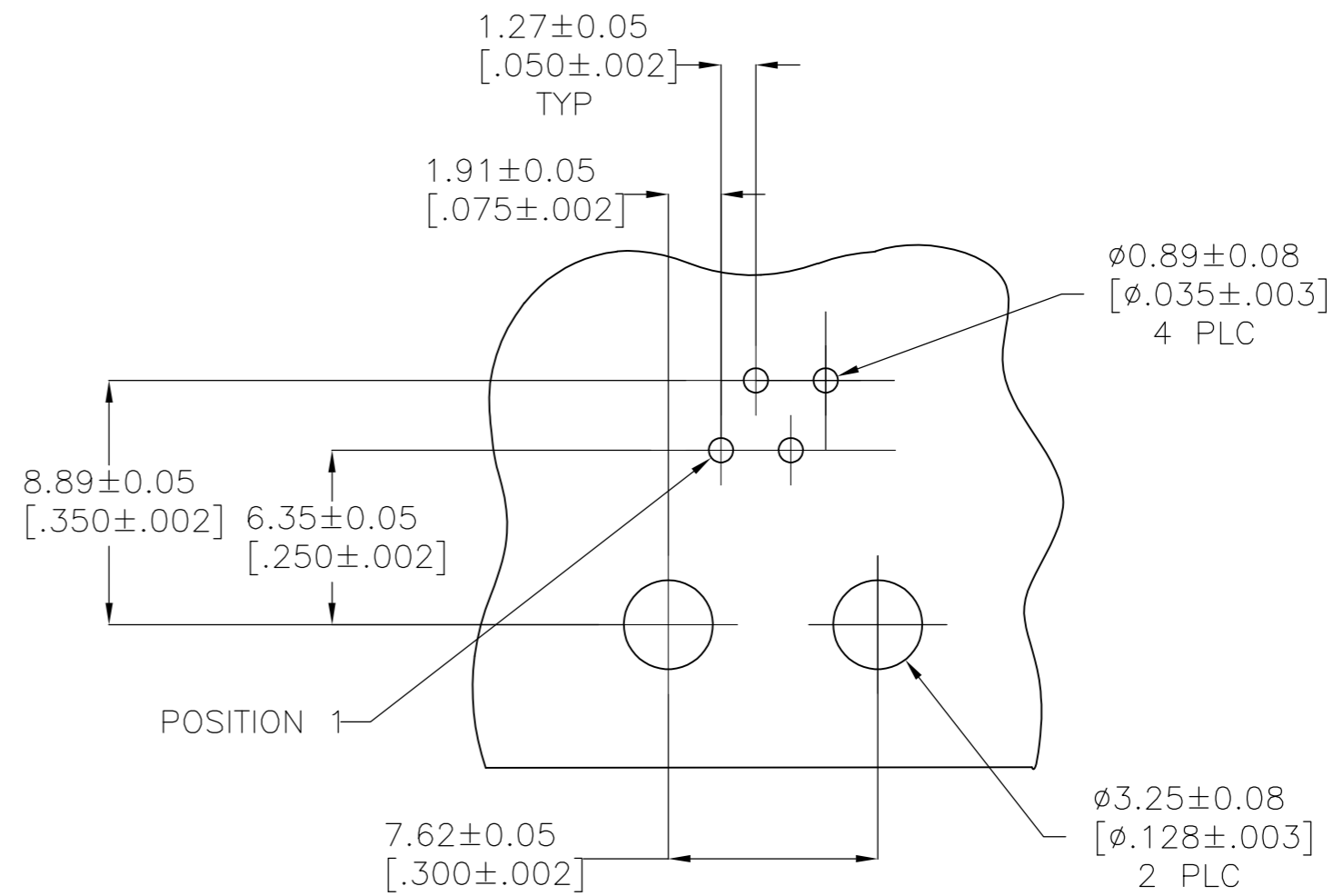
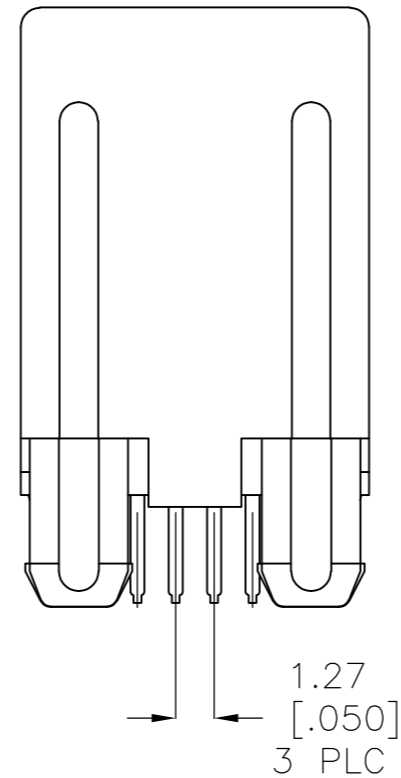
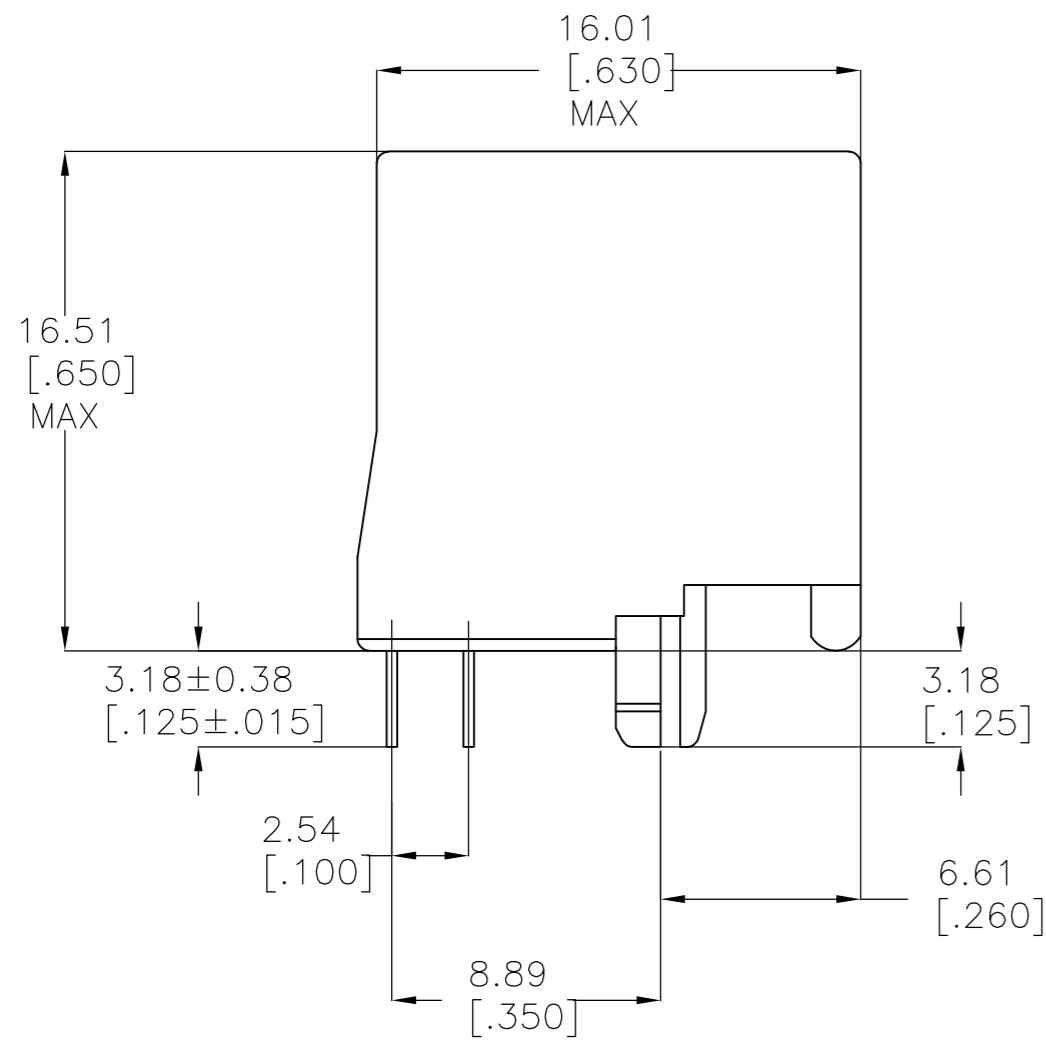
LOC	DIST	REVISIONS			
P	LTR	DESCRIPTION	DATE	DWN	APVD
AA	00	C	ECO-07-017784	13AUG07	LAM PR



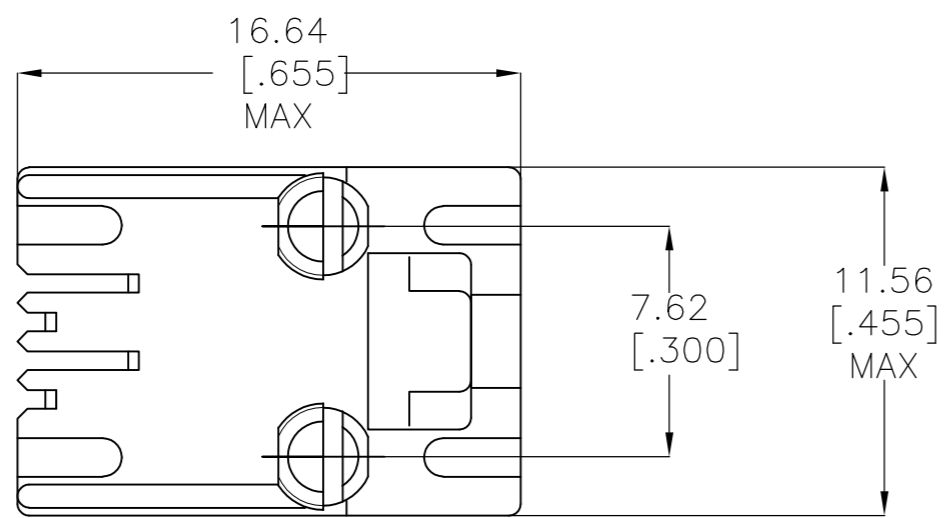
- MATERIAL: HOUSING— PBT POLYESTER, COLOR: BLACK
 TERMINAL — 0.36[.014] THICK PHOS BRONZE MATERIAL
 PLATED WITH 1.27 μ m[.000050] MIN THICK HARD
 GOLD IN LOCALIZED GOLD PLATE AREA, 3.81m[.000150] MIN
 THICK MATTE TIN IN SOLDER AREA OVER 1.27 μ m[.000050]
 MIN THICK NICKEL UNDERPLATE

2 CAVITY CONFORMS TO FCC RULES AND
 REGULATIONS PART 68 AND REA BULLETIN
 345-81, PE-76 SPECIFICATION FOR
 MODULAR TELEPHONE HARDWARE.

3 BULK PACKAGED IN A TRAY.



SUGGESTED PRINTED CIRCUIT BOARD
 LAYOUT
 COMPONENT SIDE



3	5558872-1
PACKAGED	PART NUMBER

THIS DRAWING IS A CONTROLLED DOCUMENT.		DWN R.GRZYBOWSKI 04MAY05	Tyco Electronics Corporation Harrisburg, PA 17105-3608	
DIMENSIONS: mm [INCHES]		CHK STEVE FLICKINGER 05MAY05	NAME	
TOLERANCES UNLESS OTHERWISE SPECIFIED:		APVD STEVE FLICKINGER 05MAY05	PRODUCT SPEC	
0 PLC ± -		108-1163		SIZE CAGE CODE DRAWING NO RESTRICTED TO
1 PLC ± -		APPLICATION SPEC		
2 PLC ± 0.13[.005]		114-2048		SCALE SHEET REV
3 PLC ± -		WEIGHT -		
4 PLC ± -		CUSTOMER DRAWING		4:1 1 OF 1 C
ANGLES ± -		FINISH		
SEE NOTE 1		SEE NOTE 1		