



Chipsmall Limited consists of a professional team with an average of over 10 year of expertise in the distribution of electronic components. Based in Hongkong, we have already established firm and mutual-benefit business relationships with customers from,Europe,America and south Asia,supplying obsolete and hard-to-find components to meet their specific needs.

With the principle of “Quality Parts,Customers Priority,Honest Operation,and Considerate Service”,our business mainly focus on the distribution of electronic components. Line cards we deal with include Microchip,ALPS,ROHM,Xilinx,Pulse,ON,Everlight and Freescale. Main products comprise IC,Modules,Potentiometer,IC Socket,Relay,Connector.Our parts cover such applications as commercial,industrial, and automotives areas.

We are looking forward to setting up business relationship with you and hope to provide you with the best service and solution. Let us make a better world for our industry!



Contact us

Tel: +86-755-8981 8866 Fax: +86-755-8427 6832

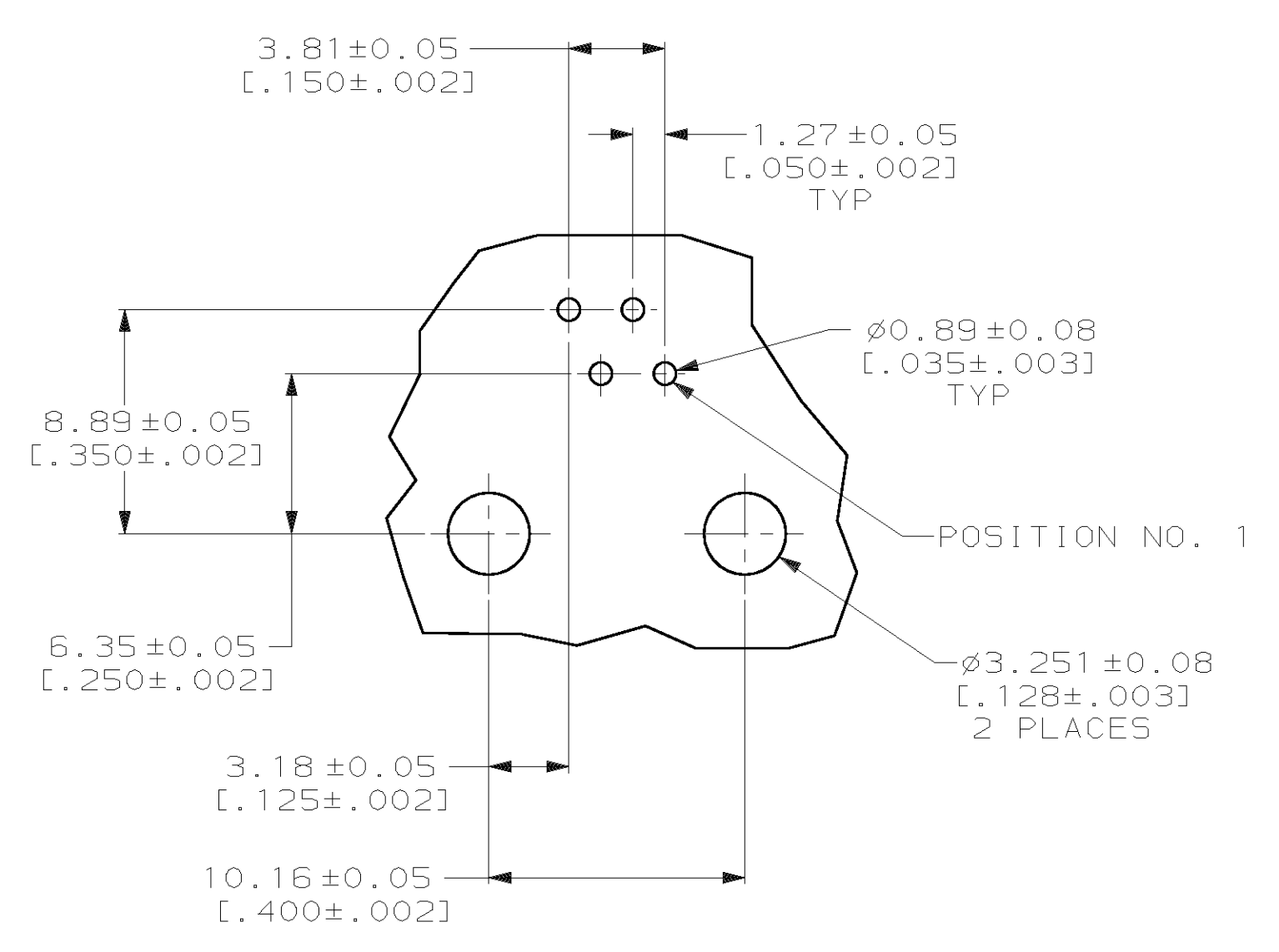
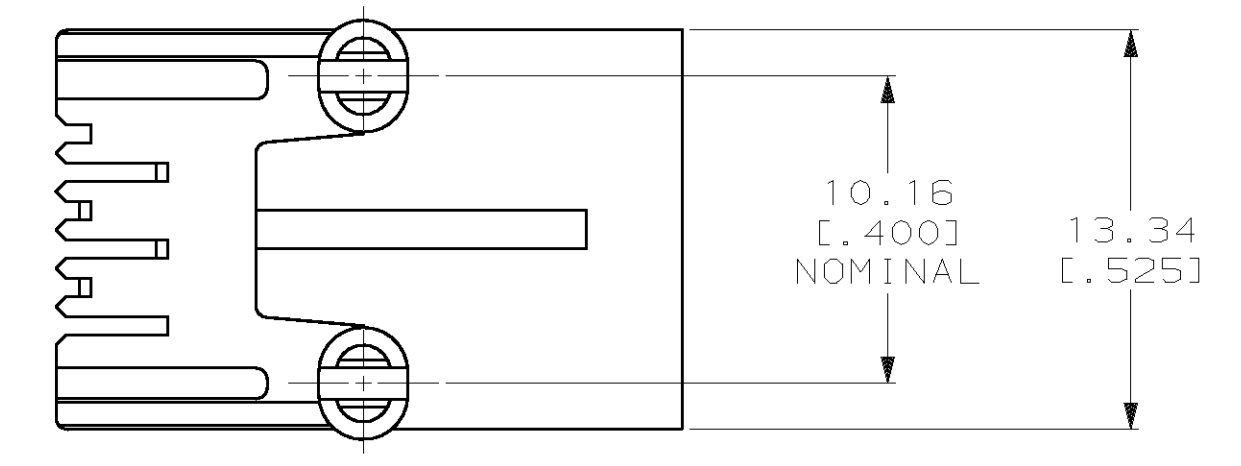
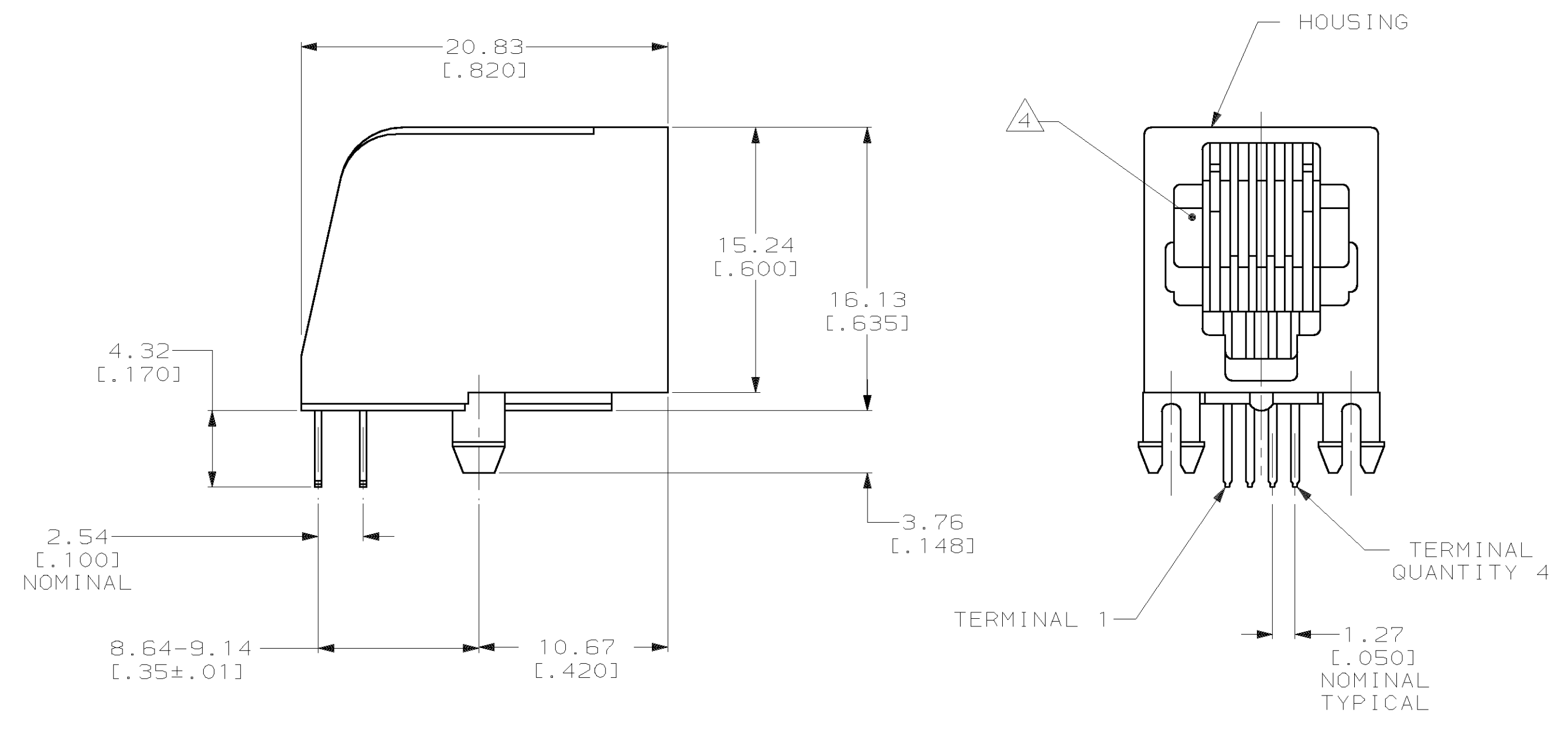
Email & Skype: info@chipsmall.com Web: www.chipsmall.com

Address: A1208, Overseas Decoration Building, #122 Zhenhua RD., Futian, Shenzhen, China

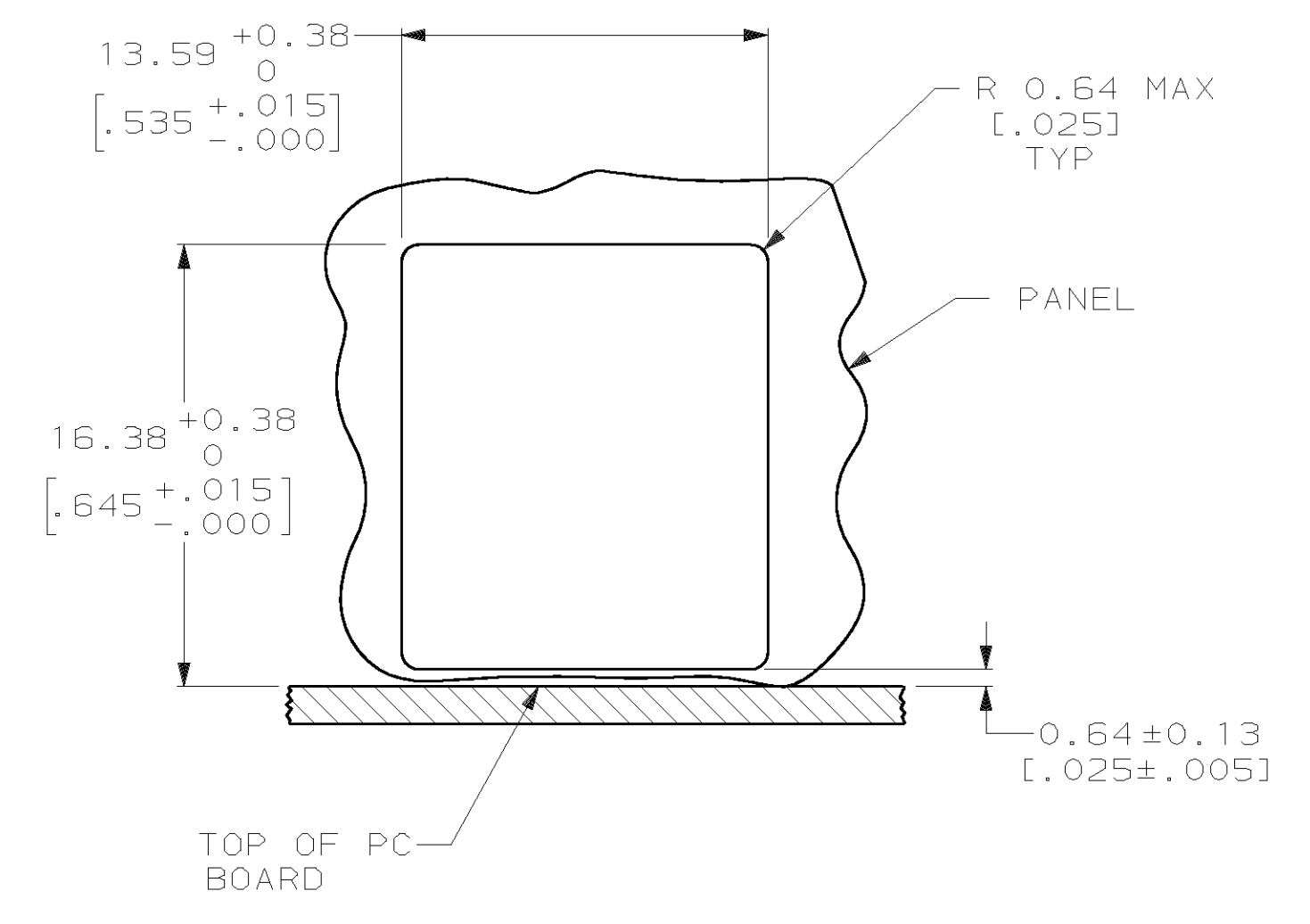


LOC		DIST		P		F		ZONE		LTR		REVISIONS			
AA	22											DESCRIPTION	DATE	APPD	
												D	SUPERSEDED: -2; EC 0UFO-0006-01	20SEP01	DD

- 1 MATERIAL; HOUSING - PBT POLYESTER, BLACK
 TERMINALS - 0.36[.014] THICK PHOS-BRONZE
 PLATED WITH 1.27µm[.000050] MINIMUM THICK
 HARD GOLD IN LOCALIZED GOLD PLATE AREA
 AND 3.81µm[.000150] MINIMUM THICK TIN-LEAD
 IN SOLDER AREA OVER 1.27µm[.000050] MINIMUM
 THICK NICKEL UNDERPLATE.
- 2 ALL DIMENSIONS SHOWN ARE MAXIMUM
 UNLESS OTHERWISE SPECIFIED.
- 3. TERMINALS LOCATED IN CENTER POSITIONS.
- 4 CAVITY CONFORMS TO FCC RULES AND
 REGULATIONS PART 68 AND REA BULLETIN
 345-81 PE-76 SPECIFICATION FOR MODULAR
 TELEPHONE HARDWARE.
- 5 BULK PACKAGED IN A TRAY.
- 6 36 ASSEMBLIES PACKAGED PER TUBE.



PRINTED CIRCUIT BOARD LAYOUT
 NONCOMPONENT SIDE SHOWN



PANEL CUTOUT

SUPERSEDED BY 555979-1	555979-2
PACKAGED	PART NUMBER

DO NOT SCALE PRINT. UNLESS SPECIFIED DIMENSIONS IN mm [INCHES] TOLERANCES ON: 2 PLC DEC ± 3 PLC DEC ± ANGLES ±	DR 6-5-95 S. TUCKER CHK 6-5-95 B. FOX APPD 6-5-95 J. TONEY APPD 6-5-95 H. McGRATH	AMP Incorporated Harrisburg, PA 17105-3608 NAME MODULAR JACK ASSEMBLY, SIDE ENTRY, 6 POSITION/4 CONTACTS, FLANGELESS WITHOUT PANEL STOPS
MATERIAL	PRODUCT SPEC 108-1163	
FINISH	APPLICATION SPEC 114-2048	SIZE D
WEIGHT		CAGE CODE 00779
		DRAWING NO C-555979
		SCALE 4:1
		SHEET 1 OF 1

THIS DRAWING IS A CONTROLLED DOCUMENT FOR
 AMP INCORPORATED. IT IS SUBJECT TO CHANGE
 AND THE CONTROLLING ENGINEERING ORGANIZATION
 SHOULD BE CONTACTED FOR THE LATEST REVISION.