



Chipsmall Limited consists of a professional team with an average of over 10 year of expertise in the distribution of electronic components. Based in Hongkong, we have already established firm and mutual-benefit business relationships with customers from,Europe,America and south Asia,supplying obsolete and hard-to-find components to meet their specific needs.

With the principle of “Quality Parts,Customers Priority,Honest Operation,and Considerate Service”,our business mainly focus on the distribution of electronic components. Line cards we deal with include Microchip,ALPS,ROHM,Xilinx,Pulse,ON,Everlight and Freescale. Main products comprise IC,Modules,Potentiometer,IC Socket,Relay,Connector.Our parts cover such applications as commercial,industrial, and automotives areas.

We are looking forward to setting up business relationship with you and hope to provide you with the best service and solution. Let us make a better world for our industry!



## Contact us

Tel: +86-755-8981 8866 Fax: +86-755-8427 6832

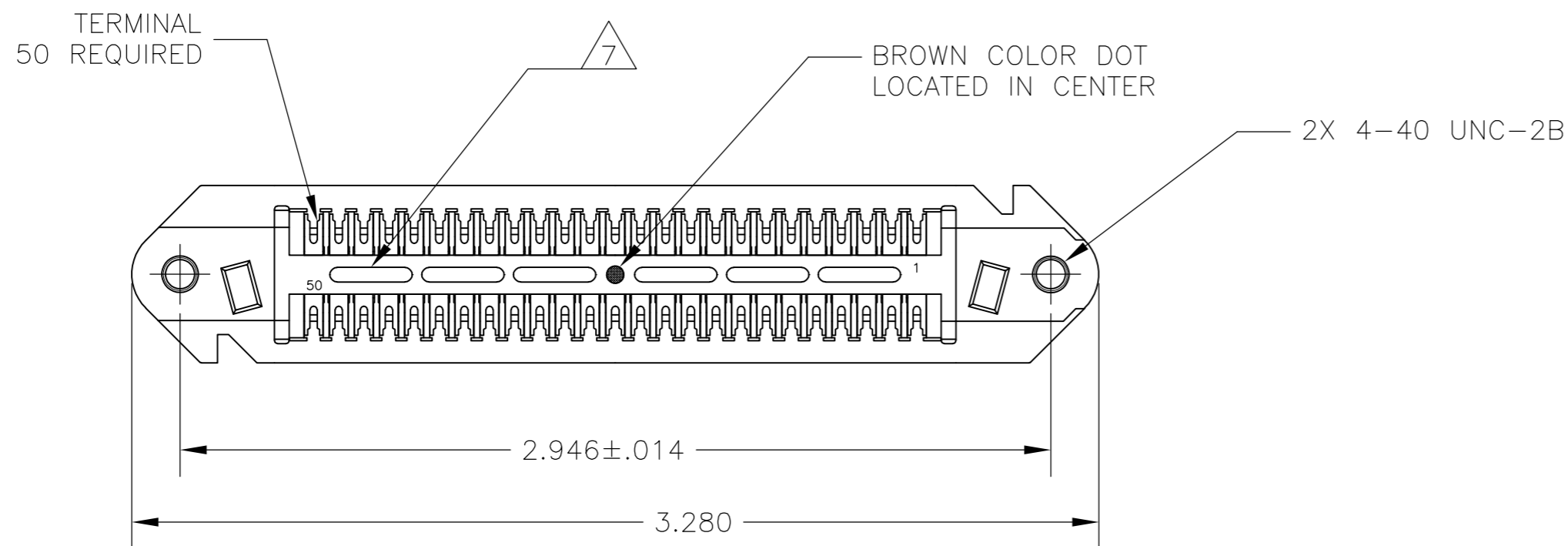
Email & Skype: info@chipsmall.com Web: www.chipsmall.com

Address: A1208, Overseas Decoration Building, #122 Zhenhua RD., Futian, Shenzhen, China

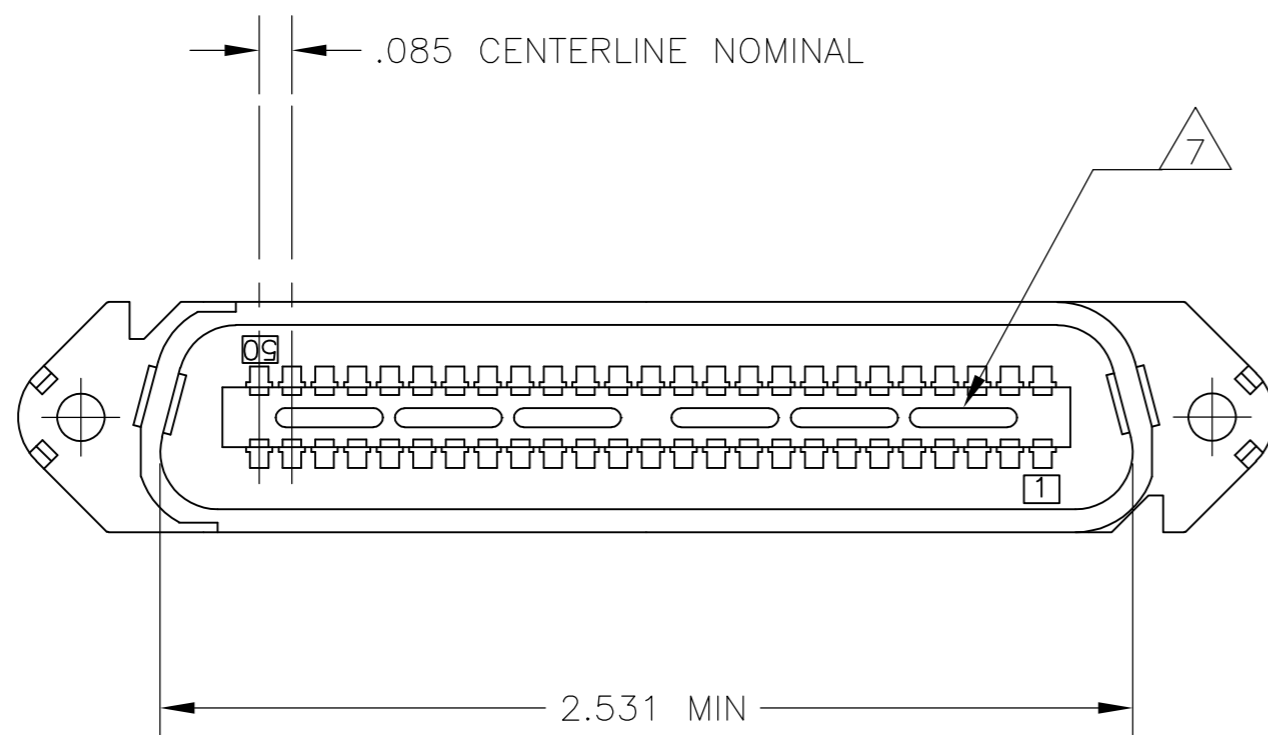
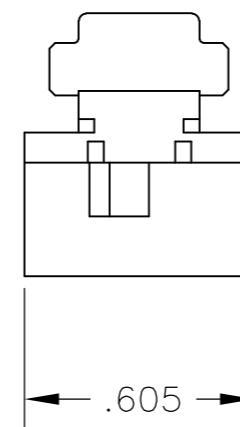
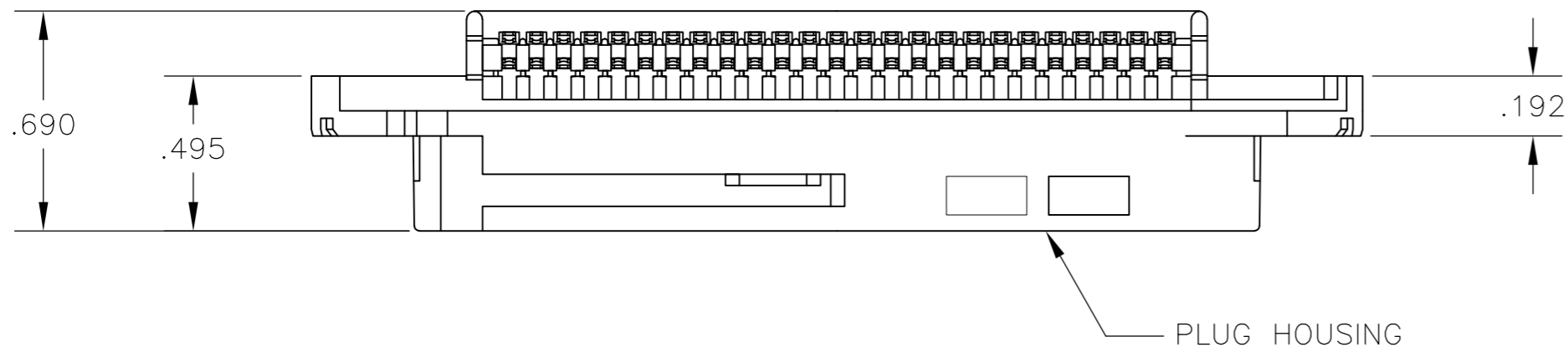


THIS DRAWING IS UNPUBLISHED. RELEASED FOR PUBLICATION  
 © COPYRIGHT BY TYCO ELECTRONICS CORPORATION. ALL INTERNATIONAL RIGHTS RESERVED.

| LOC | DIST | REVISIONS |     |                                    |           |     |      |
|-----|------|-----------|-----|------------------------------------|-----------|-----|------|
| GP  | 00   | P         | LTR | DESCRIPTION                        | DATE      | DWN | APVD |
|     |      | A         |     | REDRAWN, REVISED PER ECO-09-020146 | 21SEP2009 | CJV | PAR  |



1. THE CONTACT SURFACES OF THE TERMINALS ARE COATED WITH LUBRICANT.
2. ALL DIMENSIONS SHOWN ARE MAXIMUM UNLESS OTHERWISE SPECIFIED.
3. MATERIAL: HOUSING - POLYPHENYLENE, BLACK.  
TERMINALS - PHOSPHOR BRONZE PLATED WITH EITHER .000030 MIN GOLD OR GOLD FLASH OVER PALLADIUM NICKEL .000030 MIN TOTAL ON MATING SURFACE, ALL OVER .000050 MIN NICKEL UNDERPLATE.
4. WIRE SIZE: 22 AWG SOLID OR STRANDED COPPER CONDUCTORS. INSULATION DIAMETER OF .045-.056 IS ACCEPTABLE FOR MOST APPLICATIONS.
5. SEE PRODUCT SPECIFICATION 108-6005 FOR PERFORMANCE SPECIFICATIONS.
6. 100 ASSEMBLIES SHIPPED BULK PACKAGED.
7. CORING MAY OR MAY NOT APPEAR AND IS AT THE DISCRETION OF TYCO ELECTRONICS.



556039-1  
 PART NUMBER

|  |  |                                 |   |                    |
|--|--|---------------------------------|---|--------------------|
| THIS DRAWING IS A CONTROLLED DOCUMENT. |  | DWN<br>B.T. HOOTEN<br>21JUL1988 | Tyco Electronics Corporation<br>Harrisburg, PA 17105-3608 |                    |
| DIMENSIONS:<br>INCHES                  |  | CHK<br>B. FOX<br>25JUL1988      | NAME<br>PLUG ASSY, 50 POSN, F SLOT<br>SCR LOCK, CHAMP-LOK |                    |
| TOLERANCES UNLESS OTHERWISE SPECIFIED: |  | APVD<br>J. TRAMMEL<br>26JUL1988 | PRODUCT SPEC<br>APPLICATION SPEC                          |                    |
| MATERIAL                               |  | WEIGHT                          | SIZE<br>A2  | CAGE CODE<br>00779 |
| FINISH                                 |  | WEIGHT                          | SCALE<br>2:1  | SHEET<br>1 of 1    |
| FINISH                                 |  | WEIGHT                          | SCALE<br>2:1  | SHEET<br>1 of 1    |
| FINISH                                 |  | WEIGHT                          | SCALE<br>2:1  | SHEET<br>1 of 1    |
| FINISH                                 |  | WEIGHT                          | SCALE<br>2:1  | SHEET<br>1 of 1    |