



Chipsmall Limited consists of a professional team with an average of over 10 year of expertise in the distribution of electronic components. Based in Hongkong, we have already established firm and mutual-benefit business relationships with customers from,Europe,America and south Asia,supplying obsolete and hard-to-find components to meet their specific needs.

With the principle of “Quality Parts,Customers Priority,Honest Operation,and Considerate Service”,our business mainly focus on the distribution of electronic components. Line cards we deal with include Microchip,ALPS,ROHM,Xilinx,Pulse,ON,Everlight and Freescale. Main products comprise IC,Modules,Potentiometer,IC Socket,Relay,Connector.Our parts cover such applications as commercial,industrial, and automotives areas.

We are looking forward to setting up business relationship with you and hope to provide you with the best service and solution. Let us make a better world for our industry!



## Contact us

Tel: +86-755-8981 8866 Fax: +86-755-8427 6832

Email & Skype: info@chipsmall.com Web: www.chipsmall.com

Address: A1208, Overseas Decoration Building, #122 Zhenhua RD., Futian, Shenzhen, China





# Dialight LED Panel Mount Indicator Catalog

for LED and Relampable Products

# On when it counts.

---

Products and solutions that  
protect your business





## Typical Applications

Dialight's panel mount products are used for status indication in broad range of applications from heavy duty vehicles, military avionics displays to servers and communications equipment. Some examples of common applications are:

- Medical
- Military/Aviation
- Oil/Gas/Mining Equipment
- Food Processing
- Marine
- Wire and Harness
- Power Distribution
- Industrial Control Panels
- Test & Measurement
- Traffic controls and Rail Applications
- Servers & Storage
- Transportation
- Fan Trays

## About Dialight (Signal and Component Group)

In business since 1938, Dialight continues to pioneer some of the most innovative applications in LED technology since the development of LED in the early 1970's. We put our expertise to work for you by designing the most reliable and cost-effective LED products available. As a vertically integrated supplier, Dialight has the resources to design and produce everything in-house, supported by a global sales distribution network.



# Table of Contents

---

## LED Panel Mount Indicators\*

249 Series - 0.375" (9.53mm)	6-7
556 Series - 1" (25.40mm)	8-13
557 Series - 0.688" (17.46mm)	14-15
558 Series - 0.156" (3.96mm)	16-17
559 Series - 0.250" (6.35mm)	18-19
600 Series - 0.205"-0.642" (5mm-16mm)	20-31
656 Series - 0.5" (12.7mm)	32-35
657 Series - 0.688" (17.46mm)	36-38
670 Series - 0.205"-0.642" (5mm-16mm)	39-53

## LED Bulbs

Based LED Bulbs	54-73
Incandescent Lamp / Based LED Cross-reference guide	74-76

## Relampable Lampholders and Caps\*

3/8" (9.53mm) - Mounting hole	77
15/32" (11.91mm) - Mounting hole	71-78
11/16" (17.46mm) - Mounting hole	78-79
1" (25.40mm) - Mounting Hole	80
Neon & Incandescent Panel Mount Indicator Part Numbering System	81

## Military Panel Mount Indicators

Military Panel Mount Indicators	82-85
Military Cross Reference Guide	86-87

\*LED Panel Mount Indicators Series with mounting hole diameter.

# 249 Series

## Front or Rear Panel Mount Indicators



### Application:

Dialight's 249 series LED panel mount indicator is available with a variety of LED's including AlInGap and InGan technology for high brightness applications. These indicators are designed for a variety of applications such as:

- Main and remote power indication
- Status indication
- Maintenance and warning indication
- Instrumentation
- Process control

...and many more!

### Certifications & Ratings

- RoHS Compliant

#### Mechanical information

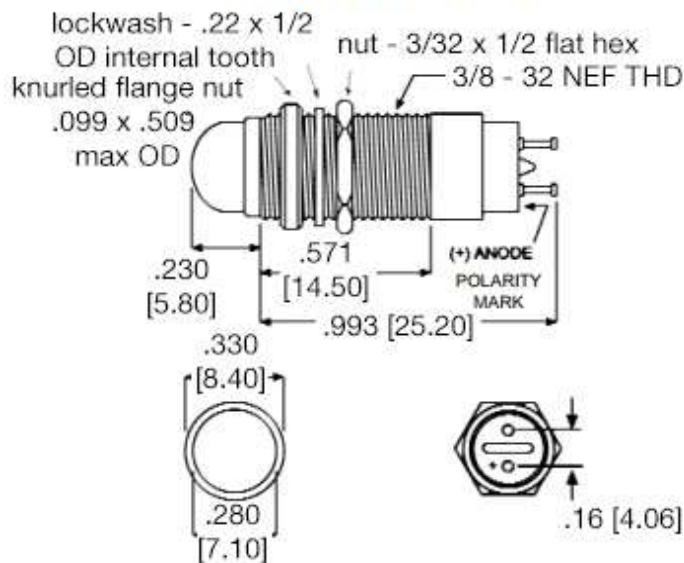
Mounting Hole Size:	0.375" (9.53 mm)
Max Panel Thickness:	0.312" (7.92 mm)
Mounting Torque:	8-10 in-lbs torque

#### Specifications

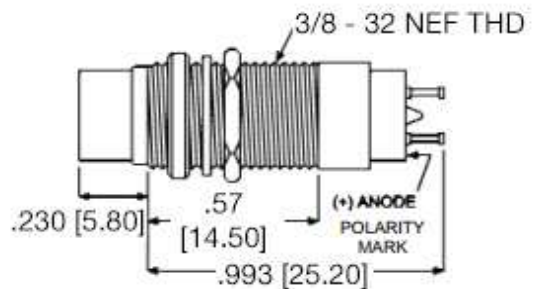
Voltage Options:	3.6, 5, 10, 14, and 28V DC	Terminals:	Phosphor Bronze – Fused Tin
Operating Temp:	-55°C to +71°C (-67°F to +159.8°F)	Knurled Flange Nut:	Aluminum – Black Anodized
Storage Temp:	-55°C to +71°C (-67°F to +159.8°F)	Lock Washer:	Phosphor Bronze – White Nickel Plated
Electrical Connection:	Turret terminals for wire wrapping	Nut:	Brass – White Nickel Plated
Housing:	Aluminum – Black Anodized		

#### Dimensions

### STOVEPIPE LENS



### CYLINDRICAL LENS 1



Cylindrical lens will provide wider viewing angle.

Dimension are in Inches [mm]

## 249 Series

### Ordering Information

Part Number	Color	Voltage (V DC)*	Current (mA)	Typical Intensity (mcd)
<b>Stovepipe Cap</b>				
249-4162-3734-504F	Blue	3.5**	10	1500
249-7867-3731-504F	Red	3.6	20	170
249-7967-3732-504F	Green	3.6	20	100
249-8067-3733-504F	Yellow	3.6	20	150
249-4164-3734-504F	Blue	5	10	1500
249-7868-3731-504F	Red	5	20	170
249-7968-3732-504F	Green	5	20	100
249-8068-3733-504F	Yellow	5	20	150
249-4166-3734-504F	Blue	10	10	1500
249-7870-3731-504F	Red	10	20	170
249-7970-3732-504F	Green	10	20	100
249-8070-3733-504F	Yellow	10	20	150
249-4167-3734-504F	Blue	14	10	1500
249-7871-3731-504F	Red	14	20	170
249-7971-3732-504F	Green	14	20	100
249-8071-3733-504F	Yellow	14	20	150
249-4168-3734-504F	Blue	28	10	1500
249-7872-3731-504F	Red	28	20	170
249-7972-3732-504F	Green	28	20	100
249-8072-3733-504F	Yellow	28	20	150
<b>Cylindrical Cap</b>				
249-4162-3334-504F	Blue	3.5**	10	700
249-7867-3331-504F	Red	3.6	20	55
249-7967-3332-504F	Green	3.6	20	40
249-8067-3333-504F	Yellow	3.6	20	75
249-4164-3334-504F	Blue	5	10	700
249-7868-3331-504F	Red	5	20	55
249-7968-3332-504F	Green	5	20	40
249-8068-3333-504F	Yellow	5	20	75
249-4166-3334-504F	Blue	10	10	700
249-7870-3331-504F	Red	10	20	55
249-7970-3332-504F	Green	10	20	40
249-8070-3333-504F	Yellow	10	20	75
249-4167-3334-504F	Blue	14	10	700
249-7871-3331-504F	Red	14	20	55
249-7971-3332-504F	Green	14	20	40
249-8071-3333-504F	Yellow	14	20	75
249-4168-3334-504F	Blue	28	10	700
249-7872-3331-504F	Red	28	20	55
249-7972-3332-504F	Green	28	20	40
249-8072-3333-504F	Yellow	28	20	75

\*Dialight recommends tolerance of 5% of specified voltage range.

\*\*VF typical - Requires current limiting resistor



# 556 Series

## Standard Panel Mount Indicators



### Application:

The 556 Series LED Panel Mount Indicators incorporate both InGaN and AlInGaP technologies to offer maximum light output. This is a highly durable package, designed to withstand outdoor applications susceptible to rain, dust and sunlight.

- Instrument panels
- Safety applications
- Transportation - rail, bus, airline
- Vending, gaming
- Lane control
- Display lighting

...and many more!

### Certifications & Ratings

- UL 1598 (E156890)
- IP66
- NEMA 4x
- RoHS Compliant w/6C exemption
- IK07

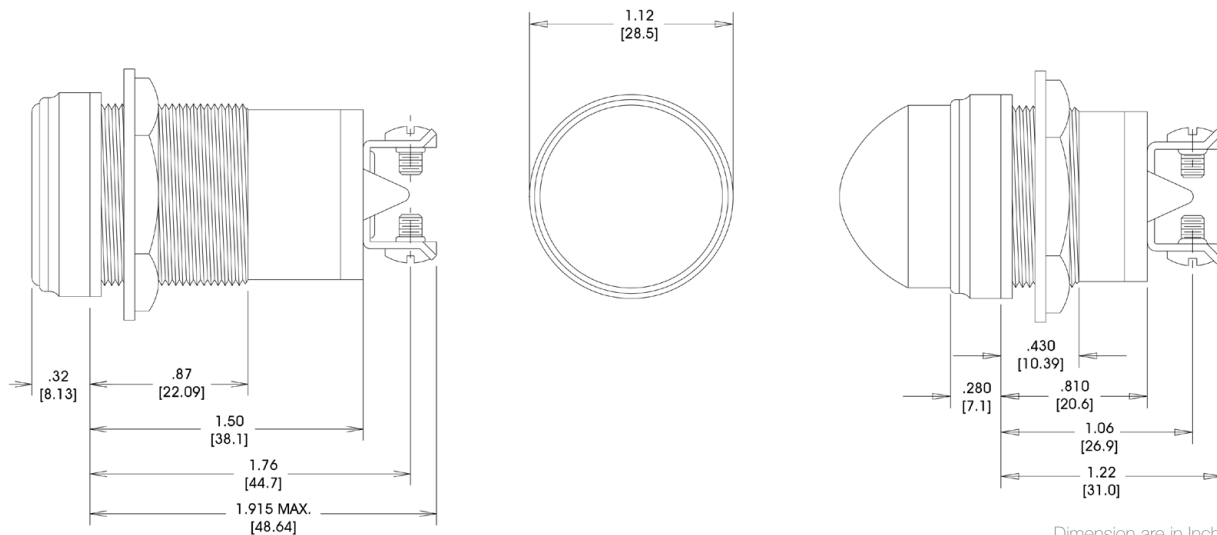
### Mechanical information

<b>Mounting Hole Size:</b>	1.0" (25.4 mm)
<b>Max Panel Thickness:</b>	Flat: 0.600" (15.24 mm) Dome: 0.187" (4.27 mm)
<b>Mounting Torque:</b>	40 in-lbs

### Specifications

<b>Voltage Options:</b>	12 to 125V DC, and 125, 230V AC	<b>Terminals:</b>	Brass – Hot solder dip per Mil-F-14072D, M258, Type II
<b>Operating Temp:</b>	-30°C to +85°C (-22°F to +185°F)	<b>Lens Material:</b>	Transparent Polycarbonate (UL 94V-0)
<b>Storage Temp:</b>	-40°C to +100°C (-40°F to +212°F)	<b>Lock Washer:</b>	Phosphor Bronze – White Nickel Plated
<b>Electrical Connection:</b>	6-32 Screw Terminals	<b>Nut:</b>	Brass – White Nickel Plated
<b>Housing:</b>	Nickel plated brass, other plating options available		

### Dimensions



Dimension are in Inches [mm]

# 556 Series

## Ordering Information

Part Number	Lens Style	Color	Voltage	Voltage Type	Current (mA)	Typical Intensity (mcd)
556-1003-304F	Flat	White	12	V DC	60	6900
556-1503-304F	Flat	Red	12	V DC	95	5100
556-1603-304F	Flat	Green	12	V DC	60	6900
556-1683-304F	Flat	Cyan	12	V DC	60	6900
556-1703-304F	Flat	Yellow	12	V DC	95	5100
556-1803-304F	Flat	Blue	12	V DC	60	2000
556-1903-304F	Flat	Orange	12	V DC	95	5100
556-1004-304F	Flat	White	24	V DC	32	6900
556-1504-304F	Flat	Red	24	V DC	46	5100
556-1604-304F	Flat	Green	24	V DC	32	6900
556-1684-304F	Flat	Cyan	24	V DC	32	6900
556-1704-304F	Flat	Yellow	24	V DC	46	5100
556-1804-304F	Flat	Blue	24	V DC	32	2000
556-1904-304F	Flat	Orange	24	V DC	46	2000
556-1508-304F	Flat	Red	37.5	V DC	20	4500
556-1608-304F	Flat	Green	37.5	V DC	16	6900
556-1708-304F	Flat	Yellow	37.5	V DC	20	4500
556-1506-304F	Flat	Red	72	V DC	18.5	3100
556-1606-304F	Flat	Green	72	V DC	16	3100
556-1706-304F	Flat	Yellow	72	V DC	20	1700
556-1806-304F	Flat	Blue	72	V DC	18.5	1700
556-1007-304F	Flat	White	125	V DC	10.5	3100
556-1507-304F	Flat	Red	125	V AC	10	1200
556-1607-304F	Flat	Green	125	V DC	10	1700
556-1707-304F	Flat	Yellow	125	V DC	10	1200
556-1005-304F	Flat	White	125	V AC	11	3100
556-1505-304F	Flat	Red	125	V AC	10.5	2000
556-1605-304F	Flat	Green	125	V AC	9.5	3100
556-1685-304F	Flat	Yellow	125	V AC	9.5	3100
556-1705-304F	Flat	Yellow	125	V AC	10.5	2000
556-1805-304F	Flat	Blue	125	V AC	9.5	860
556-1905-304F	Flat	Orange	125	V AC	10.5	860
556-1009-304F	Flat	White	230	V AC	6	3100
556-1509-304F	Flat	Red	230	V AC	7	2000
556-1609-304F	Flat	Green	230	V AC	7	3100
556-1709-304F	Flat	Yellow	230	V AC	7	2000
556-1809-304F	Flat	Blue	230	V AC	7	860
556-1909-304F	Flat	Orange	230	V AC	7	3100

\*For Domed Lens Style replace 4th digit with "3" for example: 558-3003-304F

# 556 Series

## Day Light Viewable Panel Mount Indicators



### Application:

The 556 Series LED Panel Mount Indicators incorporate both InGaN and AlInGaP technologies to offer maximum light output. This is a highly durable package, designed to withstand outdoor applications susceptible to rain, dust and sunlight.

- Instrument panels
- UL 508 panel applications
- Power Generators
- Ground support vehicles
- Transportation - rail, bus, airline
- Display lighting
- Safety applications
- Agricultural controls
- Environmental Monitoring Equipment
- Pump system controllers
- Lane control

...and many more!

### Mechanical information

<b>Mounting Hole Size:</b>	1.0" (25.4 mm)
<b>Max Panel Thickness:</b>	0.600" (15.24 mm)
<b>Mounting Torque:</b>	40 in-lbs torque

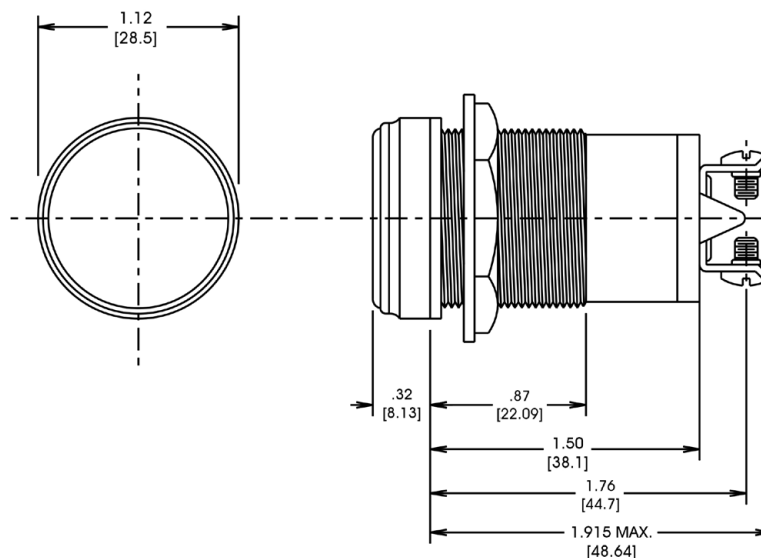
### Certifications & Ratings

- UL1598 (E156890)
- NEMA 4X
- IP66
- RohS Compliant w/6C exemption

### Specifications

<b>Voltage Options:</b>	12 to 125V DC and 125, 230V AC	<b>Terminals:</b>	Brass – Hot solder dip per Mil-F-14072D, M258, Type II
<b>Operating Temp:</b>	-30°C to +85°C (-22°F to +185°F)	<b>Lens Material:</b>	Clear UV Stabilized Polycarbonate (UL 94V-0)
<b>Storage Temp:</b>	-40°C to +100°C (-40°F to +212°F)	<b>Lock Washer:</b>	Phosphor Bronze – White Nickel Plated
<b>Electrical Connection:</b>	6-32 Screw Terminals	<b>Nut:</b>	Brass – White Nickel Plated
<b>Housing:</b>	Nickel plated brass, other plating options available		

### Dimensions



Dimension are in Inches [mm]

# 556 Series

## Ordering Information

Part Number	Color	Voltage	Voltage Type	Current (mA)	Typical Intensity (mcd)
556-1503-314F	Red	12	V DC	95	5100
556-1603-314F	Green	12	V DC	60	6900
556-1683-314F	Cyan	12	V DC	60	6900
556-1703-314F	Yellow	12	V DC	95	5100
556-1803-314F	Blue	12	V DC	60	2000
556-1903-314F	Orange	12	V DC	95	5100
556-1504-314F	Red	24	V DC	46	5100
556-1604-314F	Green	24	V DC	32	6900
556-1684-314F	Cyan	24	V DC	32	6900
556-1704-314F	Yellow	24	V DC	46	5100
556-1804-314F	Blue	24	V DC	32	2000
556-1904-314F	Orange	24	V DC	46	5100
556-1508-314F	Red	37.5	V DC	20	5100
556-1608-314F	Green	37.5	V DC	16	6900
556-1708-314F	Yellow	37.5	V DC	20	5100
556-1506-314F	Red	72	V DC	18.5	5100
556-1606-314F	Green	72	V DC	16	6900
556-1706-314F	Yellow	72	V DC	20	5100
556-1507-314F	Red	125	V DC	10	5100
556-1607-314F	Green	125	V DC	10	6900
556-1707-314F	Yellow	125	V DC	10	5100
556-1505-314F	Red	125	V AC	10.5	5100
556-1605-314F	Green	125	V AC	9.5	6900
556-1685-314F	Cyan	125	V AC	9.5	6900
556-1705-314F	Yellow	125	V AC	10.5	5100
556-1805-314F	Blue	125	V AC	9.5	2000
556-1905-314F	Orange	125	V AC	10.5	5100
556-1509-314F	Red	230	V AC	7	5100
556-1609-314F	Green	230	V AC	7	6900
556-1709-314F	Yellow	230	V AC	7	5100
556-1809-314F	Blue	230	V AC	7	2000
556-1909-314F	Orange	230	V AC	7	5100

# 556 Series

## Class 1, Div2, Panel Mount Indicator



### Application:

The 556 Series LED Panel Mount Indicators incorporate both InGaN and AlInGaP technologies to offer maximum light output. This is a highly durable package, designed to withstand outdoor applications susceptible to rain, dust and sunlight. In addition, the Class 1, Division 2 rating allows for use in hazardous environments common to the oil and gas, mining, and chemical industries

- Instrument panels
- Safety applications
- UL 508 panel applications
- Petrochemical applications
- Pump system controllers
- Environmental Monitoring Equipment specifications
- Mining application
- Oil Refineries
- Agricultural controls
- Power generators

...and many more!

### Mechanical information

<b>Mounting Hole Size:</b>	1.0" (25.4 mm)
<b>Max Panel Thickness:</b>	Flat: 0.600" (15.24 mm) Dome: 0.187" (4.27 mm)
<b>Mounting Torque:</b>	40 in-lbs torque

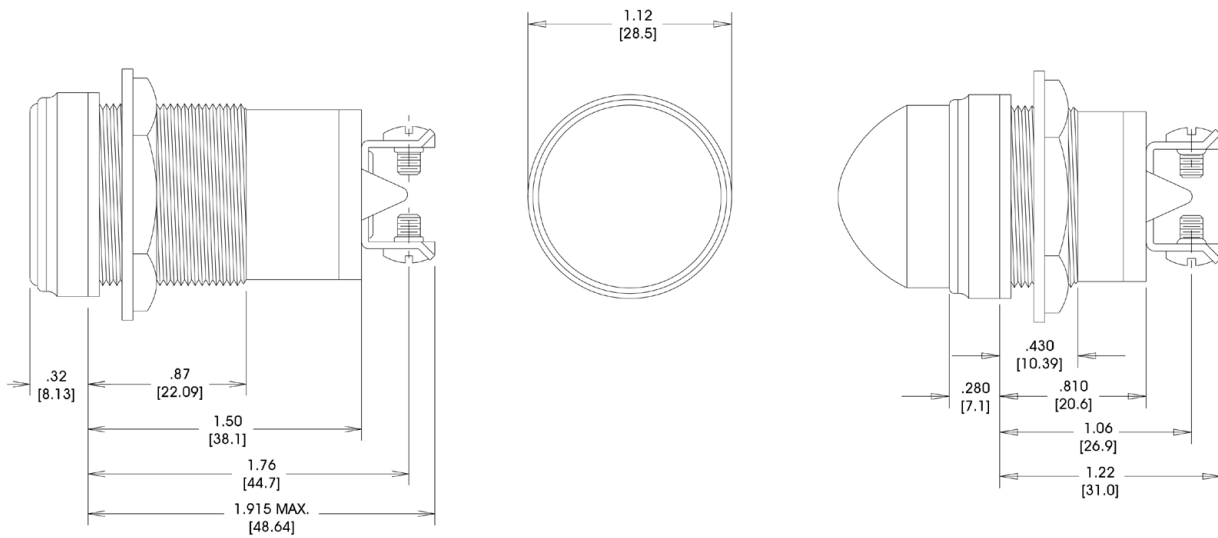
### Certifications & Ratings

- UL1598 (E156890)
- NEMA4X
- IP66
- IK07
- RoHS Compliant w/6C exemption

### Specifications

<b>Voltage Options:</b>	12 to 125V DC, 125, 230V AC	<b>Terminals:</b>	Brass – Hot solder dip per Mil-F-14072D, M258, Type II
<b>Operating Temp:</b>	-30°C to +85°C (-22°F to +185°F)	<b>Lens Material:</b>	Transparent Polycarbonate (UL 94V-0)
<b>Storage Temp:</b>	-40°C to +100°C (-40°F to +212°F)	<b>Lock Washer:</b>	Phosphor Bronze – White Nickel Plated
<b>Electrical Connection:</b>	6-32 Screw Terminals	<b>Nut:</b>	Brass – White Nickel Plated
<b>Housing:</b>	Nickel plated brass, other plating options available		

### Dimensions



# 556 Series

## Ordering Information

Part Number	Lens Style	Color	Voltage	Voltage Type	Current (mA)	Typical Intensity (mcd)
556-1003-324F	Flat	White	12	V DC	60	6900
556-1503-324F	Flat	Red	12	V DC	95	5100
556-1603-324F	Flat	Green	12	V DC	60	6900
556-1683-324F	Flat	Cyan	12	V DC	60	6900
556-1703-324F	Flat	Yellow	12	V DC	95	5100
556-1803-324F	Flat	Blue	12	V DC	60	2000
556-1903-324F	Flat	Orange	12	V DC	95	5100
556-1004-324F	Flat	White	24	V DC	32	6900
556-1504-324F	Flat	Red	24	V DC	46	5100
556-1604-324F	Flat	Green	24	V DC	32	6900
556-1684-324F	Flat	Cyan	24	V DC	32	6900
556-1704-324F	Flat	Yellow	24	V DC	46	5100
556-1804-324F	Flat	Blue	24	V DC	32	2000
556-1904-324F	Flat	Orange	24	V DC	46	2000
556-1508-324F	Flat	Red	37.5	V DC	20	4500
556-1608-324F	Flat	Green	37.5	V DC	16	6900
556-1708-324F	Flat	Yellow	37.5	V DC	20	4500
556-1006-324F	Flat	White	72	V DC	18.5	5100
556-1506-324F	Flat	Red	72	V DC	18.5	4500
556-1606-324F	Flat	Green	72	V DC	16	5100
556-1706-324F	Flat	Yellow	72	V DC	20	4500
556-1806-324F	Flat	Blue	72	V DC	18.5	1700
556-1007-324F	Flat	White	125	V DC	10.5	3100
556-1507-324F	Flat	Red	125	V DC	10	1200
556-1607-324F	Flat	Green	125	V DC	10	1700
556-1707-324F	Flat	Yellow	125	V DC	10	1200
556-1005-324F	Flat	White	125	V AC	11	3100
556-1505-324F	Flat	Red	125	V AC	10.5	2000
556-1605-324F	Flat	Green	125	V AC	9.5	3100
556-1685-324F	Flat	Cyan	125	V AC	9.5	3100
556-1705-324F	Flat	Yellow	125	V AC	10.5	2000
556-1805-324F	Flat	Blue	125	V AC	9.5	860
556-1905-324F	Flat	Orange	125	V AC	10.5	860
556-1009-324F	Flat	White	230	V AC	6	3100
556-1509-324F	Flat	Red	230	V AC	7	2000
556-1609-324F	Flat	Green	230	V AC	7	3100
556-1709-324F	Flat	Yellow	230	V AC	7	2000
556-1809-324F	Flat	Blue	230	V AC	7	860
556-1909-324F	Flat	Orange	230	V AC	7	3100

\*For domed lens style: replace 4th digit with "3" for example: 556-3003-324F

# 557 Series

## Daylight Viewable Panel Mount Indicators



### Application:

The 557 Series LED Panel Mount Indicators incorporate both InGaN and AlInGaP technologies to offer higher intensities. This is a highly durable package, designed to withstand out-door applications susceptible to rain, dust, and sunlight.

- Instrument panels
- Safety applications
- Transportation - rail, bus, airline
- Vending, gaming
- Lane control

and many more!

### Certifications & Ratings

- RoHS Compliant
- Watertight to Mil-L-3661B spec

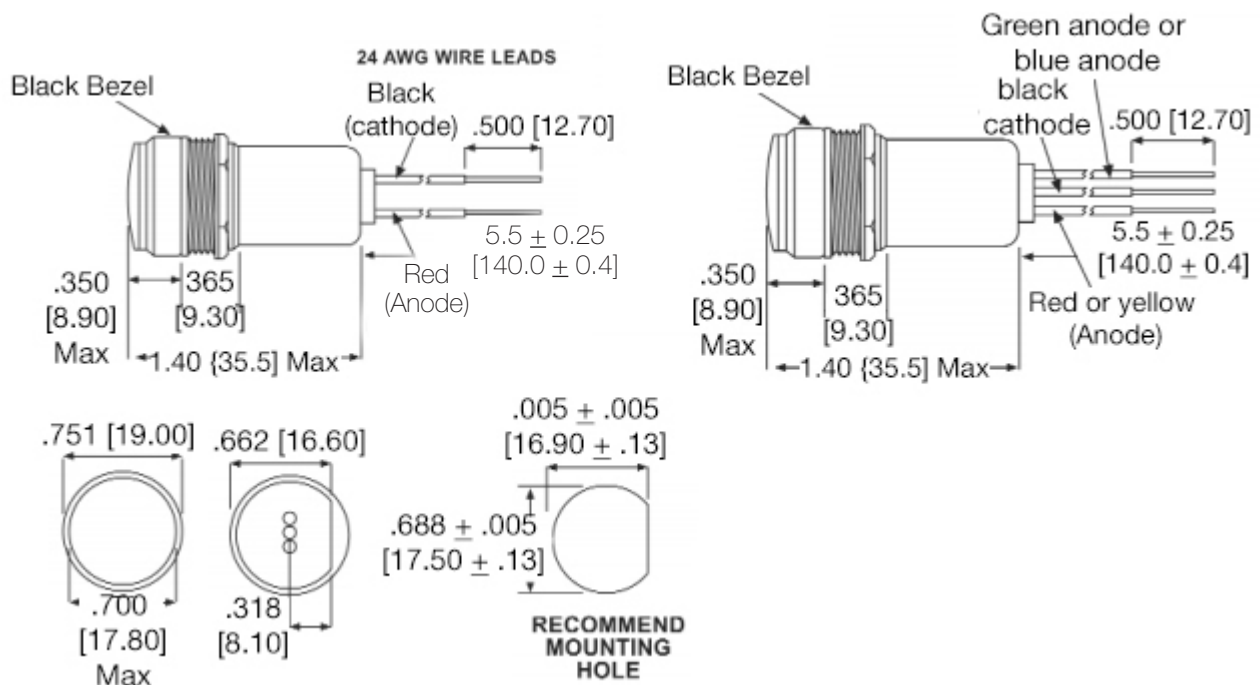
### Mechanical information

Mounting Hole Size:	0.687" (17.46mm)
Max Panel Thickness:	0.156" (3.96 mm)
Mounting Torque:	15 in-lbs torque

### Specifications

Voltage Options:	5, 12, 24, and 28V DC (Bi-color: 5V DC)	Lens Material:	Transparent Polycarbonate (UL 94V-0)
Operating Temp:	-25°C to +85°C (Bi-color: -30°C to +80°C)	Wire Leads:	6"
Storage Temp:	-30°C to +100°C (Bi-color: -40°C to +85°C)	Lock Washer:	Phosphor Bronze – White Nickel Plated
Electrical Connection:	24 AWG Wire Leads	Nut:	Brass – White Nickel Plated
Housing:	White Polycarbonate		

### Dimensions



# 557 Series

## Ordering Information

Part Number	Color	Voltage (V DC)	Current (mA)	Typical Intensity (mcd)
557-1502-203F	Red	5	80	1020
557-1602-203F	Green	5	16	3270
557-1702-203F	Yellow	5	80	1430
557-1802-203F	Blue	5	16	1020
557-1002-203F	White	5	16	2860
557-1412-203F	Red/Green	5	70/16	810/1220
557-1422-203F	Red/Blue	5	70/16	610/400
557-1432-203F	Yellow/Green	5	70/16	1630 / 2250
557-1442-203F	Yellow/Blue	5	70/16	810 / 610
557-1452-203F	Yellow/Red	5	70/20	610 / 810
557-1503-203F	Red	12	20	1020
557-1603-203F	Green	12	16	3270
557-1703-203F	Yellow	12	20	1430
557-1803-203F	Blue	12	16	1020
557-1003-203F	White	12	16	2860
557-1505-203F	Red	24	20	1020
557-1605-203F	Green	24	16	3270
557-1705-203F	Yellow	24	20	1430
557-1805-203F	Blue	24	16	1020
557-1005-203F	White	24	16	2860
557-1604-203F	Green	28	16	3270
557-1704-203F	Yellow	28	20	1430
557-1804-203F	Blue	28	16	1020



# 558 Series

## Snap-in LED - .156" (3.96mm) Mounting Hole Panel Mount Indicators



### Application:

Dialight's 558 series LED panel mount indicator is available with a variety of LEDs including AlInGaP and InGaN technology for high brightness applications, bicolor and integral resistors. These indicators are designed for a variety of applications such as:

- Fan tray assemblies
- Datacenter Infrastructure (Servers and Storage)
- Networking Equipment (Switches and routers)
- Storage Networking Hardware (Fibre channel host bus adapter cards)
- Next-Gen Wireless Infrastructure
- Electronic Test & Measurement Instruments
- Communications Testing Equipment

and many more!

### Certifications & Ratings

- RoHS Compliant

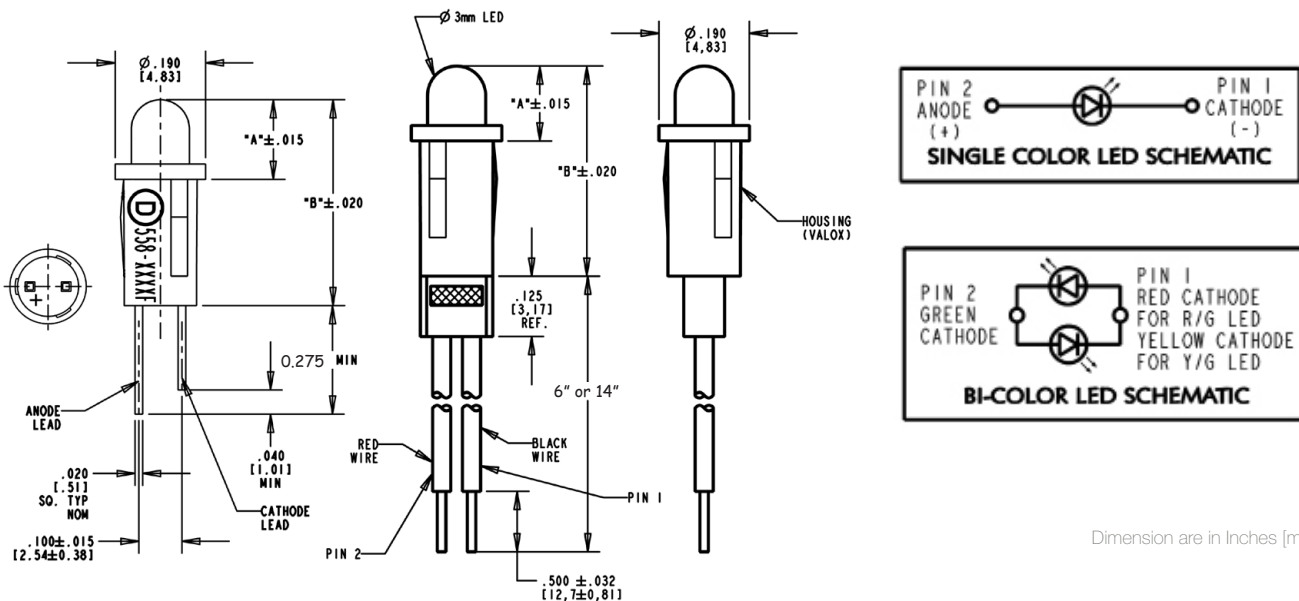
### Mechanical information

Mounting Hole Size:	0.155-0.158" (3.94-4.01mm)
Max Panel Thickness:	0.031 - 0.062" (.787 - 1.57 mm)
Mounting Torque:	N / A

### Specifications

Voltage Options:	1.8 - 3.3 V DC typical, 5 V DC typical (resistor included)	Connectors	Available upon request
Operating Temp:	See table	Possible Connectors:	Samtec IPD1-05-S-K
Storage Temp:	-55°C to +100°C (-67°F to +212°F)	Terminals	Available upon request
Electrical Connection:	Straight terminals for wire wrapping or 24 AWG lead wire	Possible Terminals:	Samtec CC79L-260-01-S; AMP 1-104480-3
Housing:	UL94V-0 and enhances LED contrast		

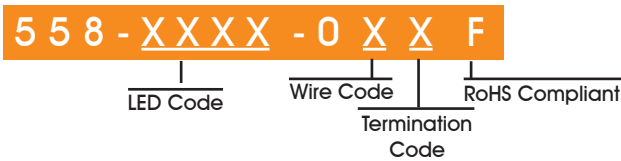
### Dimensions



Dimension are in Inches [mm]

# 558 Series

## Ordering Information



Wire Code	Wire Type
0	Standard
2	PVC Free

Termination Code	Termination Type
1	Straight Terminals
3	26 AWG 6" wire leads
7	26 AWG 14" wire leads

LED Code	Color	Peak Wavelength (nm)	Intensity Typ. (mcd)	If Typ. (mA)	Vf Typ. (V DC)	Viewing Angle	Max DC Forward Current (mA)	Type	Operating Temp	DIM "A"	DIM "B"
0102	Red	635	29	12	5	60	15	5V Integral Resistor	-40°C to +85°C	0.101	0.381
0202	Green	565	19	12	5	60	15	5V Integral Resistor	-40°C to +85°C	0.101	0.381
0302	Yellow	585	12.6	12	5	60	15	5V Integral Resistor	-40°C to +85°C	0.101	0.381
3001	Red/Green	630/565	5.6/8.7 @10mA	10/20	1.9/2.0 @20mA	200	30/30	Bi-Color	-55°C to +100°C	0.101	0.381
3101	Red/Green	660/565	12.6/3.7	20	1.6/2.1	200	40/30	Bi-Color	-55°C to +100°C	0.101	0.381
3201	Yellow/Green	585/565	5.8/12.3	10	2.1/2.1	80	20/30	Bi-Color	-55°C to +100°C	0.101	0.381
0101	Red	635	8.7	10	2	60	30	High Efficiency Diffused	-25°C to +85°C	0.111	0.391
0201	Green	565	12.6	10	2.1	60	30	High Efficiency Diffused	-25°C to +85°C	0.111	0.391
0301	Yellow	585	8.7	10	2.1	60	20	High Efficiency Diffused	-25°C to +85°C	0.111	0.391
0401	Orange	600	7	10	1.9	60	25	High Efficiency Diffused	-55°C to +85°C	0.101	0.381
1801	Red	660	60	20	1.8	60	40	High Efficiency Diffused	-55°C to +100°C	0.101	0.381
0803	Blue	468	57	10	3.2	100	30	Low Current Diffused	-40°C to +100°C	0.107	0.387
1101	Red	635	2.4	2	1.7	60	7	Low Current Diffused	-40°C to +100°C	0.101	0.381
1201	Yellow	585	1.4	2	1.8	60	7	Low Current Diffused	-55°C to +100°C	0.101	0.381
1301	Green	565	1.6	2	1.9	60	7	Non-Tinted/Non-Diffused	-55°C to +100°C	0.101	0.381
0501	Green	565	70	20	2.1	45	30	Non-Tinted/Non-Diffused	-40°C to +100°C	0.101	0.381
0601	Yellow	592	200	20	1.9	45	50	Non-Tinted/Non-Diffused	-40°C to +100°C	0.101	0.381
0701	Red	660	170	20	1.8	45	40	Non-Tinted/Non-Diffused	-40°C to +85°C	0.101	0.381
6003	Blue	468	520	20	3.3	45	30	Non-Tinted/Non-Diffused	-40°C to +85°C	0.101	0.381
6403	White	Y=.31 Y=.32	3000	20	3.3	45	30	Non-Tinted/Non-Diffused	-40°C to +85°C	0.101	0.381
1501	Green	565	40	10	2.1	45	30	Tinted/Non-Diffused	-55°C to +100°C	0.101	0.381
1601	Yellow	585	70	20	2.1	45	20	Tinted/Non-Diffused	-55°C to +100°C	0.101	0.381
1701	Red	660	170	20	1.8	45	40	Tinted/Non-Diffused	-40°C to +100°C	0.101	0.381
6203	Green	518	85	2	2.1	100	30	White Diffused	-45°C to +85°C	0.101	0.381

# 559 Series

## Snap-in LED - .250" (6.35mm) Mounting Hole Panel Mount Indicators



### Application:

Dialight's 559 series LED panel mount indicator is available with a variety of LEDs including AlInGaP and InGaN technology for high brightness applications, bi-color and integral resistors.

- Fan tray assemblies
- Data-center Infrastructure (Servers and Storage)
- Next-Gen Wireless Infrastructure
- Electronic Test & Measurement Instruments
- Communications Testing Equipment
- Handheld Devices

and many more!

### Certifications & Ratings

- RoHS Compliant

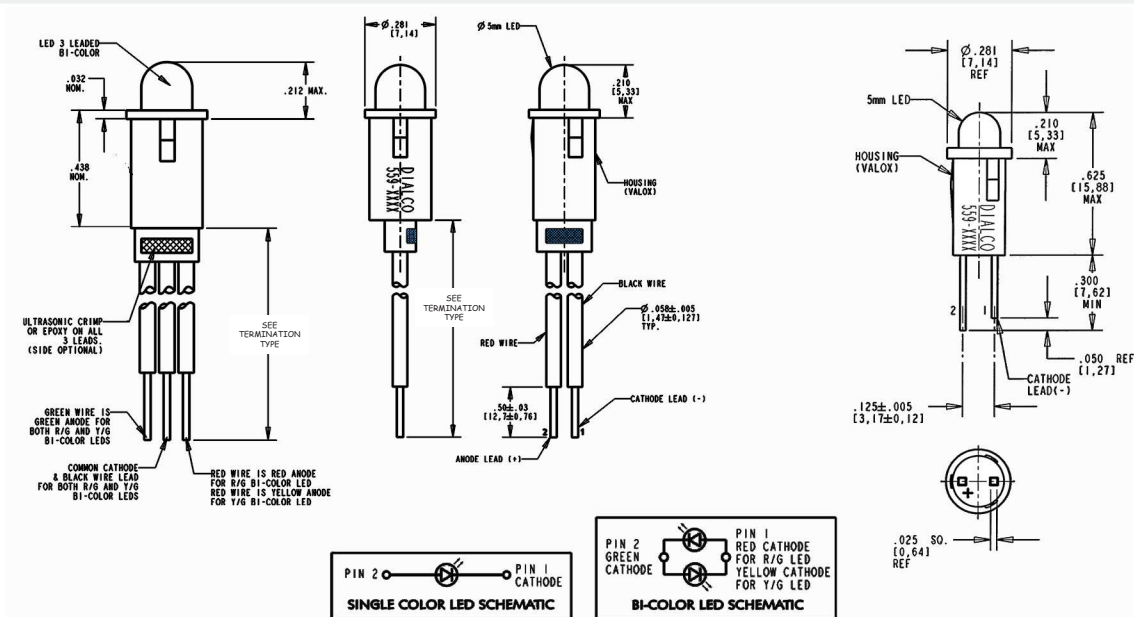
### Mechanical information

Mounting Hole Size:	0.249 - 0.252" (6.32 - 6.40 mm)
Max Panel Thickness:	0.031 - 0.062" (.787 - 1.57 mm)
Mounting Torque:	N/A

### Specifications

<b>Voltage Options:</b>	1.6 - 2.3 V DC typical (current limiting resistor required)	<b>Wire Leads:</b>	6" or 14"
	5, 12, 24V DC (resistor included)	<b>Connectors</b>	Available upon request
<b>Operating Temp:</b>	See table	<b>Possible Connectors:</b>	Molex 50-37-5033, 50-57-9202 AMP 3-643814-3
<b>Storage Temp:</b>	-55°C to +100°C (-67°F to +212°F)	<b>Terminals:</b>	Available upon request
<b>Electrical Connection:</b>	Straight terminals for wire wrapping or 24 AWG lead wire	<b>Possible Terminals:</b>	Molex 18-07-1040, 16-02-0069, 16-02-077 AMP 42067-1
<b>Housing:</b>	Black - UL94V-0 and enhances LED contrast		

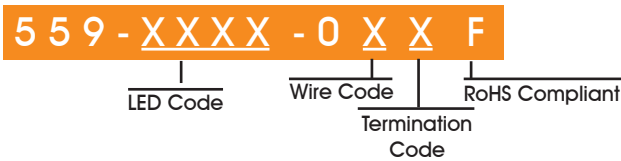
### Dimensions



Dimension are in Inches [mm]

# 559 Series

## Ordering Information



Wire Code	Wire Type
0	Standard
2	PVC Free

Termination Code	Termination Type
1	Straight Terminals
3	24 AWG 6" wire leads
7	24 AWG 14" wire leads

LED Code	Color	Peak Wavelength (nm)	Intensity Typ. (mcd)	If Typ. (mA)	Vf Typ. (V DC)	Viewing Angle	Max DC Forward Current (mA)	Type	Operating Temp
5501	Red	635	125	20	2.2	24	30	Non-Tinted/Non-Diffused	-55°C to +100°C
5601	Green	565	120	20	2.3	24	30	Non-Tinted/Non-Diffused	-20°C to +100°C
5701	Yellow	583	140	20	2.1	24	20	Non-Tinted/Non-Diffused	-55°C to +100°C
5801	Orange	605	90	20	2.2	20	50	Non-Tinted/Non-Diffused	-30°C to +85°C
5901	Yellow	592	3100	20	2	15	50	Non-Tinted/Non-Diffused	-40°C to +100°C
6001	Blue	470	1500	20	3.6	30	30	Non-Tinted/Non-Diffused	-30°C to +85°C
6101	Red	635	2100	20	1.9	15	50	Non-Tinted/Non-Diffused	-40°C to +100°C
6201	Green	525	5000	20	3.2	30	30	Non-Tinted/Non-Diffused	-30°C to +85°C
6301	Orange	609	4000	20	1.9	15	50	Non-Tinted/Non-Diffused	-40°C to +100°C
6401	White	X=.31 Y=.32	2500	20	3.2	50	30	Non-Tinted/Non-Diffused	-30°C to +85°C
1101	Red	635	2.3	2	1.7	50	7	Low Current Diffused	-55°C to +100°C
1201	Yellow	583	1.8	2	1.9	50	7	Low Current Diffused	-55°C to +100°C
1301	Green	565	1.8	2	1.8	50	7	Low Current Diffused	-55°C to +100°C
2101	Red	650	6.3	10	2.2	50	20	Diffused	-25°C to +85°C
2201	Green	563	10	10	2.1	65	25	Diffused	-25°C to +85°C
2301	Yellow	585	29	10	1.9	50	20	Diffused	-55°C to +100°C
2501	Orange	600	7	10	1.9	60	30	Diffused	-55°C to +100°C
5101	Red	650	34	20	2.1	50	25	Diffused	-55°C to +100°C
5201	Green	563	34	20	2.2	50	25	Diffused	-55°C to +100°C
5301	Yellow	585	34	20	2.2	50	25	Diffused	-55°C to +100°C
5401	Orange	610	34	20	2.2	50	25	Diffused	-20°C to +85°C
0102	Red	635	8	10	5	60	15	5V Integral Resistor	-40°C to +85°C
0202	Green	565	8	12	5	60	15	5V Integral Resistor	-20°C to +85°C
0302	Yellow	583	8	10	5	60	15	5V Integral Resistor	-40°C to +85°C
0103	Red	635	8	13	12	60	15	12V Integral Resistor	-55°C to +100°C
0203	Green	565	8	13	12	60	15	12V Integral Resistor	-20°C to +85°C
0303	Yellow	583	8	13	12	60	15	12V Integral Resistor	-40°C to +85°C
5904	Yellow	592	3100	20	24	15	50	24V Integral Resistor	-30°C to +85°C
6104	Red	635	2100	20	24	15	50	24V Integral Resistor	-30°C to +85°C
5204	Green	525	5000	20	24	30	50	24V Integral Resistor	-30°C to +85°C
3001	Red/Green	660/565	90/40	20	1.8/2.1	60	40/30	2 leaded Bi-color	-55°C to +100°C
3201	Yellow/Green	585/565	12.6/19	20	2.1/2.1	50	20/30	2 leaded Bi-color	-55°C to +100°C
3501	Red/Green	635/565	5.0/8.0	10	2.1/2.3	65	30	3 leaded Bi-color	-20°C to +85°C
3601	Yellow/Green	590/568	9/13.5	10	2/2.1	65	30	3 leaded Bi-color	-20°C to +85°C

# 605 Series

## 5mm Panel Mount Indicator



### Application:

The 605 Series LED Panel Mount Indicators are designed for a variety of applications such as:

- Main power indication
- Remote power indication
- Status indication
- Maintenance and warning indication
- Instrumentation

and many more!

### Certifications & Ratings

- RoHS Compliant

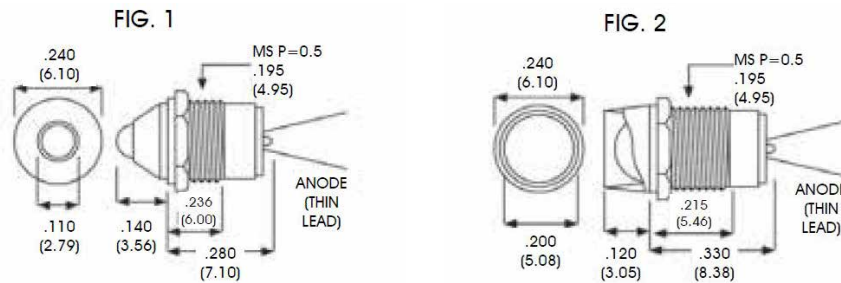
#### Mechanical information

<b>Mounting Hole Size:</b>	0.2047" (5.2 mm)
<b>Max Panel Thickness:</b>	0.138" (3.5 mm)
<b>Mounting Torque:</b>	0.362 lbs/ft (5 kg/cm) torque

#### Specifications

<b>Voltage Options:</b>	2 V DC (current limiting resistor required)	<b>Housing:</b>	Chrome plated brass
<b>Operating temp:</b>	-25°C to +85°C (-13°F to +185°F)	<b>Terminals:</b>	Copper-Nickel Plated
<b>Storage Temp:</b>	-25°C to +100°C (-13°F to +212°F)	<b>Lock washer:</b>	Iron-Nickel Plated
<b>Electrical Connection:</b>	Through hole leads	<b>Nut:</b>	Brass-Nickel Plated

#### Dimensions



Dimension are in Inches [mm]

Part Number	Color	Voltage (V DC)	Current (mA)	Typical Intensity (mcd)	Led Position	Finish	Figure
605-1111-110F	Red	2	15	38	Protruding	Chrome	1
605-1211-110F	Green	2	15	72	Protruding	Chrome	1
605-1311-110F	Yellow	2	15	53	Protruding	Chrome	1
605-2111-110F	Red	2	15	38	Recess	Chrome	2
605-2211-110F	Green	2	15	72	Recess	Chrome	2
605-2311-110F	Yellow	2	15	53	Recess	Chrome	2

# 606 Series

## 6mm Panel Mount Indicators



### Application:

The 606 Series LED Panel Mount Indicators are designed for a variety of applications such as:

- Main power indication
- Remote power indication
- Status indication
- Maintenance and warning indication
- Instrumentation

and many more!

### Certifications & Ratings

- RoHS Compliant

#### Mechanical information

Mounting Hole Size:	0.248" (6.3 mm)
Max Panel Thickness:	0.138" (3.5 mm)
Mounting Torque:	0.362 lbs/ft (5 kg/cm) torque

#### Specifications

Voltage Options:	2 V DC (resistor required)	Housing:	Chrome plated brass
	6 and 12 V DC - Bi-color (no resistor required)	Terminals:	Through hole leads
Operating Temp:	-25°C to +85°C (-13°F to +185°F)	Wire Leads:	6" on Bi-color only
Storage Temp:	-25°C to +100°C (-13°F to +212°F)	Lock Washer:	Iron-Nickel Plated
Electrical Connection:	Through hole and 24AWG wire leads (Bi-color only)	Nut:	Brass-Nickel Plated

#### Dimensions

FIG. 1

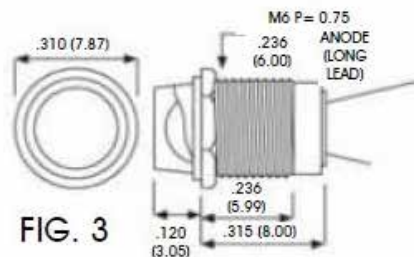
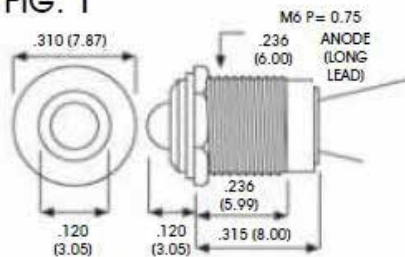
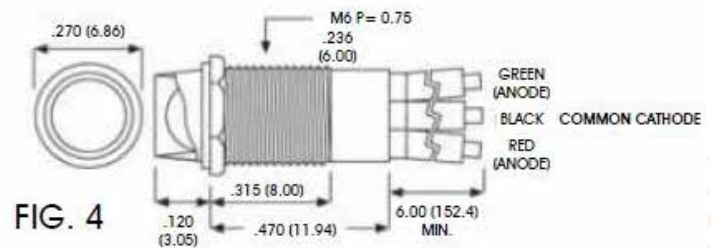
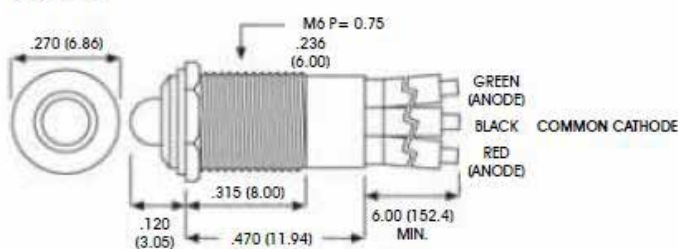


FIG. 2



Dimension are in Inches [mm]

## 606 Series

### Ordering Information

Part Number	Color	Voltage (V DC)	Current (mA)	Typical Intensity* (mcd)	LED Position	Finish	Figure
606-1111-110F	Red	2	5	8	Protruding	Chrome	1
606-1211-110F	Green	2	15	30	Protruding	Chrome	1
606-1311-110F	Yellow	2	15	30	Protruding	Chrome	1
606-1215-110F	Green	2	15	30	Protruding	Chrome	1 w/ Wire Leads
606-1415-110F	Red/Green	2	10	35/18	Protruding	Chrome	2
606-1415-120F	Red/Green	6	10	35/18	Protruding	Chrome	2
606-1415-130F	Red/Green	12	10	35/18	Protruding	Chrome	2
606-2111-110F	Red	2	5	8	Recess	Chrome	3
606-2211-110F	Green	2	15	30	Recess	Chrome	3
606-2311-110F	Yellow	2	15	30	Recess	Chrome	3
606-2415-110F	Red/Green	2	10	35/18	Recess	Chrome	4
606-2415-120F	Red/Green	6	10	35/18	Recess	Chrome	4
606-2415-130F	Red/Green	12	10	35/18	Recess	Chrome	4

\*Bi-color intensity (RED/GREEN)

# 607 Series

## 7mm Panel Mount Indicators



### Application:

The 607 Series LED Panel Mount Indicators are designed for a variety of applications such as:

- Main power indication
- Remote power indication
- Status indication
- Maintenance and warning indication
- Instrumentation

and many more!

### Certifications & Ratings

- RoHS Compliant
- NEMA 4X/IP66 (Water tight version only)

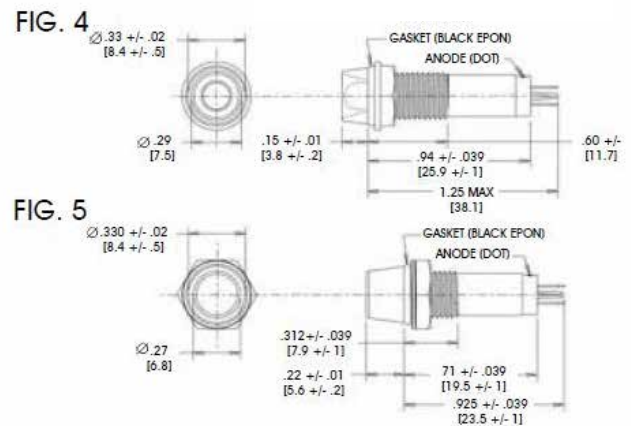
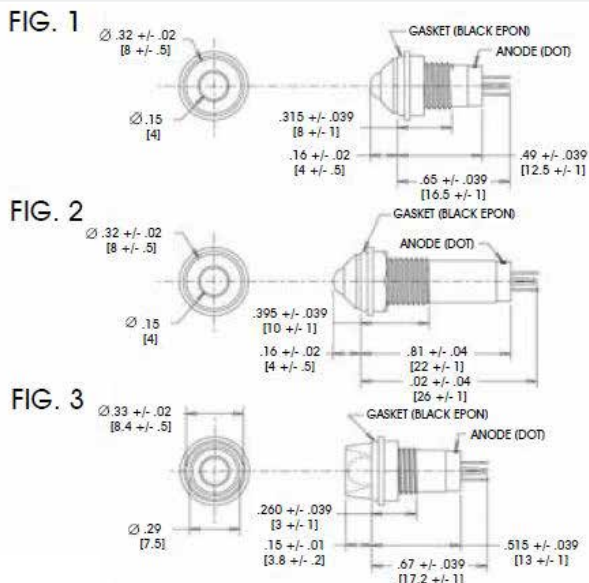
#### Mechanical information

<b>Mounting Hole Size:</b>	0.283" (7.2 mm)
<b>Max Panel Thickness:</b>	See part numbers
<b>Mounting Torque:</b>	0.362 lbs/ft (5 kg/cm) 0.217 lbs/ft or 3 kg/cm (Figure 5 only)

#### Specifications

<b>Voltage Options:</b>	2 V DC (resistor required); 6, 12 & 24 V DC (no resistor required)	<b>Housing:</b>	Protruding & recessed positions: Chrome plated brass; internal position: Polycarbonate
<b>Operating Temp:</b>	-30°C to +85°C (-22°F to +185°F)	<b>Terminals:</b>	Copper-Nickel Plated
<b>Storage Temp:</b>	-40°C to +85°C (-40°F to +185°F)	<b>Lock Washer:</b>	Iron-Nickel Plated
<b>Electrical Connection:</b>	Solder terminals	<b>Nut:</b>	Brass-Nickel Plated

#### Dimensions



Dimension are in Inches [mm]



# 607 Series

## Ordering Information

Part Number	Color	Voltage (V DC)	Current (mA)	Intensity Typ. (mcd)	LED Positions	Figure	Panel Thickness
<b>Standard Versions</b>							
607-1112-110F	Red	2	15	22	Protuding	1	0.187" (4.75mm)
607-1212-110F	Green	2	15	50	Protuding	1	
607-1312-110F	Yellow	2	15	66	Protuding	1	
607-1112-120F	Red	6	15	22	Protuding	2	0.265" (6.75mm)
607-1212-120F	Green	6	15	50	Protuding	2	
607-1312-120F	Yellow	6	15	66	Protuding	2	
607-1112-130F	Red	12	15	22	Protuding	2	
607-1212-130F	Green	12	15	50	Protuding	2	
607-1312-130F	Yellow	12	15	66	Protuding	2	
607-2112-110F	Red	2	15	22	Recessed	3	0.136" (8.50mm)
607-2212-110F	Green	2	15	50	Recessed	3	
607-2312-110F	Yellow	2	15	66	Recessed	3	
607-2112-120F	Red	6	15	22	Recessed	4	0.336" (8.50mm)
607-2212-120F	Green	6	15	50	Recessed	4	
607-2312-120F	Yellow	6	15	66	Recessed	4	
607-2112-130F	Red	12	15	22	Recessed	4	
607-2212-130F	Green	12	15	50	Recessed	4	
607-2312-130F	Yellow	12	15	66	Recessed	4	
607-3132-120F	Red	6	15	20	Internal	5	0.187" (4.75mm)
607-3232-120F	Green	6	15	45	Internal	5	
607-3332-120F	Yellow	6	15	60	Internal	5	
607-3132-130F	Red	12	15	20	Internal	5	
607-3232-130F	Green	12	15	45	Internal	5	
607-3332-130F	Yellow	12	15	60	Internal	5	
607-3132-140F	Red	24	15	20	Internal	5	
607-3232-140F	Green	24	15	45	Internal	5	
607-3332-140F	Yellow	24	15	60	Internal	5	

\*For watertight versions: replace 8th digit with "3". For example: 607-1112-301F

# 608 Series

## 8mm Panel Mount Indicators



### Application:

The 608 Series LED Panel Mount Indicators are designed for a variety of applications such as:

- Main power indication
- Remote power indication
- Status indication
- Maintenance and warning indication
- Instrumentation

and many more!

### Certifications & Ratings

- RoHS Compliant

#### Mechanical information

<b>Mounting Hole Size:</b>	0.327" (8.3 mm) (Fig. 1 & 2); 0.335" (8.5 mm) (Fig. 3 & 4)
<b>Max Panel Thickness:</b>	See part numbers
<b>Mounting Torque:</b>	0.217 lbs/ft or 3 kg/cm (Fig. 1 & 2 only)

#### Specifications

<b>Voltage Options:</b>	2 V DC (resistor required); 6, 12 & 24 V DC (no resistor required)	<b>Housing:</b>	Polycarbonate
<b>Operating Temp:</b>	-25°C to +85°C (-13°F to +185°F)	<b>Terminals:</b>	Copper-Nickel Plated
<b>Storage Temp:</b>	-25°C to +85°C (-13°F to +185°F)	<b>Lock Washer:</b>	Iron-Nickel Plated
<b>Electrical Connection:</b>	Leads (Fig. 1 & 2), Solder terminals (Fig. 3 & 4)	<b>Nut:</b>	Brass-Nickel Plated

#### Dimensions

FIGURE 1

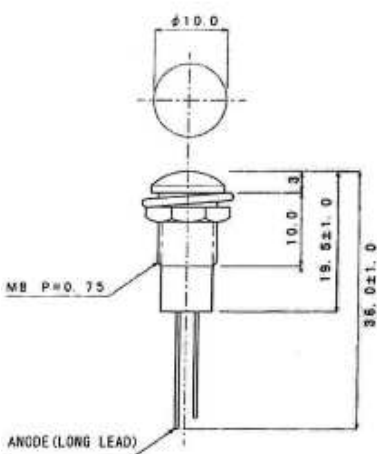


FIGURE 2

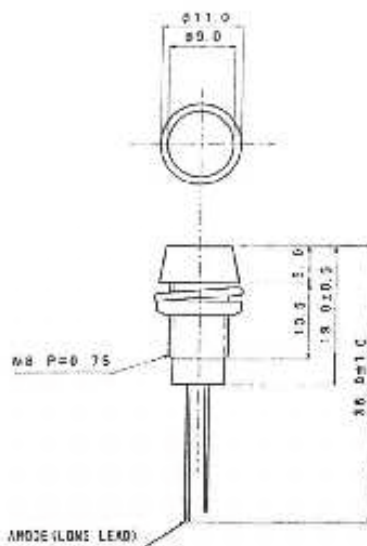
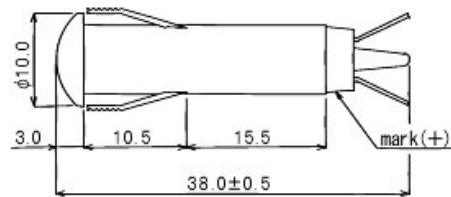
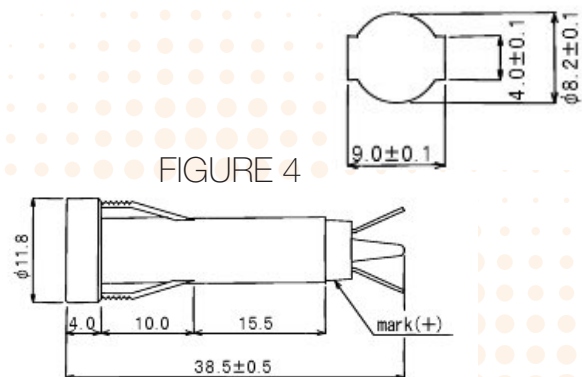


FIGURE 3



FOR BOTH FIGURES 4 & 5

FIGURE 4



Dimension are in Inches [mm]