



Chipsmall Limited consists of a professional team with an average of over 10 year of expertise in the distribution of electronic components. Based in Hongkong, we have already established firm and mutual-benefit business relationships with customers from,Europe,America and south Asia,supplying obsolete and hard-to-find components to meet their specific needs.

With the principle of “Quality Parts,Customers Priority,Honest Operation,and Considerate Service”,our business mainly focus on the distribution of electronic components. Line cards we deal with include Microchip,ALPS,ROHM,Xilinx,Pulse,ON,Everlight and Freescale. Main products comprise IC,Modules,Potentiometer,IC Socket,Relay,Connector.Our parts cover such applications as commercial,industrial, and automotives areas.

We are looking forward to setting up business relationship with you and hope to provide you with the best service and solution. Let us make a better world for our industry!



Contact us

Tel: +86-755-8981 8866 Fax: +86-755-8427 6832

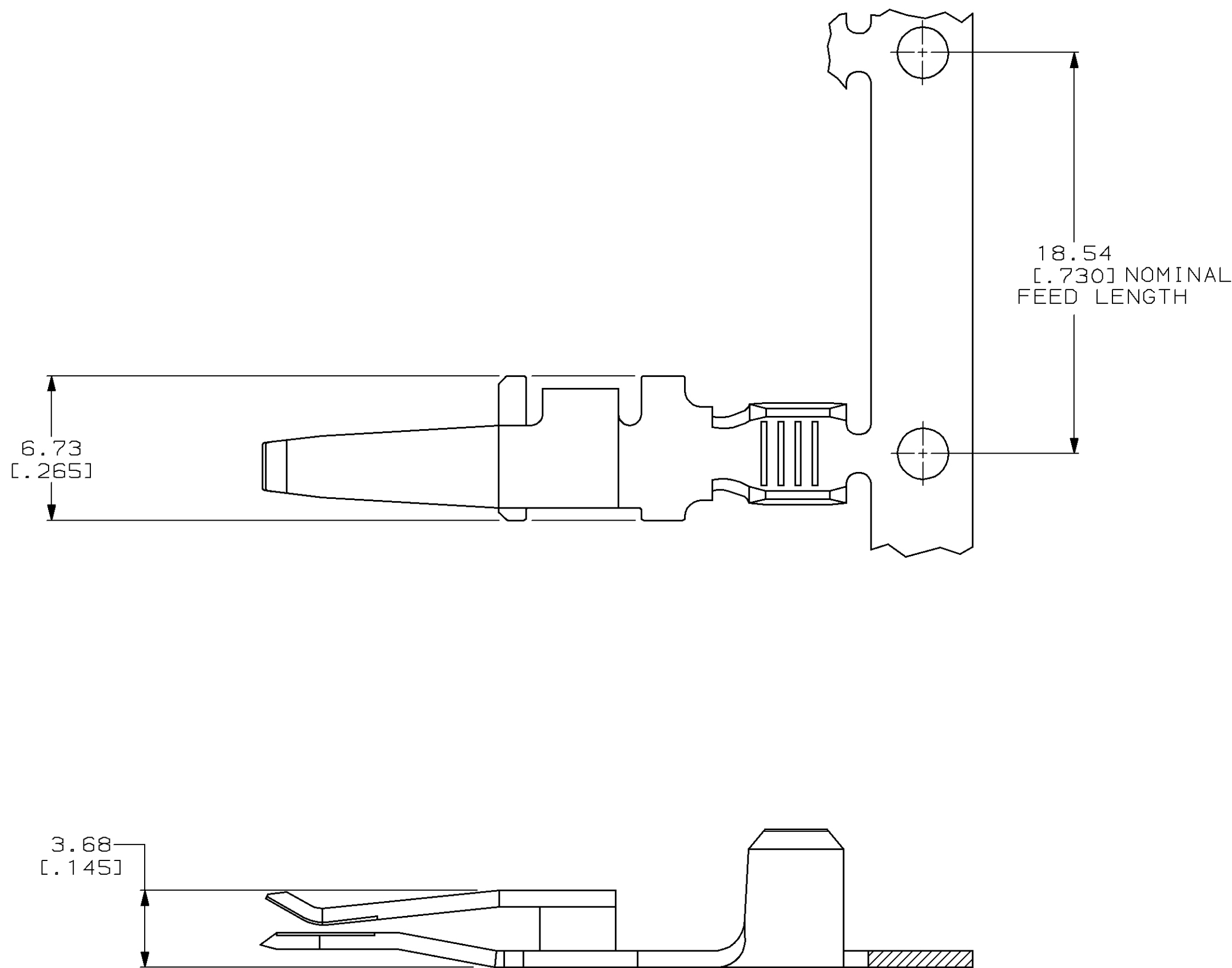
Email & Skype: info@chipsmall.com Web: www.chipsmall.com

Address: A1208, Overseas Decoration Building, #122 Zhenhua RD., Futian, Shenzhen, China



THIS DRAWING IS UNPUBLISHED. RELEASED FOR PUBLICATION
 © COPYRIGHT 19 BY AMP INCORPORATED. ALL RIGHTS RESERVED.

LOC		DIST		REVISIONS			
P	LTR	DESCRIPTION		DATE	DWN	APVD	
FT	60	A		REV & REDRAW ON CAD PER EC 0320-70-97	11 MAR 97	-	-



- ① ALL DIMENSIONS ARE MAXIMUM UNLESS OTHERWISE SPECIFIED.
- ② COPPER ALLOY.
- ③ 2.54µm [.000100] MIN TIN.
- 4. WIRE BARREL WILL ACCEPT ONE 10 OR 12 AWG STRANDED WIRE OR COMBINATIONS OF 12,18,16 AND 14 AWG WIRE.
- 5. THIS TERMINAL IS USED WITH HOUSING 556137 AND MOUNTING ADAPTER 557313-1.
- 6. APPLICATOR REEL: 567256-3 FOR "T" TERMINATOR, 567256-4 FOR AMP-O-ELECTRIC™ MODEL "K" MACHINE 565435-5.
- 7. HAND TOOL-LOOSE PIECE.

PACKAGING	DESCRIPTION	PART NUMBER
200 TERMINALS PER BOX	LOOSE PIECE	556136-2
2000 TERMINALS ON 24" DIA REEL	ON STRIP	556136-1

THIS DRAWING IS A CONTROLLED DOCUMENT.		DWN M. BINNER 11 MAR 97	AMP Incorporated Harrisburg, PA 17105-3608
DIMENSIONS: mm [INCHES]		CHK R. STONE 14 MAR 97	
TOLERANCES UNLESS OTHERWISE SPECIFIED:		APVD M. McALONIS 17 MAR 97	
0 PLC ±-	1 PLC ±-	PRODUCT SPEC	TERMINAL, 12-10 AWG, FOLDED CRIMP, WTW, AMPINERGY™
2 PLC ±-	3 PLC ±-	108-1373	
4 PLC ±-	ANGLES ±-	APPLICATION SPEC	SIZE A2
MATERIAL ②	FINISH ③	114-6051	CAGE CODE 00779
CUSTOMER DRAWING		WEIGHT -	DRAWING NO C-556136
		SCALE 5:1	SHEET 1 OF 1
			REV A

556136

00

A