



Chipsmall Limited consists of a professional team with an average of over 10 year of expertise in the distribution of electronic components. Based in Hongkong, we have already established firm and mutual-benefit business relationships with customers from,Europe,America and south Asia,supplying obsolete and hard-to-find components to meet their specific needs.

With the principle of “Quality Parts,Customers Priority,Honest Operation,and Considerate Service”,our business mainly focus on the distribution of electronic components. Line cards we deal with include Microchip,ALPS,ROHM,Xilinx,Pulse,ON,Everlight and Freescale. Main products comprise IC,Modules,Potentiometer,IC Socket,Relay,Connector.Our parts cover such applications as commercial,industrial, and automotives areas.

We are looking forward to setting up business relationship with you and hope to provide you with the best service and solution. Let us make a better world for our industry!



## Contact us

Tel: +86-755-8981 8866 Fax: +86-755-8427 6832

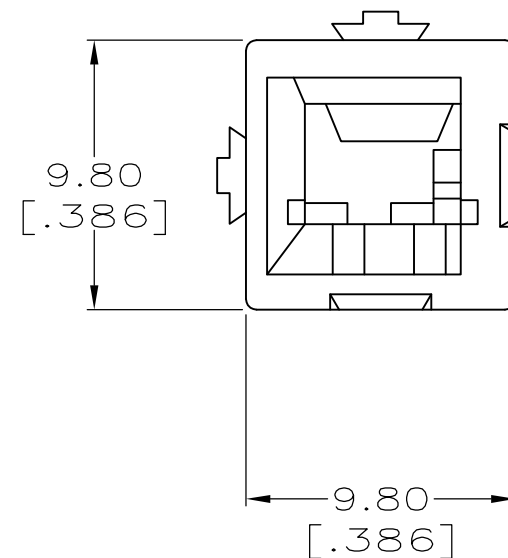
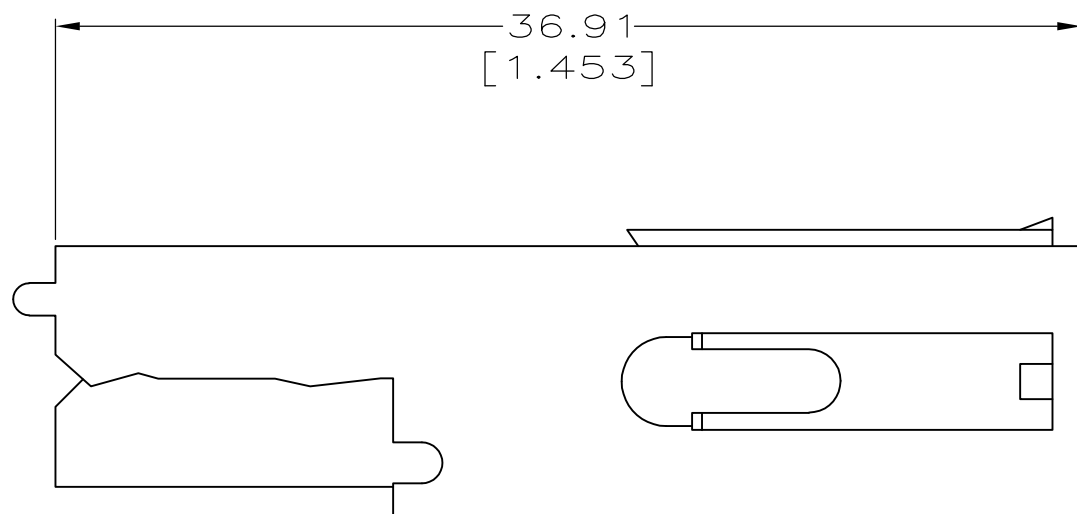
Email & Skype: info@chipsmall.com Web: www.chipsmall.com

Address: A1208, Overseas Decoration Building, #122 Zhenhua RD., Futian, Shenzhen, China



THIS DRAWING IS UNPUBLISHED. RELEASED FOR PUBLICATION - , - .  
 © COPYRIGHT - By - ALL RIGHTS RESERVED.

LOC	DIST	REVISIONS					
FT	60	P	LTR	DESCRIPTION	DATE	DWN	APVD
		B1		REVISED PER ECO-11-004917	11MAR11	RK	HMR



- 1. ALL DIMENSIONS ARE MAXIMUM UNLESS OTHERWISE SPECIFIED.
- 2. THIS HOUSING IS USED WITH TERMINALS 556135-1,-2 [18-16-14 AWG CU WIRE: (-1) REEL AND (-2) LOOSE PIECE], AND 556136-1,-2 [12 AND 10 AWG CU WIRE: (-1) REEL AND (-2) LOOSE PIECE] AND MOUNTING ADAPTER 557313-1.

GRAY	556137-8
BLUE	556137-6
RED	556137-4
GREEN	556137-3
BLACK	556137-2
WHITE	556137-1
COLOR	PART NUMBER

THIS DRAWING IS A CONTROLLED DOCUMENT.		DWN M.BINNER 13 MAR 97											
DIMENSIONS: mm[INCHES]		CHK R.STONE 14 MAR 97											
TOLERANCES UNLESS OTHERWISE SPECIFIED:		APVD M.McALONIS 17 MAR 97											
<table border="0"> <tr> <td>0 PLC</td> <td>± -</td> <td rowspan="5" style="text-align: center;"> </td> </tr> <tr> <td>1 PLC</td> <td>± -</td> </tr> <tr> <td>2 PLC</td> <td>± -</td> </tr> <tr> <td>3 PLC</td> <td>± -</td> </tr> <tr> <td>4 PLC ANGLES</td> <td>± -</td> </tr> </table>		0 PLC	± -		1 PLC	± -	2 PLC	± -	3 PLC	± -	4 PLC ANGLES	± -	NAME HOUSING, SINGLE POSITION, WTW, AMPINERGY™
0 PLC	± -												
1 PLC	± -												
2 PLC	± -												
3 PLC	± -												
4 PLC ANGLES	± -												
MATERIAL POLYCARBONATE, 94V-0 COLOR: SEE TABLE		FINISH -	PRODUCT SPEC 108-1373	SIZE A3	CAGE CODE 00779	DRAWING NO C-556137	RESTRICTED TO -						
CUSTOMER DRAWING			SCALE 4:1	SHEET 1 of 1	REV B1								