



Chipsmall Limited consists of a professional team with an average of over 10 year of expertise in the distribution of electronic components. Based in Hongkong, we have already established firm and mutual-benefit business relationships with customers from,Europe,America and south Asia,supplying obsolete and hard-to-find components to meet their specific needs.

With the principle of “Quality Parts,Customers Priority,Honest Operation,and Considerate Service”,our business mainly focus on the distribution of electronic components. Line cards we deal with include Microchip,ALPS,ROHM,Xilinx,Pulse,ON,Everlight and Freescale. Main products comprise IC,Modules,Potentiometer,IC Socket,Relay,Connector.Our parts cover such applications as commercial,industrial, and automotives areas.

We are looking forward to setting up business relationship with you and hope to provide you with the best service and solution. Let us make a better world for our industry!



Contact us

Tel: +86-755-8981 8866 Fax: +86-755-8427 6832

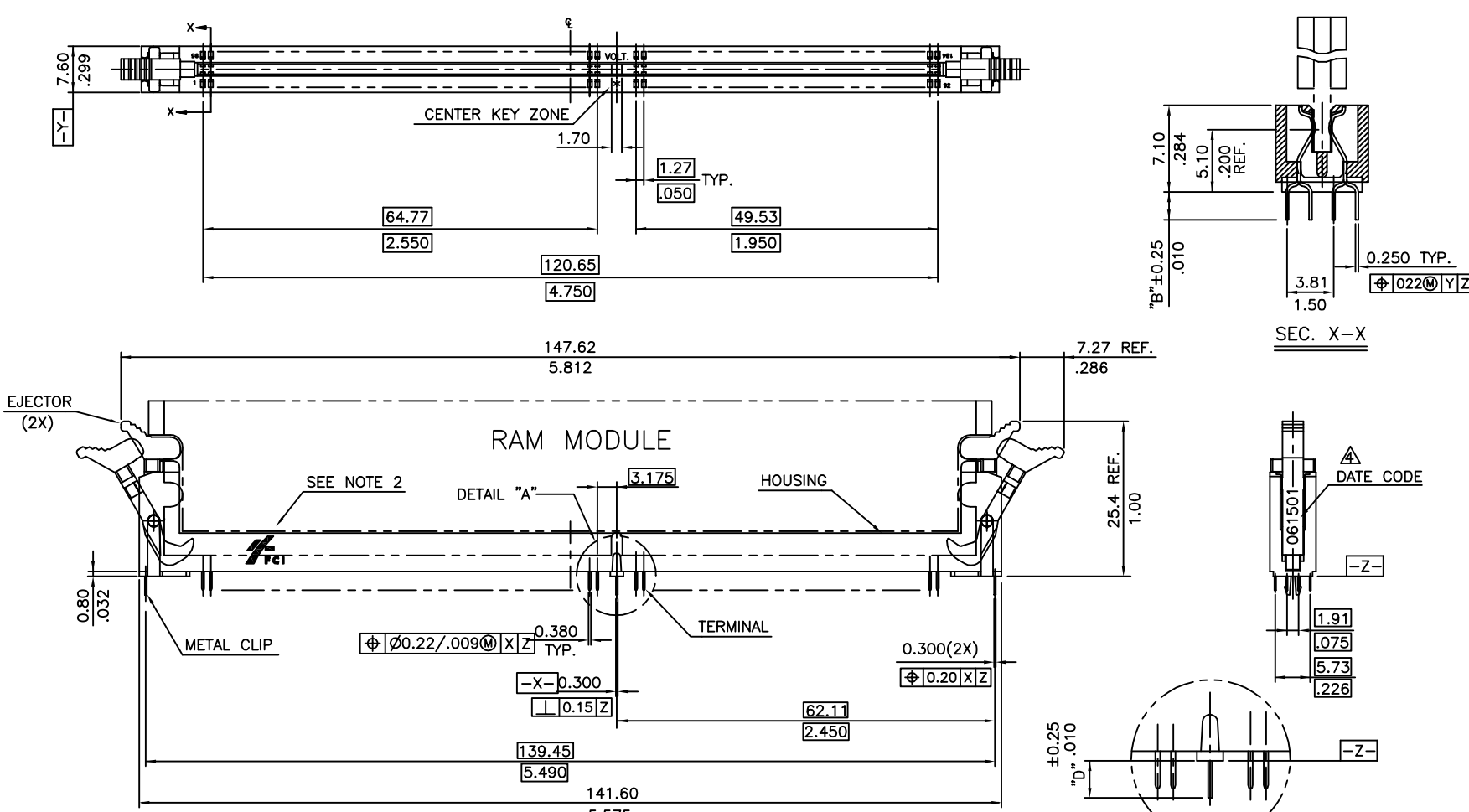
Email & Skype: info@chipsmall.com Web: www.chipsmall.com

Address: A1208, Overseas Decoration Building, #122 Zhenhua RD., Futian, Shenzhen, China



All rights strictly reserved. Reproduction or issue to third parties in any form without written authority from the proprietor. Property of FCI. Copyright FCI.

Tous droits strictement réservés. Reproduction ou communication a des tiers interdite sous quelque forme que ce soit sans autorisation écrite du propriétaire. Propriété de c FCI. Droits de reproduction FCI.



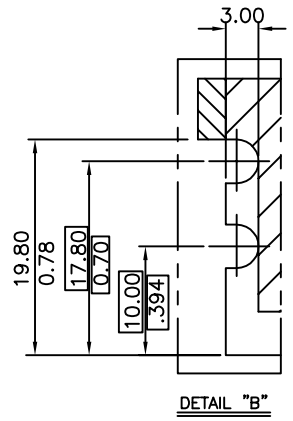
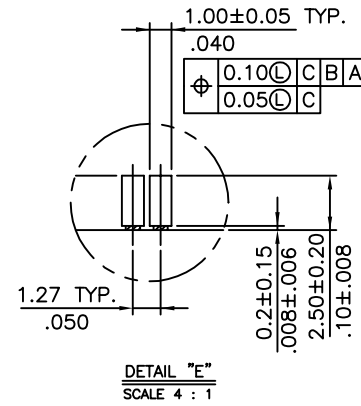
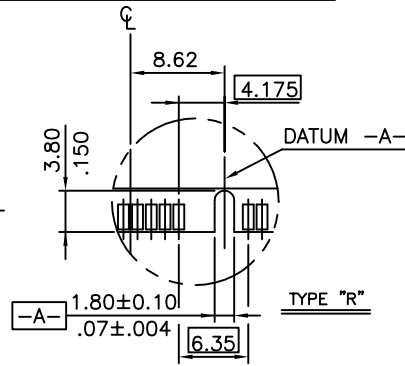
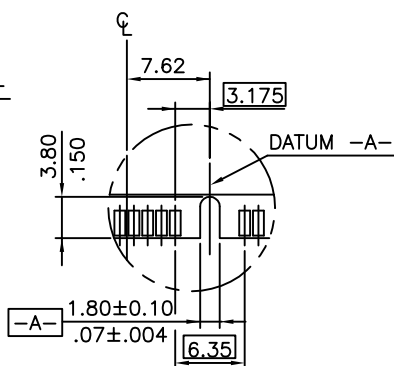
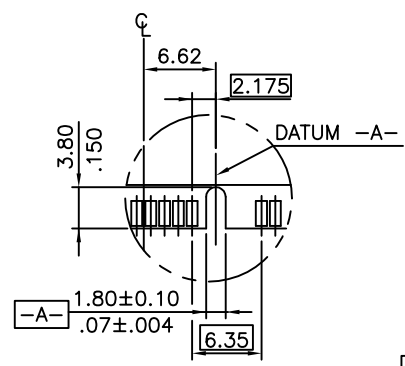
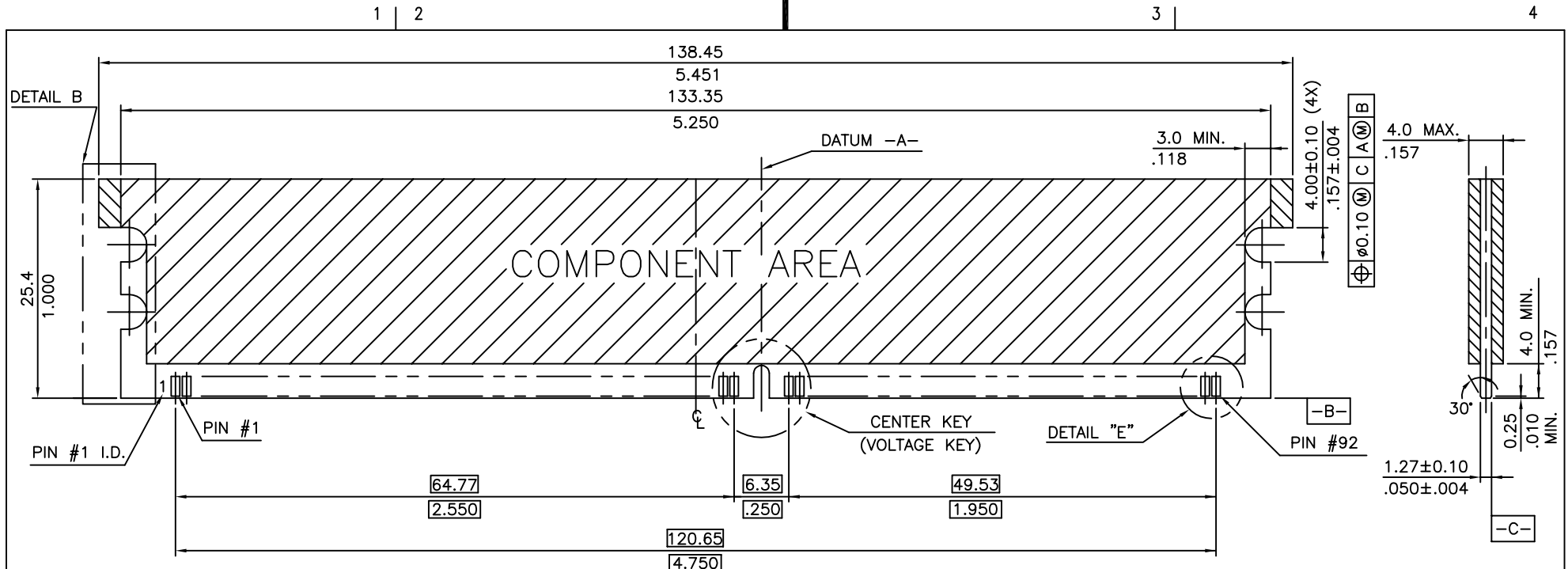
NOTE:

- MATERIAL:
 HOUSING: HIGH TEMPERATURE NYLON, GLASS FILLED UL94V-0 RATED, COLOR BLACK.
 EJECTOR: HIGH TEMPERATURE NYLON, GLASS FILLED UL94V-0 RATED, COLOR NATURAL.
 TERMINAL: COPPER ALLOY.
 METAL CLIP: COPPER ALLOY
- FCI LOGO TO BE APPROXIMATELY LOCATED AS SHOWN ON PRINT.
- PRODUCT SPECIFICATION: GS-12-146
- THE DATE CODE IS SHOWN "MM-DD-YY" FOR CUSTOMER SPECIAL REQUEST.
- THIS PRODUCT MEETS EUROPEAN UNION DIRECTIVES AND OTHER COUNTRY REGULATIONS AS DESCRIBED IN GS-22-008.
- THE HOUSING WILL WITH STAND EXPOSURE TO 260° PEAK TEMPERATURE FOR 10 SECONDS IN A WAVE SOLDER APPLICATION.

mat'l. code				tolerances unless otherwise specified		CUSTOMER COPY	FCI		www.fciconnect.com		
ltr	ecn no	dr	date	linear	.X ± 0.38/.015	projection	title DDR 184P .050" 1-ROW, V/T ASS'Y METAL CLIP				
B	T10167	M W	06/20/01		.XX ± 0.25/.010						
C	T20047	M W	02/05/02		.XXX ± 0.15/.005						
D	T20024	M W	03/20/02	angles	0° ± 2'	MM	product family		DDR	code	
E	T20325	M W	11/14/02	dr	MAGGIE WU		09/07/00	size		dwg no	TWN
F	T03-0117	M W	04/14/03	enr	BEN TSAO		09/07/00	scale		55635	sheet
G	T03-0435	M W	10/01/03	chr	BEN TSAO		09/07/00	1:1		A4	1 of 3
H	bc05-0467	K W	11/15/05	appd	JENN TSAO		09/07/00				
sheet	revision	H	E	F							
index	sheet	1	2	3							

Tous droits strictement réservés. Reproduction ou communication a des tiers interdite sous quelque forme que ce soit sans autorisation écrite du propriétaire. Propriete de c FCI. Droits de reproduction FCI.

All rights strictly reserved. Reproduction or issue to third parties in any form whatever is not permitted without written authority from the proprietor. Property of FCI. Copyright FCI.

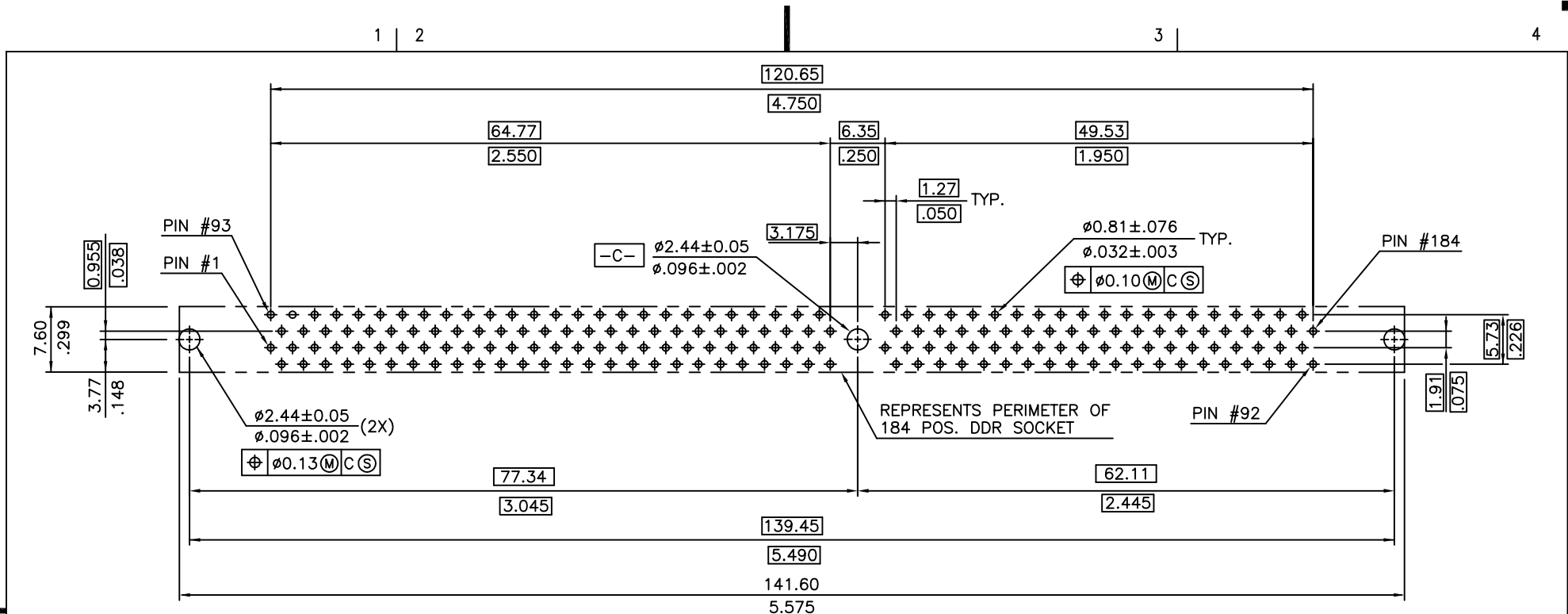


TYPE "R"	3.3 VOLT.
TYPE "L"	2.5 VOLT.
TYPE "C"	1.8 VOLT.
CENTER KEY	DESCRIPTION

mat'l. code		tolerances unless otherwise specified		CUSTOMER COPY		FCI www.fciconnect.com	
ltr	ecn no	dr	date	linear	.X ± 0.38/.015	projection	title
E					.XX ± 0.25/.010		DDR 184P .050" 1-ROW, V/T ASS'Y METAL CLIP
				angles	.XXX ± 0.15/.005		
					0° ± 2'	MM	product family
				dr	MAGGIE WU 09/07/00		DDR
				enr	BEN TSAO 09/07/00	scale	code
				chr	BEN TSAO 09/07/00	1.5:1	TWN
				appd	JENN TSAO 09/07/00	A4	55635
sheet index	revision sheet						sheet 2 of

Tous droits strictement réservés. Reproduction ou communication a des tiers interdite sous quelque forme que ce soit sans autorisation écrite du propriétaire. Propriete de c FCI. Droits de reproduction FCI.

All rights strictly reserved. Reproduction or issue to third parties in any form whatever is not permitted without written authority from the proprietor. Property of FCI. Copyright FCI.



DDR ASSEMBLY PART NUMBER

5 5 6 3 5 - □ □ □ □

STYLE

- 1 : FOR 3.3 VOLT.
- 2 : FOR 2.5 VOLT.
- 3 : FOR 1.8 VOLT.

METAL CLIP

- 1: WITH METAL CLIP + DIM."D"=3.05/.120
- 2: WITH METAL CLIP + DIM."D"=3.56/.140
- 3: WITH METAL CLIP + DIM."D"=3.43/.135

TAIL LENGTH

CODE	DIM. "B"	TOLERANCE
1	2.29 .090	±0.25 ±.01
2	2.79 .110	±0.25 ±.01
3	2.67 .105	±0.25 ±.01
4	3.05 .120	±0.25 ±.01

RECOMMENDED CIRCUIT BOARD HOLE LAYOUT

PLATING

CODE	CONTACT	SOLDERTAIL	UNDERPLATE	CODE	CONTACT	SOLDERTAIL	UNDERPLATE
2	15μ"(0.38μm) MIN. GOLD	100μ"(2.54μm) MIN. TIN/LEAD	50μ" (1.27μm) MIN. NICKEL OVERALL	7LF	15μ"(0.38μm) MIN. GOLD	100μ"(2.54μm) MIN. 100% TIN	50μ" (1.27μm) MIN. NICKEL OVERALL
3	30μ"(0.76μm) MIN. GOLD			8LF	30μ"(0.76μm) MIN. GOLD		
4	GOLD FLASH			9LF	GOLD FLASH		

COLOR OF HOUSING AND EJECTOR

0 : BLACK HOUSING + IVORY EJECTOR

mat'l. code				tolerances unless otherwise specified		CUSTOMER COPY		FCI	
ltr	ecn no	dr	date	linear	.X ± 0.38/.015	projection		title	
F				angles	.XX ± 0.25/.010	MM		DDR 184P .050" 1-ROW, V/T ASS'Y METAL CLIP	
					.XXX ± 0.15/.005	scale		product family	
				dr	0° ±2'	1.5:1		DDR	
				enr		A4		code	
				chr	MAGGIE WU 09/07/00			size	
				appd	BEN TSAO 09/07/00			dwg no	
					BEN TSAO 09/07/00			55635	
					JENN TSAO 09/07/00			sheet	
sheet index	revision sheet							3 of	