



Chipsmall Limited consists of a professional team with an average of over 10 year of expertise in the distribution of electronic components. Based in Hongkong, we have already established firm and mutual-benefit business relationships with customers from,Europe,America and south Asia,supplying obsolete and hard-to-find components to meet their specific needs.

With the principle of “Quality Parts,Customers Priority,Honest Operation,and Considerate Service”,our business mainly focus on the distribution of electronic components. Line cards we deal with include Microchip,ALPS,ROHM,Xilinx,Pulse,ON,Everlight and Freescale. Main products comprise IC,Modules,Potentiometer,IC Socket,Relay,Connector.Our parts cover such applications as commercial,industrial, and automotives areas.

We are looking forward to setting up business relationship with you and hope to provide you with the best service and solution. Let us make a better world for our industry!



## Contact us

Tel: +86-755-8981 8866 Fax: +86-755-8427 6832

Email & Skype: info@chipsmall.com Web: www.chipsmall.com

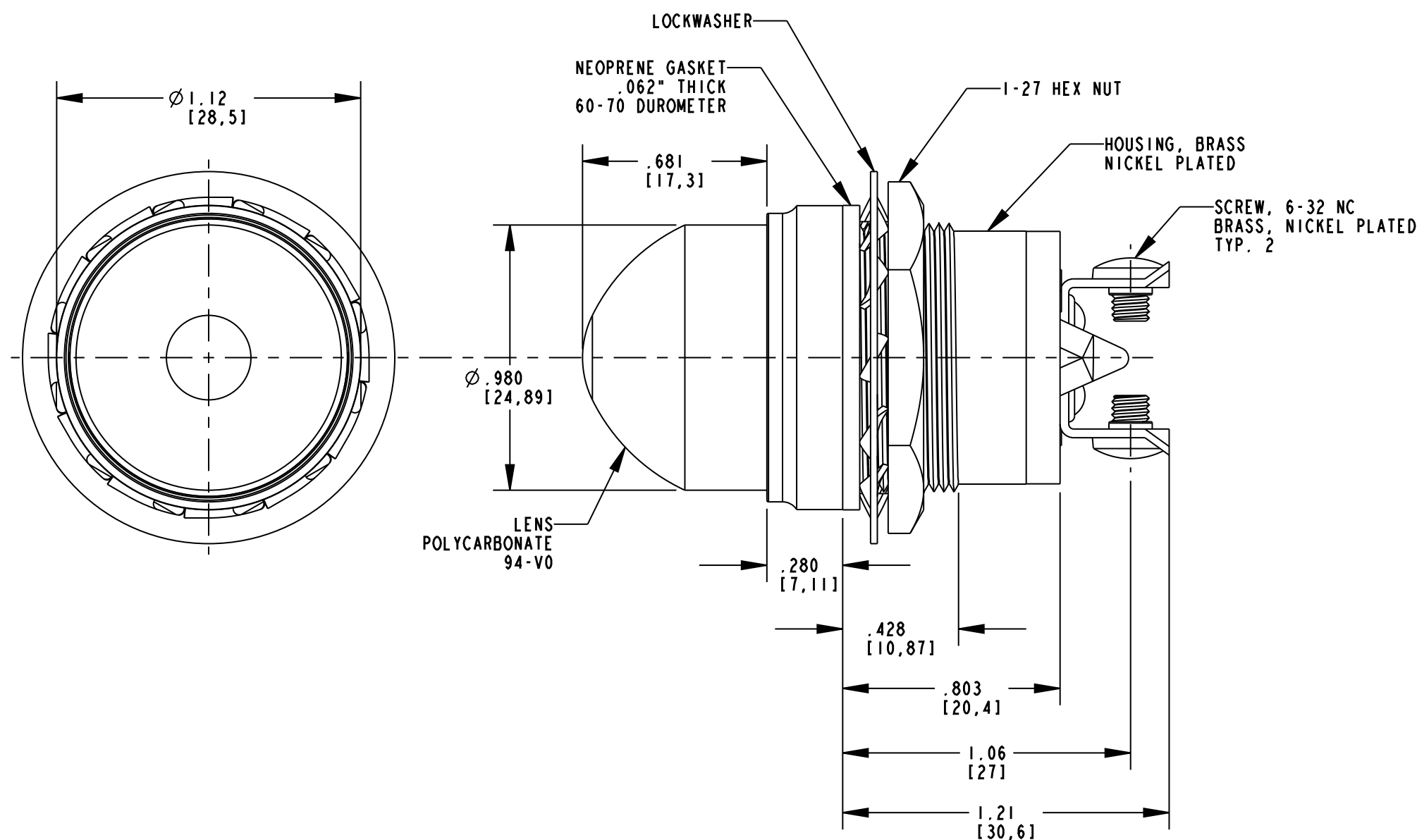
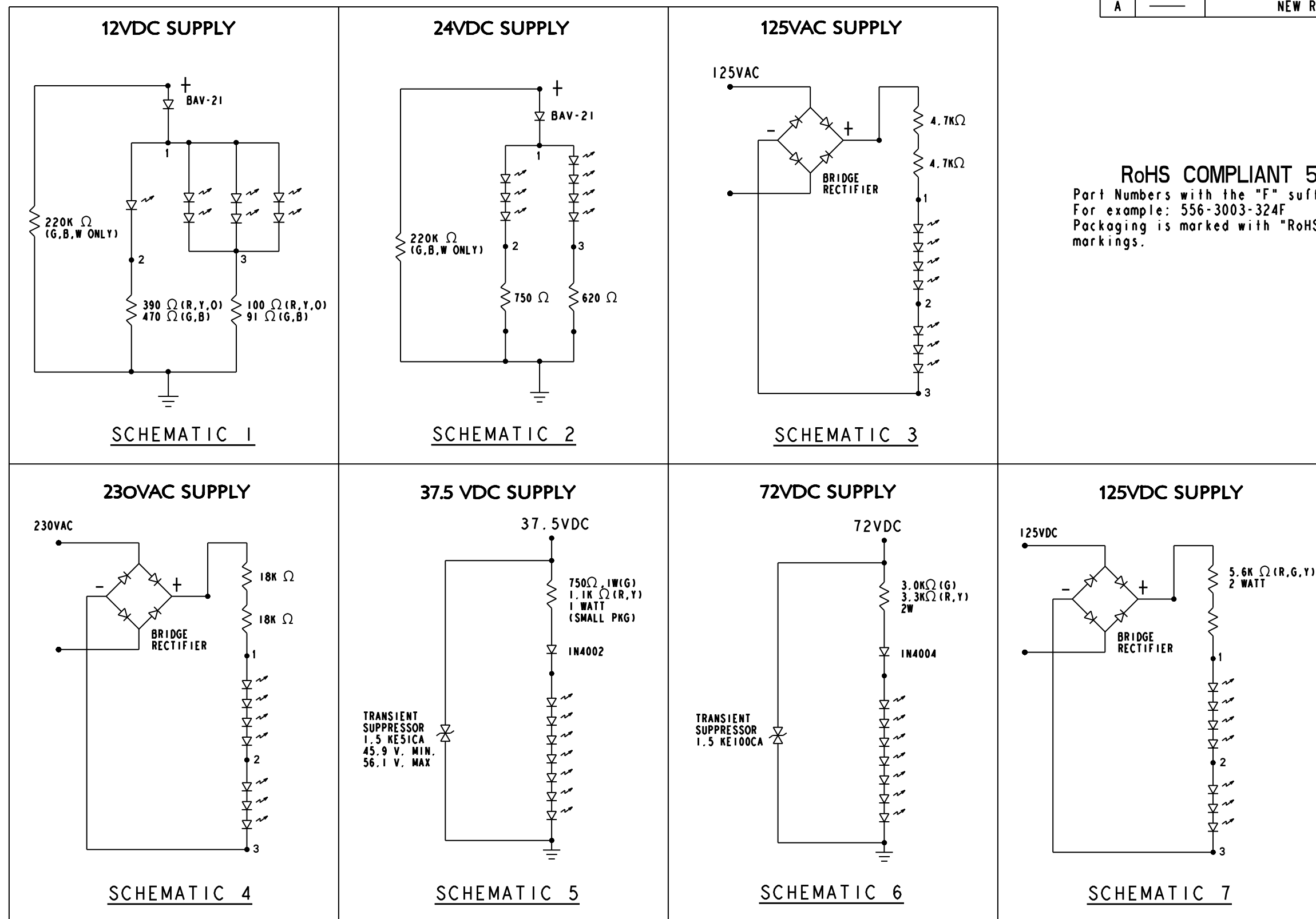
Address: A1208, Overseas Decoration Building, #122 Zhenhua RD., Futian, Shenzhen, China



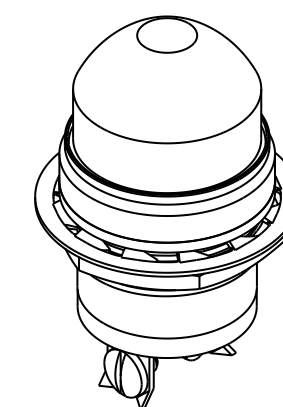
| DIALIGHT PART NUMBER | LED COLOR | LENS COLOR | NOMINAL RATING | INTENSITY (fL) |      | CURRENT (mA) | SCHEMATIC DIAGRAM |
|----------------------|-----------|------------|----------------|----------------|------|--------------|-------------------|
|                      |           |            |                | TYP            | TYP  |              |                   |
| 556-3003-324F        | WHITE     | CLEAR      | 12 VDC         | 1200           | 60   | 1            |                   |
| 556-3503-324F        | RED       | RED        | 12 VDC         | 1300           | 95   |              |                   |
| 556-3603-324F        | GREEN     | GREEN      | 12 VDC         | 1800           | 60   |              |                   |
| 556-3683-324F        | CYAN      | CLEAR      | 12 VDC         | 1800           | 60   |              |                   |
| 556-3703-324F        | YELLOW    | YELLOW     | 12 VDC         | 1300           | 95   |              |                   |
| 556-3803-324F        | BLUE      | CLEAR      | 12 VDC         | 480            | 60   | 2            |                   |
| 556-3903-324F        | ORANGE    | ORANGE     | 12 VDC         | 480            | 95   |              |                   |
| 556-3004-324F        | WHITE     | CLEAR      | 24 VDC         | 1200           | 31   |              |                   |
| 556-3504-324F        | RED       | RED        | 24 VDC         | 1300           | 46   |              |                   |
| 556-3604-324F        | GREEN     | GREEN      | 24 VDC         | 1800           | 32   |              |                   |
| 556-3684-324F        | CYAN      | CLEAR      | 24 VDC         | 1800           | 32   | 5            |                   |
| 556-3704-324F        | YELLOW    | YELLOW     | 24 VDC         | 1300           | 46   |              |                   |
| 556-3804-324F        | BLUE      | CLEAR      | 24 VDC         | 480            | 32   |              |                   |
| 556-3904-324F        | ORANGE    | ORANGE     | 24 VDC         | 480            | 46   |              |                   |
| 556-3008-324F        | WHITE     | CLEAR      | 37 VDC         | 1200           | 16   |              |                   |
| 556-3508-324F        | RED       | RED        | 37 VDC         | 1000           | 20   | 6            |                   |
| 556-3608-324F        | GREEN     | GREEN      | 37 VDC         | 1800           | 16   |              |                   |
| 556-3708-324F        | YELLOW    | YELLOW     | 37 VDC         | 1000           | 20   |              |                   |
| 556-3006-324F        | WHITE     | CLEAR      | 72 VDC         | 1200           | 16   |              |                   |
| 556-3506-324F        | RED       | RED        | 72 VDC         | 1000           | 20   |              |                   |
| 556-3606-324F        | GREEN     | GREEN      | 72 VDC         | 1800           | 16   | 3            |                   |
| 556-3706-324F        | YELLOW    | YELLOW     | 72 VDC         | 1000           | 20   |              |                   |
| 556-3005-324F        | WHITE     | CLEAR      | 125 VAC        | 700            | 9.5  |              |                   |
| 556-3505-324F        | RED       | RED        | 125 VAC        | 500            | 10.5 |              |                   |
| 556-3605-324F        | GREEN     | GREEN      | 125 VAC        | 700            | 9.5  |              |                   |
| 556-3685-324F        | CYAN      | CLEAR      | 125 VAC        | 700            | 9.5  | 7            |                   |
| 556-3705-324F        | YELLOW    | YELLOW     | 125 VAC        | 500            | 10.5 |              |                   |
| 556-3805-324F        | BLUE      | CLEAR      | 125 VAC        | 180            | 9.5  |              |                   |
| 556-3905-324F        | ORANGE    | ORANGE     | 125 VAC        | 180            | 10.5 |              |                   |
| 556-3507-324F        | RED       | RED        | 125 VDC        | 700            | 10   |              |                   |
| 556-3607-324F        | GREEN     | GREEN      | 125 VDC        | 1000           | 10   | 4            |                   |
| 556-3707-324F        | YELLOW    | YELLOW     | 125 VDC        | 700            | 10   |              |                   |
| 556-3009-324F        | WHITE     | CLEAR      | 230 VAC        | 700            | 7    |              |                   |
| 556-3509-324F        | RED       | RED        | 230 VAC        | 500            | 7    |              |                   |
| 556-3609-324F        | GREEN     | GREEN      | 230 VAC        | 700            | 7    |              |                   |
| 556-3709-324F        | YELLOW    | YELLOW     | 230 VAC        | 500            | 7    |              |                   |
| 556-3809-324F        | BLUE      | CLEAR      | 230 VAC        | 180            | 7    |              |                   |
| 556-3909-324F        | ORANGE    | ORANGE     | 230 VAC        | 180            | 7    |              |                   |

| REV | ECN NO | REVISIONS   | DRN | CKD | APP | DATE     |
|-----|--------|-------------|-----|-----|-----|----------|
| A   |        | NEW RELEASE | AJF | KLJ | CJC | 10-29-10 |

**RoHS COMPLIANT 556-3XXX-324F**  
 Part Numbers with the "F" suffix ending are RoHS Compliant.  
 For example: 556-3003-324F  
 Packaging is marked with "RoHS Compliant" label or equivalent markings.



- NOTES:
- DIALIGHT PART NUMBER: 556-3XXX-324F.
  - THIS PRODUCT IS CERTIFIED FOR USE IN CLASS 1, DIVISION 2 HAZARDOUS LOCATIONS.
  - THIS PRODUCT IS WATER SEALED FROM FRONT OF PANEL.
  - MAXIMUM MOUNTING TORQUE: 40 IN-LBS.
  - FRONT MOUNTING IN 1" CLEARANCE HOLE.
  - MAXIMUM PANEL THICKNESS: .135".



|   |  |     |
|---|--|-----|
| THIS DRAWING AND THE CONTENTS HEREIN ARE CONFIDENTIAL AND THE SOLE PROPERTY OF DIALIGHT. REPRODUCTION OF THIS DRAWING OR CONSTRUCTION OF ANY PARTS WITHIN THIS DRAWING ARE FORBIDDEN WITHOUT THE WRITTEN CONSENT OF DIALIGHT. |  |     |
| SCALE: 2.000  | DRAWING NUMBER                             | REV |
| ALL DIM'S IN: INCHES (MM)   | C-17880                                    | A   |
| TOLERANCES: UNLESS OTHERWISE SPECIFIED  | TITLE 1" LED PMI, DOME LENS CLASS 1, DIV.2 |     |
| FRACTIONS: ±1/64  | MATERIAL                                   |     |
| DECIMALS (.XX): ±.02  | Dialight                                   |     |
| DECIMALS (.XXX): ±.015  | 1501 ROUTE 34 SOUTH FARMINGDALE, NJ 07727  |     |
| ANGLES: ±1°   | FSCM 83330                                 |     |
| FINISH:   | SHEET 1 OF 1 FAMILY TABLE:                 |     |