



Chipsmall Limited consists of a professional team with an average of over 10 year of expertise in the distribution of electronic components. Based in Hongkong, we have already established firm and mutual-benefit business relationships with customers from,Europe,America and south Asia,supplying obsolete and hard-to-find components to meet their specific needs.

With the principle of “Quality Parts,Customers Priority,Honest Operation,and Considerate Service”,our business mainly focus on the distribution of electronic components. Line cards we deal with include Microchip,ALPS,ROHM,Xilinx,Pulse,ON,Everlight and Freescale. Main products comprise IC,Modules,Potentiometer,IC Socket,Relay,Connector.Our parts cover such applications as commercial,industrial, and automotives areas.

We are looking forward to setting up business relationship with you and hope to provide you with the best service and solution. Let us make a better world for our industry!



## Contact us

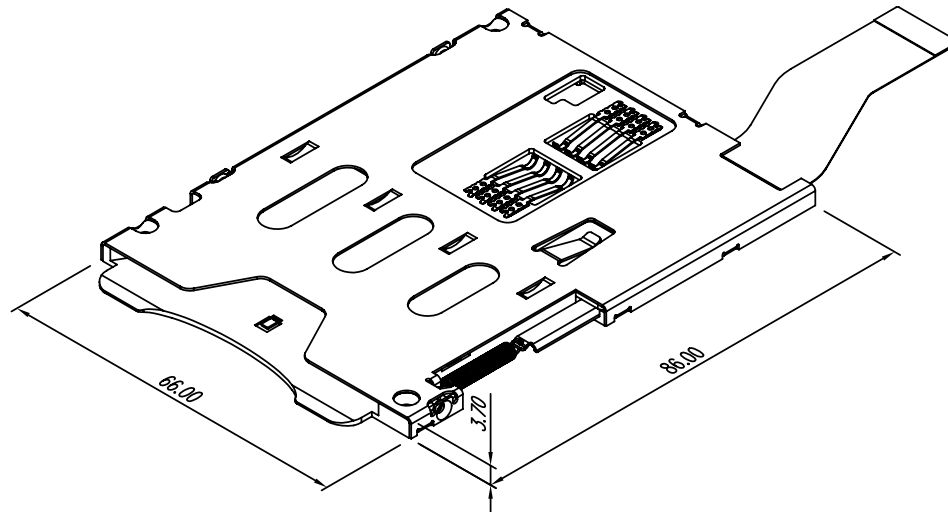
Tel: +86-755-8981 8866 Fax: +86-755-8427 6832

Email & Skype: info@chipsmall.com Web: www.chipsmall.com

Address: A1208, Overseas Decoration Building, #122 Zhenhua RD., Futian, Shenzhen, China



PRODUCT NO.	APPEARANCE	COMPONENTS	FPC	EJECT	PACKAGING	MAIN BODY	REMARK
55640-10101(LF)	BLUE	N/A	52534-002(LF)	55644-001	340391-001	55641-001	
55640-20301(LF)	BLUE	N/A	10115336-001	55644-001	340391-101	55641-001	
55640-23201(LF)	BLUE	10018024-001	52534-004(LF)	55644-001	340391-201	55641-002	
55640-20201(LF)	BLUE	N/A	52534-004(LF)	55644-001	340391-201	55641-002	
55640-20202(LF)	BLUE	10062236-001	52534-004(LF)	55644-001	10062267-02-001	55641-002	
55640-23301(LF)	BLUE	10018024-001	52534-006(LF)	55644-001	340391-201	55641-002	
55640-20211(LF)	BLUE	N/A	52534-004(LF)	55644-002	340391-201	55641-003	FOR MOTOROLA
55640-30201(LF)	BLUE	N/A	10093563-001<FFC>	55644-002	340391-201	55641-002	FOR MITAC



NOTE :

- SMART CARD READER FOR LOWER PROFILE HEIGHT OF 3.6 mm.
- TOTAL CIRCUIT RESISTANCE PER ONE LOOP SHALL NOT EXCEED 200 MILLIOHMS.
- THE INSERTION & EJECTING FORCE < 650g.
- MATERIALS :  
CONTACTS : COPPER ALLOY, GOLD OVER NICKEL ON CONTACT AREA.  
HOUSING : THERMOPLASTIC POLYCARBONATE.  
COVER : STAINLESS STEEL.
- ENVIRONMENT :  
STORAGE TEMPERATURE : FROM -40°C TO 85°C.  
OPERATION TEMPERATURE : FROM -20°C TO 70°C.
- ORDER DATAS : 55640-X X X X X LF  
  - LEAD FREE OPTION
  - PACKAGING
  - EJECT
  - FPC SHAPE
  - CUSTOMIZED COMPONENTS OPTIONS
  - GUIDE PLATE
- IF LEAD FREE P/N, GS-14-920 SHOULD BE APPLIED.
- THIS PRODUCT MEETS EUROPEAN UNION DIRECTIVES AND OTHER COUNTRY REGULATIONS AS DESCRIBED IN GS-22-008.

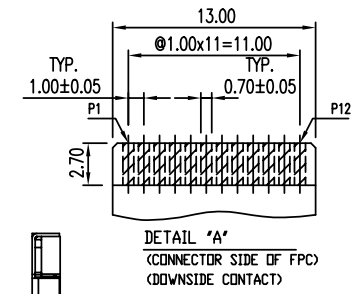
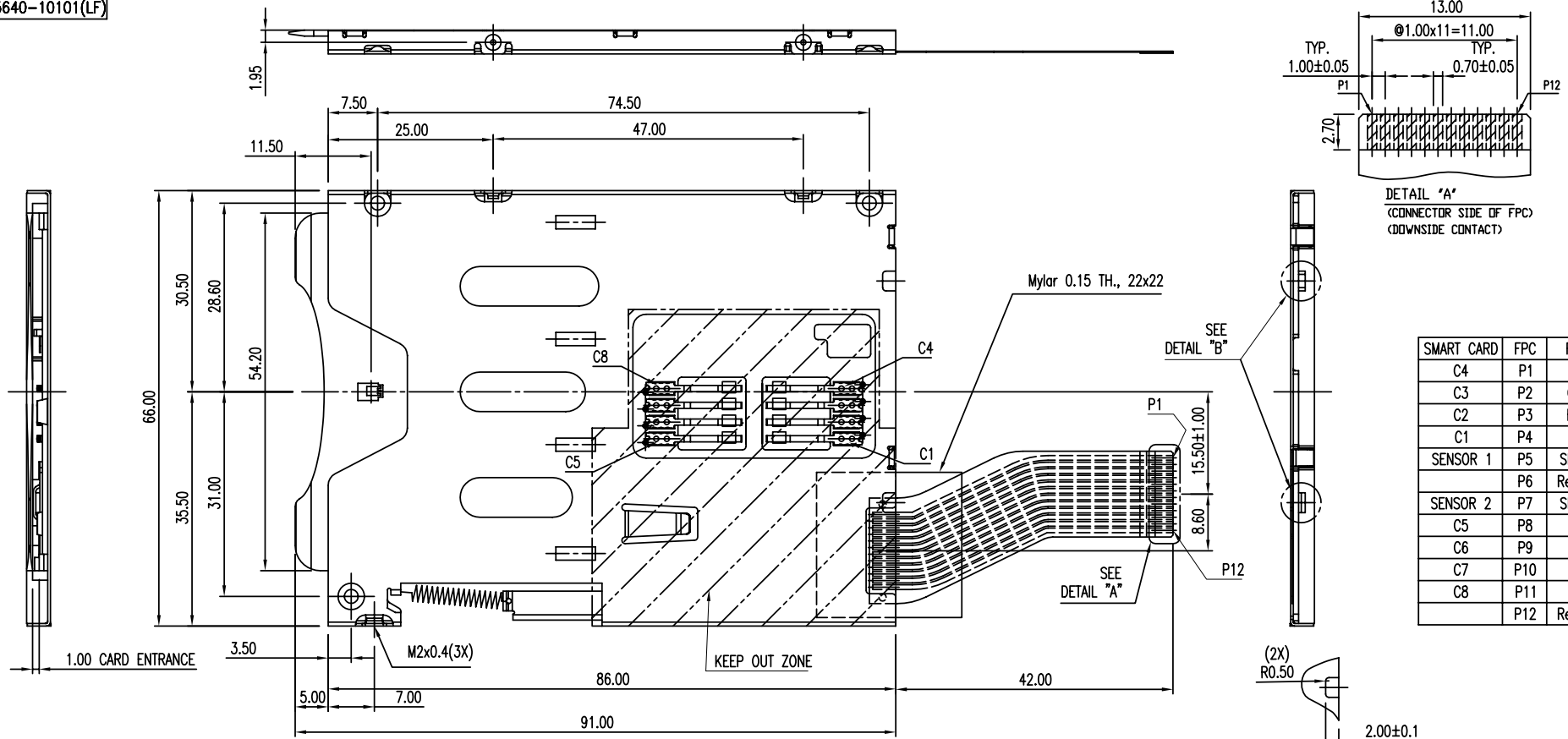


Copyright FCI.

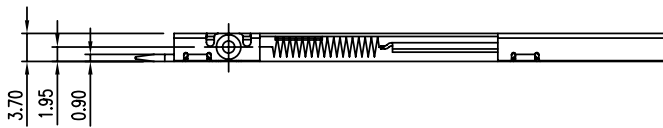
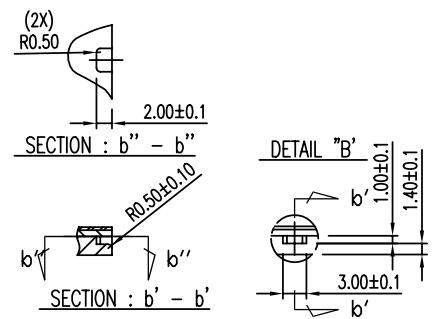
rev	ecn no	dr	date
J	N08-0158	SH	08/01/08
K	N09-0283	SH	26/08/09
L	N10-0227	SH	19/07/10
-	-	-	-
-	-	-	-
-	-	-	-
-	-	-	-

www.fciconnect.com		surface 6.4 ISO 1302	tolerance std ISO 406 ISO 1101	projection ISO 1101	size A4	Scale 1.000
		TOLERANCES UNLESS OTHERWISE SPECIFIED				
Dr	A. JUANG	9/4/00	ANGULAR	0.X	±0.3	
Eng	MINERVA WANG	9/4/00	LINEAR	0.XX	±0.15	
Chr	JOSEPH HSIA	9/4/00	0° ±2°	0.XXX	±0.05	ECN
Appr	JENN TSAD	9/4/00	Product family	Spec ref		
FCI		title	SMART PLUS B ASSEMBLY	dwg no	55640	Rev. L
		catalog no	CUSTOMER	sheet 1 of 7		

PRODUCT NO.  
55640-10101(LF)



SMART CARD	FPC	FUNC.
C4	P1	RFU
C3	P2	Clock
C2	P3	Reset
C1	P4	Vcc
SENSOR 1	P5	SENSOR
	P6	Reserved
SENSOR 2	P7	SENSOR
C5	P8	Gnd
C6	P9	Vpp
C7	P10	I/O
C8	P11	RFU
	P12	Reserved



ENTRANCE RECOMMEND

www.fciconnect.com		surface ISD 1302 ✓	tolerance std ISD 406 ISD 110	projection ⊕
TOLERANCES UNLESS OTHERWISE SPECIFIED		ANGULAR	LINEAR	size A4
Dr	A. JUANG	9/4/00	0.X ±0.3	Scale 1.000
Eng	MINERVA WANG	9/4/00	0.XX ±0.15	ECN
Chr	JOSEPH HSIA	9/4/00	0.XXX ±0.05	Spec ref
Appr	JENN TSAD	9/4/00	Product family	
FCI title SMART PLUS B ASSEMBLY		dwg no 55640		Rev. L
catalog no		CUSTOMER	sheet 2 of 7	



Copyright FCI.

REV F - 2008-04-17

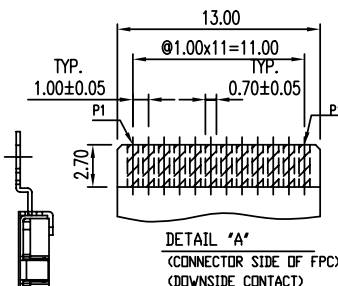
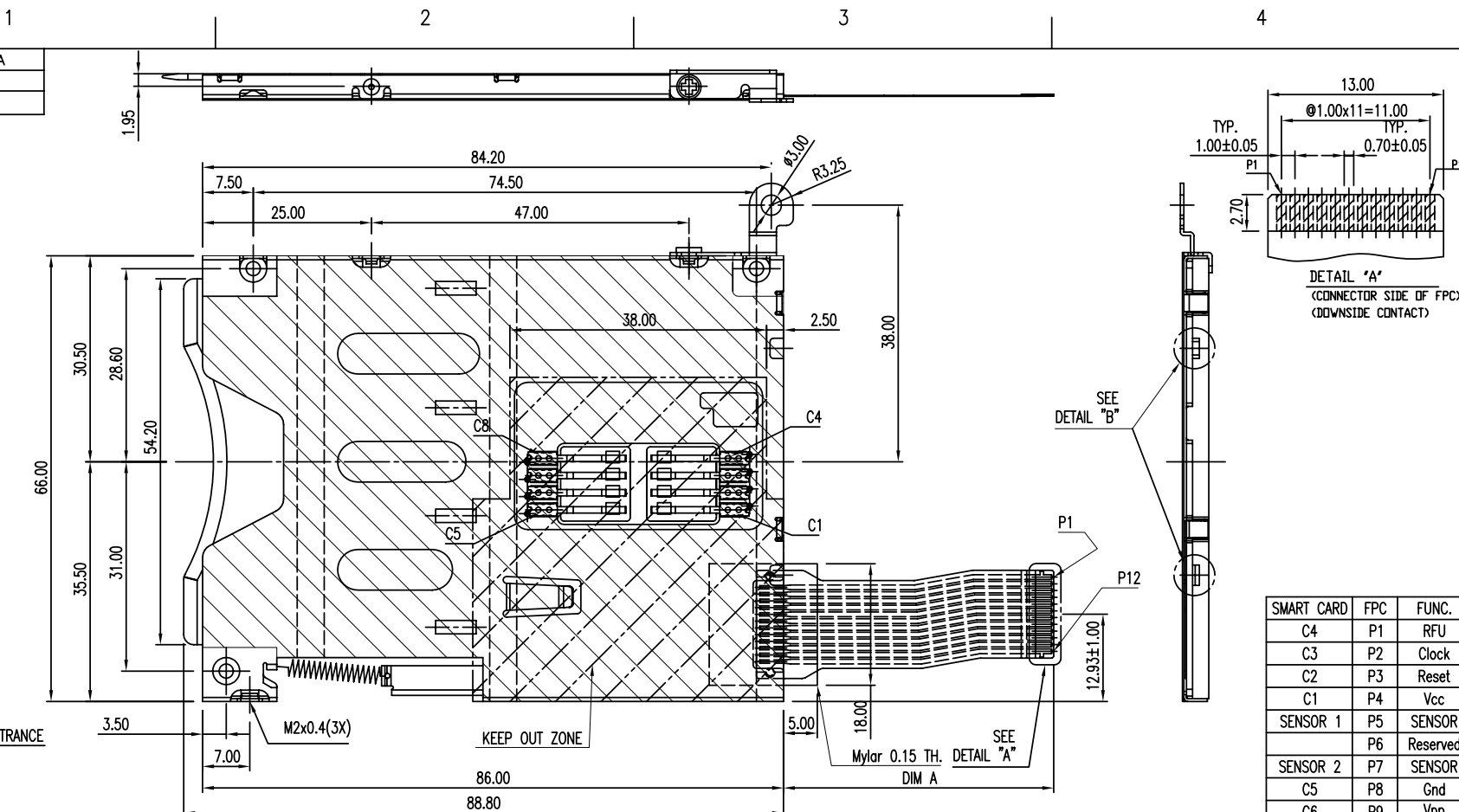
PRODCUT NO.	DIM A
55640-23201(LF)	40
55640-23301(LF)	60

A

B

C

D



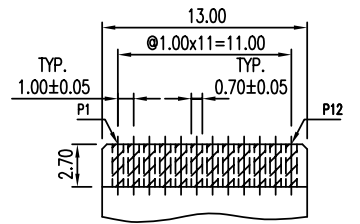
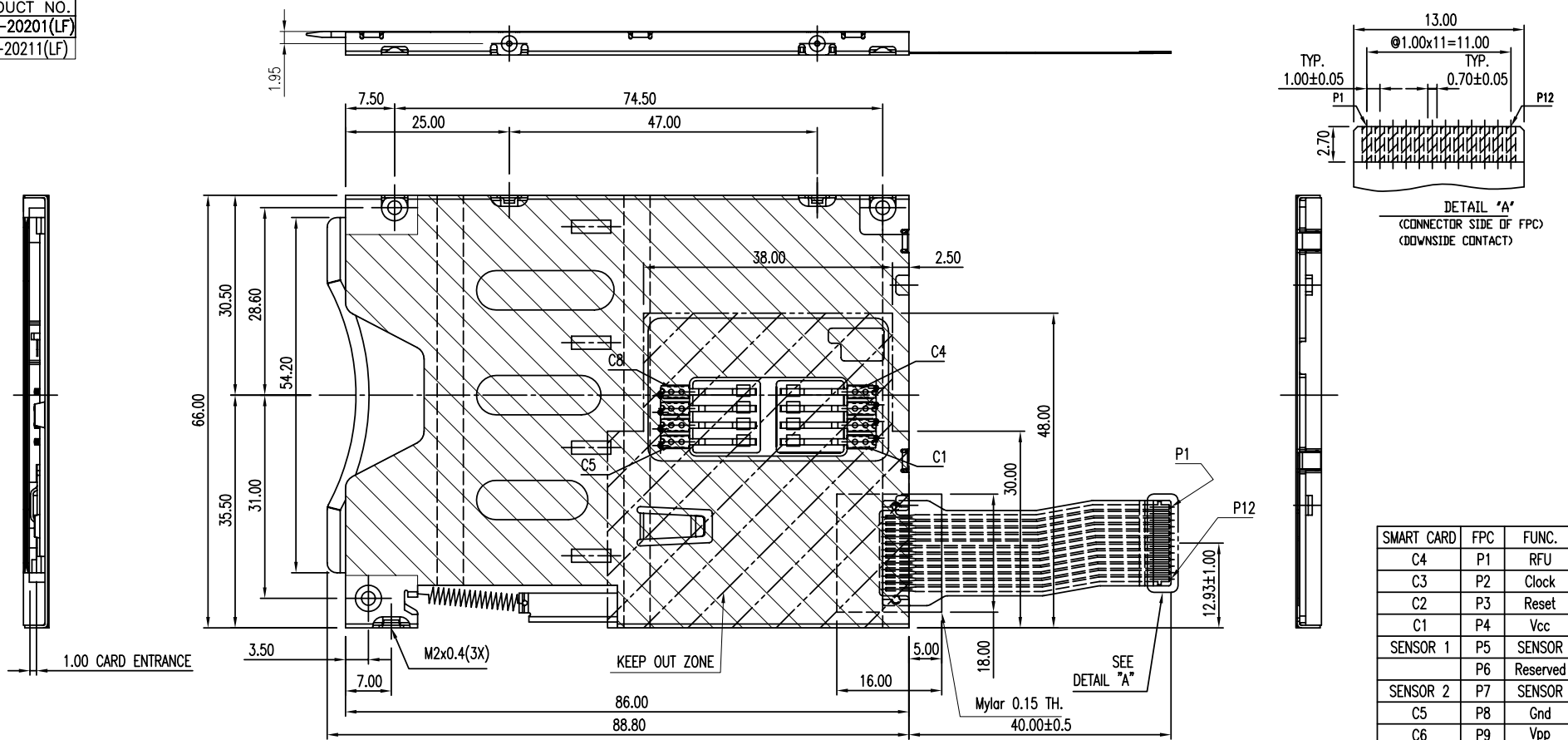
SMART CARD	FPC	FUNC.
C4	P1	RFU
C3	P2	Clock
C2	P3	Reset
C1	P4	Vcc
SENSOR 1	P5	SENSOR
	P6	Reserved
SENSOR 2	P7	SENSOR
C5	P8	Gnd
C6	P9	Vpp
C7	P10	I/O
C8	P11	RFU
	P12	Reserved



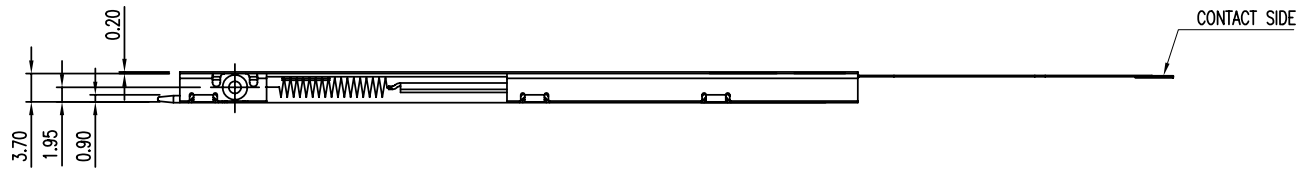
www.fciconnect.com		surface ISD 1302 ✓	tolerance std ISD 406 ISD 1101	projection
		TOLERANCES UNLESS OTHERWISE SPECIFIED		size A4
Dr	A. JUANG	9/4/00	0.X ±0.3	Scale 1.000
Eng	MINERVA WANG	9/4/00	0.XX ±0.15	
Chr	JOSEPH HSIA	9/4/00	0.XXX ±0.05	ECN
Appr	JENN TSAD	9/4/00	Product family	Spec ref
title SMART PLUS B ASSEMBLY		dwg no 55640		Rev. L
catalog no		CUSTOMER		sheet 3 of 7

REV F - 2008-04-17

PRODUCT NO.  
55640-20201(LF)  
55640-20211(LF)



SMART CARD	FPC	FUNC.
C4	P1	RFU
C3	P2	Clock
C2	P3	Reset
C1	P4	Vcc
SENSOR 1	P5	SENSOR
	P6	Reserved
SENSOR 2	P7	SENSOR
C5	P8	Gnd
C6	P9	Vpp
C7	P10	I/O
C8	P11	RFU
	P12	Reserved



KEEP OUT ZONE  
MYLAR

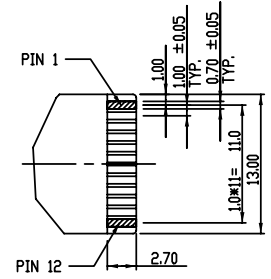
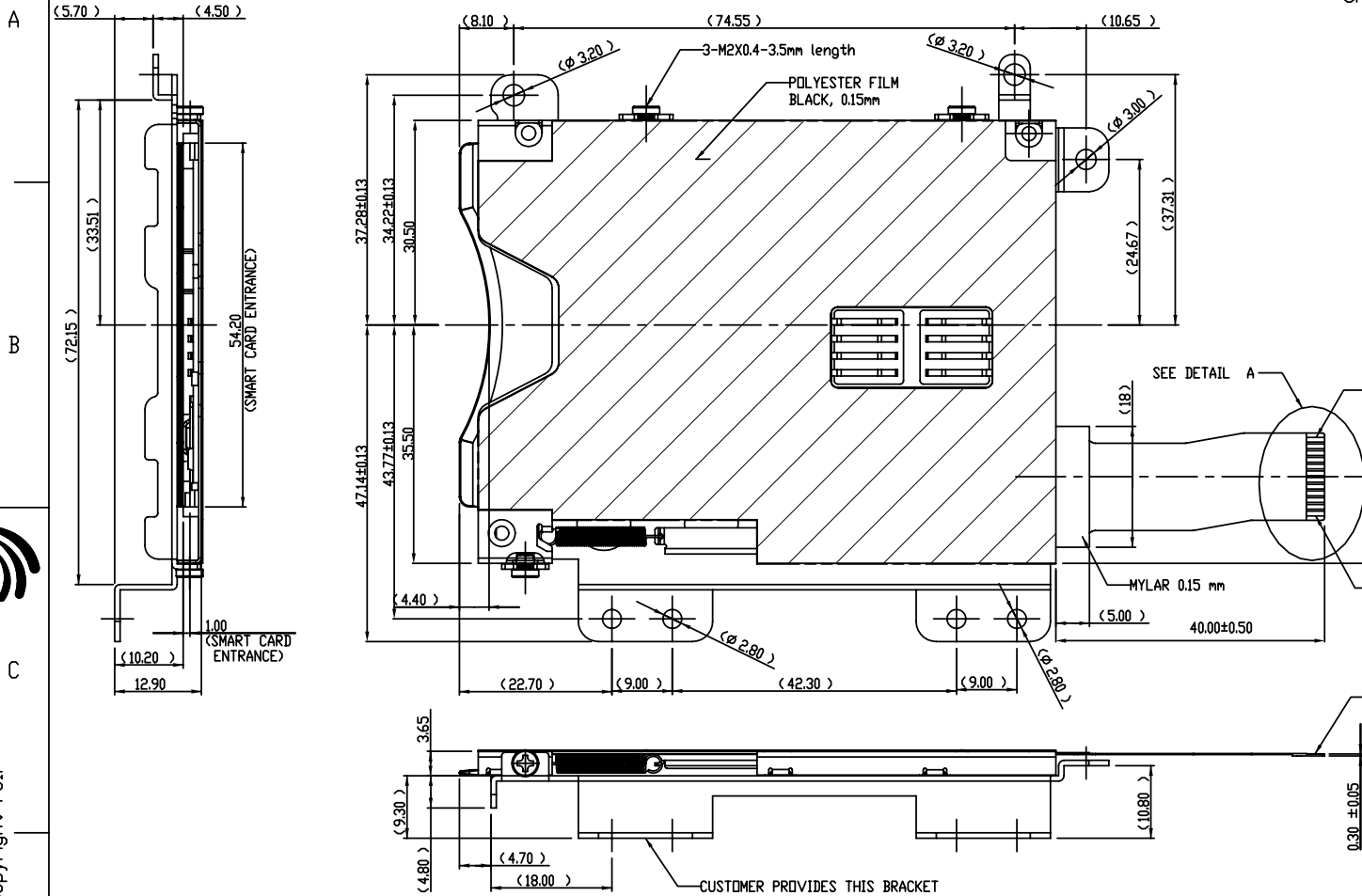
www.fciconnect.com		surface ISD 1302 ✓	tolerance std ISD 406 ISD 1101	projection		
		TOLERANCES UNLESS OTHERWISE SPECIFIED		⊕	←→	
Dr	A. JUANG	9/4/00	ANGULAR	0.X	±0.3	size A4
Eng	MINERVA WANG	9/4/00	LINEAR	0.XX	±0.15	Scale 1.000
Chr	JUOSEPH HSIA	9/4/00	0° ±2°	0.XXX	±0.05	ECN
Appr	JENN TSAD	9/4/00	Product family	Spec ref		
FCj title SMART PLUS B ASSEMBLY		dwg no 55640		Rev. L		
catalog no		CUSTOMER		sheet 4 of 7		

ENTRANCE RECOMMEND

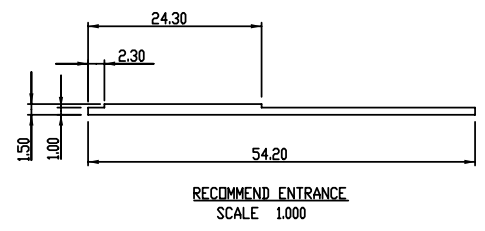


Copyright FCI.

PRODUCT NO  
55640-20202LF



SMART CARD	FPC	FUNC.
C4	P1	RFU
C3	P2	Clock
C2	P3	Reset
C1	P4	Vcc
SENSOR 1	P5	SENSOR
	P6	Reserved
SENSOR 2	P7	SENSOR
C5	P8	Gnd
C6	P9	Vpp
C7	P10	I/O
C8	P11	RFU
	P12	Reserved

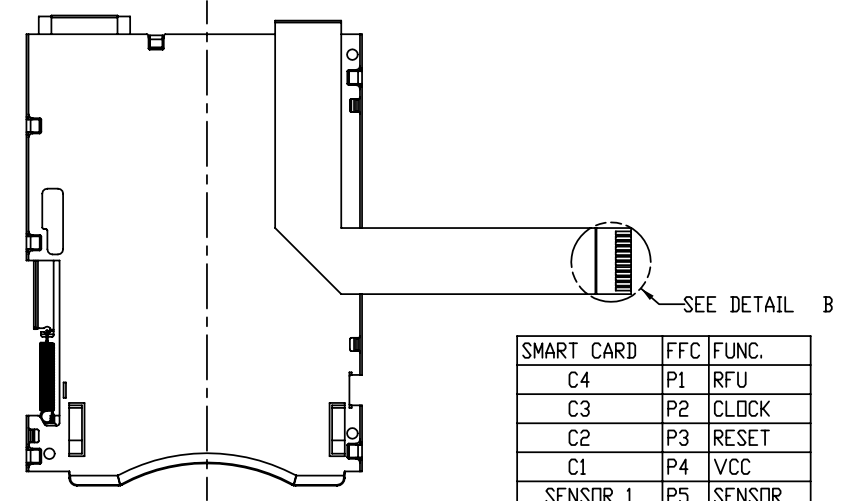
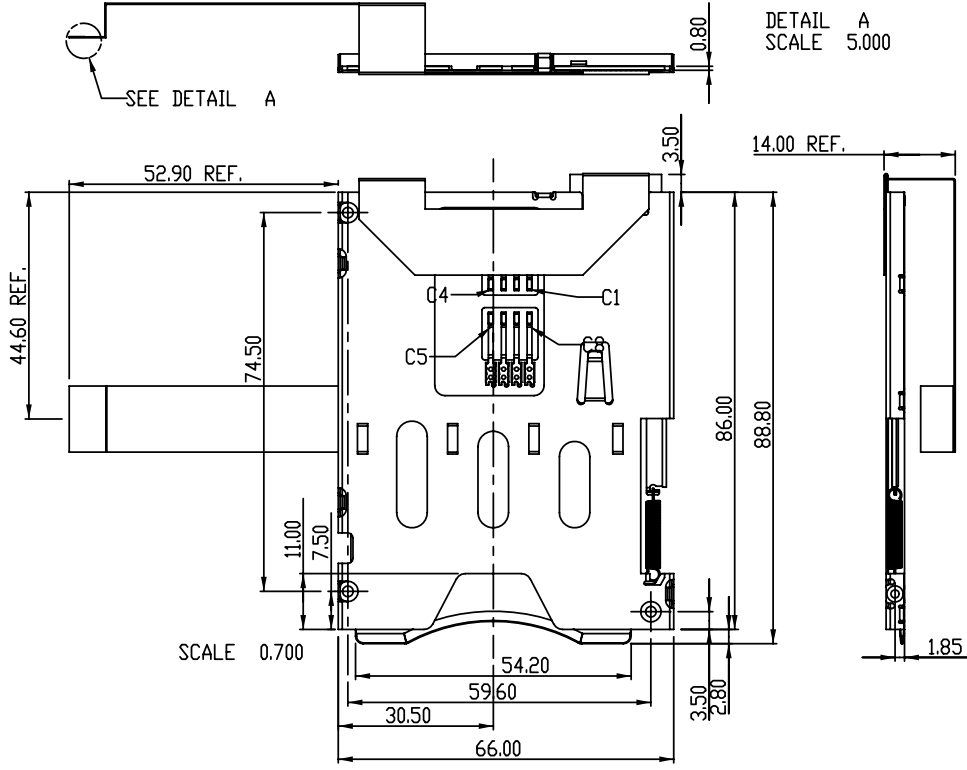
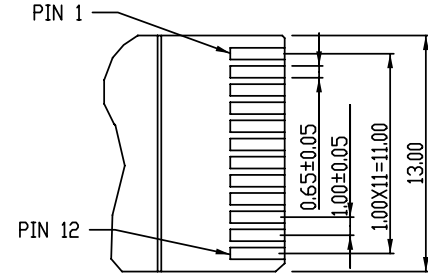
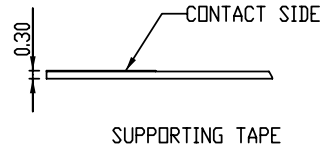


www.fciconnect.com			surface ISO 1302 ✓		tolerance std ISO 406 ISO 1101		projection ⊕		size A4		Scale 1.000	
TOLERANCES UNLESS OTHERWISE SPECIFIED										↔		
Dr	A. JUANG	9/4/00	ANGULAR	0.X	±0.3	size		A4		Scale		
Eng	MINERVA WANG	9/4/00	LINEAR	0.XX	±0.15	size		A4		Scale		
Chr	JOSEPH HSIA	9/4/00	0° ±2°	0.XXX	±0.05	size		A4		Scale		
Appr	JENN TSAO	9/4/00	Product family				ECN		Spec ref			
FCI			title SMART PLUS B ASSEMBLY				eng no 55640		Rev. L		sheet 5 of 7	
catalog no			CUSTOMER				sheet 5 of 7					



Copyright FCI.

PRODUCT NO.  
55640-30201LF



SMART CARD	FFC	FUNC.
C4	P1	RFU
C3	P2	CLOCK
C2	P3	RESET
C1	P4	VCC
SENSDR 1	P5	SENSDR
	P6	Reserved
SENSPR 2	P7	SENSDR
C5	P8	GND
C6	P9	VPP
C7	P10	I/O
C8	P11	RFU
	P12	Reserved

www.fciconnect.com		surface ISO 1302 ✓	tolerance std ISO 406 ISO 1101	projection ⊕	size A4	Scale 1,000
		TOLERANCES UNLESS OTHERWISE SPECIFIED				
Dr	A. JUANG	9/4/00	ANGULAR	0.X	±0.3	
Eng	MINERVA WANG	9/4/00	LINEAR	0.XX	±0.15	
Chr	JDESEPH HSIA	9/4/00	0° ±2°	0.XXX	±0.05	ECN
Appr	JENN TSAD	9/4/00	Product family		Spec ref	
title SMART PLUS B ASSEMBLY		dwg no 55640		Rev. L		
catalog no		CUSTOMER		sheet 6 of 7		

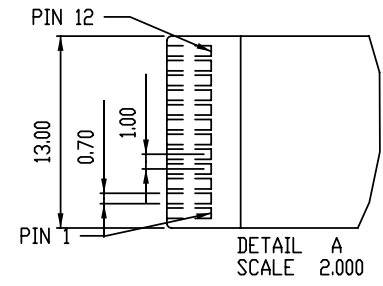
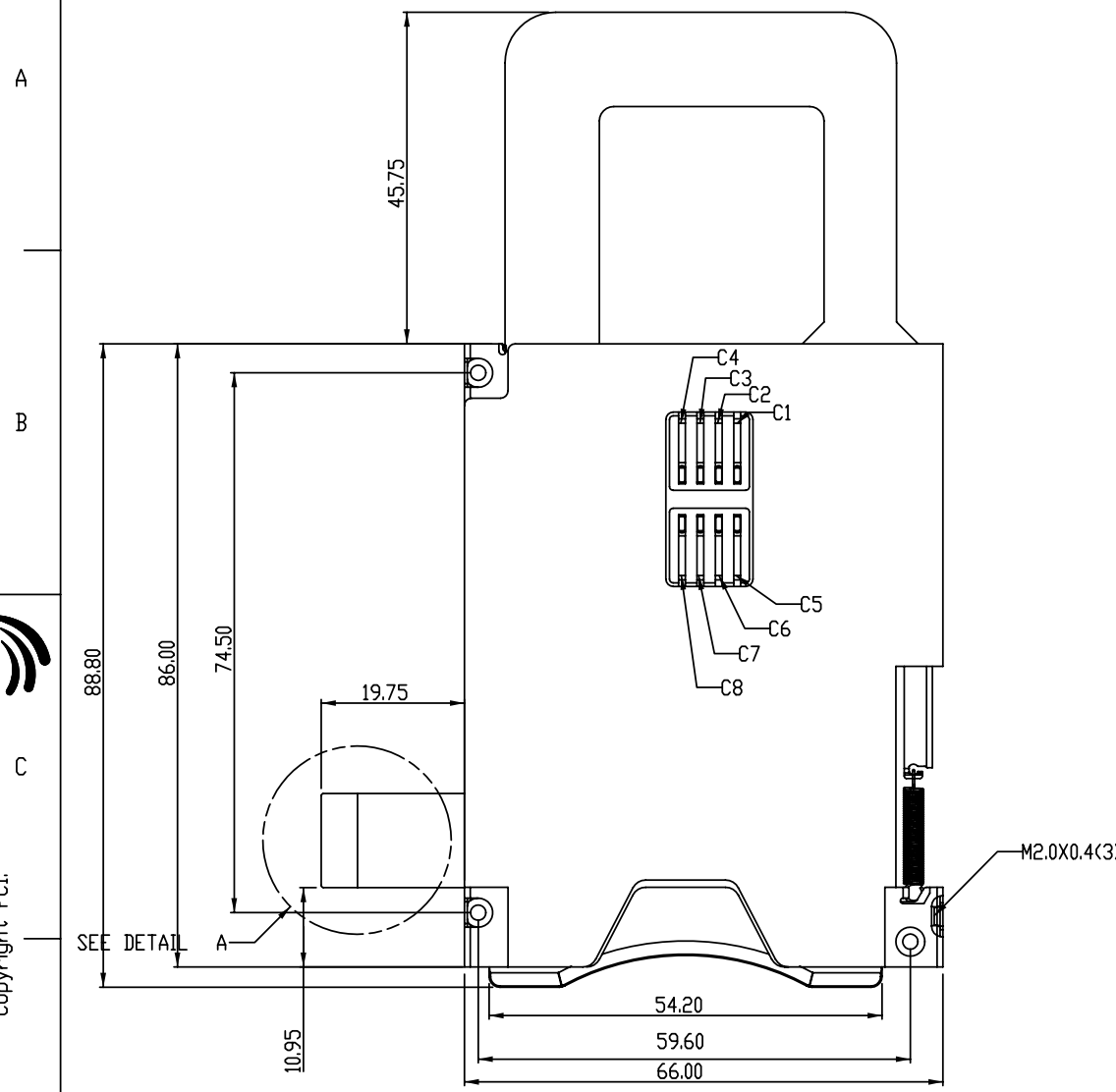
REV F - 2006-04-17



Copyright FCI.

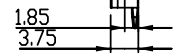
1 2 3 4

PRODUCT NUMBER  
55640-20301LF



SMART CARD	FPC	FUNC.
C4	P1	RFU 4
C3	P2	CLOCK
C2	P3	RESET
C1	P4	Vcc
SENSOR 1	P5	SENSOR
	P6	RESERVED
SENSOR 2	P7	SENSOR
C5	P8	Gnd
C6	P9	Vpp
C7	P10	I/O
C8	P11	RFU 8
	P12	RESERVED

NOTE:  
 1. Material:  
 METAL SHELL: STAINLESS STEEL, T=0.40mm  
 PCB: FR-4, T=0.80mm  
 TERMINAL: PHOSPHOR BRONZE.  
 PLATING SPEC AS BELOW:  
 ALL OVER NICKEL UNDERPLATING  
 PURE TIN PLATING ON CONTACT SURFACE.  
 AND SOLDER TAIL.  
 2. CARD DETECTION SWITCH NORMALLY OPEN WITHOUT MATING CARD



Copyright FCI.

www.fciconnect.com			surface - ✓	tolerance std	projection	
			TOLERANCES UNLESS OTHERWISE SPECIFIED		⊕	↔
Dr	A. JUANG	9/4/00	ANGULAR	0.X ±0.3	size	Scale 1.000
Eng	MINERVA WANG	9/4/00	LINEAR	0.XX ±0.15	A4	
Chr	JJOESEPH HSIA	9/4/00	0° ±2°	0.XXX ±0.05	ECN	
Appr	JENN TSAD	9/4/00	Product family	-	Spec ref	
FCI			title SMART PLUS B ASSEMBLY		dwg no	55640
			catalog no -		CUSTOMER	Rev. L
					sheet 7 of 7	

REV F - 2006-04-17

1 2 3 4