



Chipsmall Limited consists of a professional team with an average of over 10 year of expertise in the distribution of electronic components. Based in Hongkong, we have already established firm and mutual-benefit business relationships with customers from,Europe,America and south Asia,supplying obsolete and hard-to-find components to meet their specific needs.

With the principle of “Quality Parts,Customers Priority,Honest Operation,and Considerate Service”,our business mainly focus on the distribution of electronic components. Line cards we deal with include Microchip,ALPS,ROHM,Xilinx,Pulse,ON,Everlight and Freescale. Main products comprise IC,Modules,Potentiometer,IC Socket,Relay,Connector.Our parts cover such applications as commercial,industrial, and automotives areas.

We are looking forward to setting up business relationship with you and hope to provide you with the best service and solution. Let us make a better world for our industry!



Contact us

Tel: +86-755-8981 8866 Fax: +86-755-8427 6832

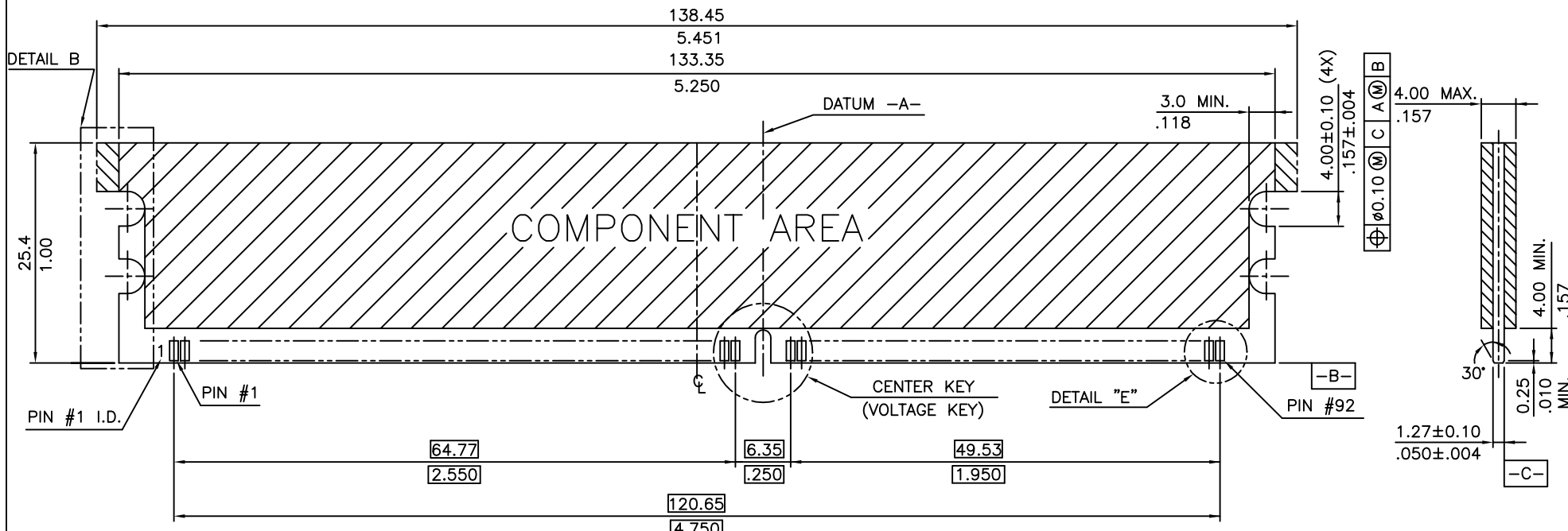
Email & Skype: info@chipsmall.com Web: www.chipsmall.com

Address: A1208, Overseas Decoration Building, #122 Zhenhua RD., Futian, Shenzhen, China

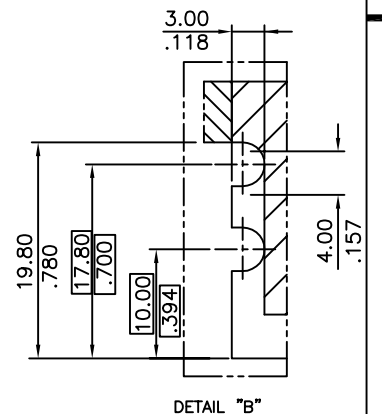
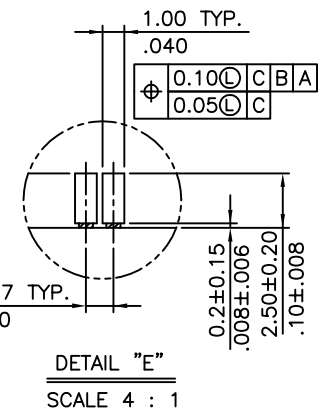
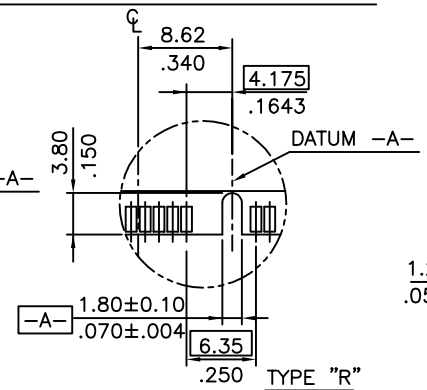
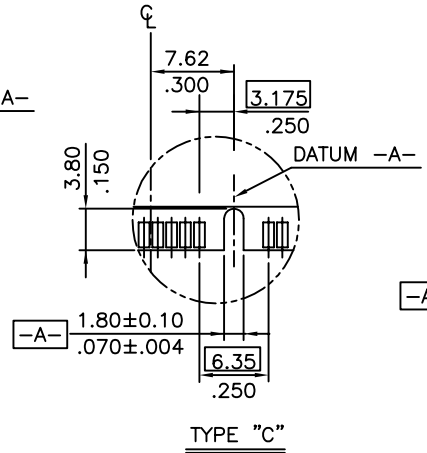
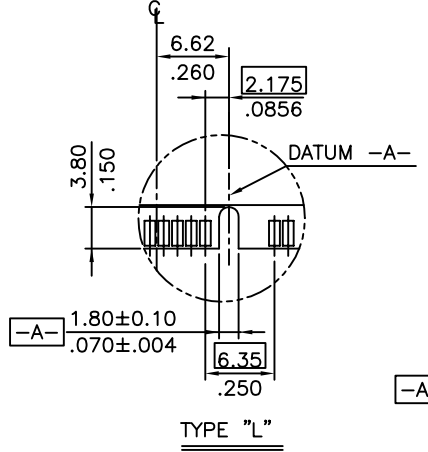


Tous droits strictement reserves. Reproduction ou communication a des tiers interdite sous quelque forme que ce soit sans autorisation ecrite du propriétaire. Propriete de c FCI. Droits de reproduction FCI.

All rights strictly reserved. Reproduction or issue to third parties in any form whatever is not permitted without written authority from the proprietor. Property of FCI. Copyright FCI.



RECOMMENDED MODULE LAYOUT

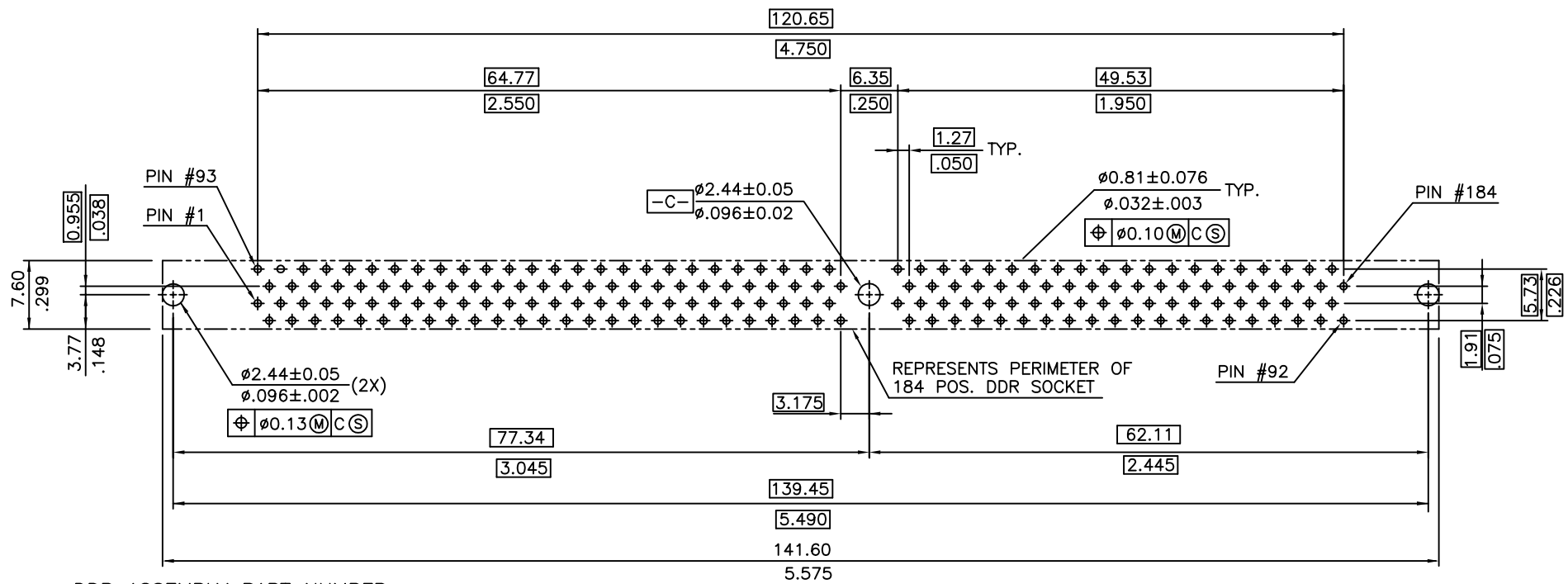


TYPE "R"	3.3 VOLT.
TYPE "L"	2.5 VOLT.
TYPE "C"	1.8 VOLT.
CENTER KEY	DESCRIPTION

mat'l. code		tolerances unless otherwise specified		CUSTOMER COPY		FCI www.fciconnect.com	
ltr	ecn no	dr	date	linear	.X ± 0.38/.015	projection	title
C					.XX ± 0.25/.010		DDR 184P .050" 1-ROW, V/T ASS'Y PLASTIC POST
				angles	.XXX ± 0.15/.005		
					0° ± 2'	MM	product family
				dr	MAGGIE WU 10/03/00	scale	DDR
				enr	BEN TSAO 10/03/00	1.5:1	code
				chr	BEN TSAO 10/03/00	A4	55660
				appd	JENN TSAO 10/03/00		size
sheet index	revision sheet						dwg no
							2 of

Tous droits strictement réservés. Reproduction ou communication a des tiers interdite sous quelque forme que ce soit sans autorisation écrite du propriétaire. Propriété de c FCI. Droits de reproduction FCI.

All rights strictly reserved. Reproduction or issue to third parties in any form whatever is not permitted without written authority from the proprietor. Property of FCI. Copyright FCI.



DDR ASSEMBLY PART NUMBER

5 5 6 6 0 - □ □ □ □

RECOMMENDED CIRCUIT BOARD HOLE LAYOUT

- STYLE
- 1 : FOR 3.3 VOLT.
 - 2 : FOR 2.5 VOLT.
 - 3 : FOR 1.8 VOLT.
- RESERVED
- 0

PLATING

CODE	CONTACT	SOLDERTAIL	UNDERPLATE	CODE	CONTACT	SOLDERTAIL	UNDERPLATE
2	15μ" (0.38μm) MIN. GOLD	100μ" (2.54μm) MIN. TIN/LEAD	50μ" (1.27μm) MIN. NICKEL OVERALL	7LF	15μ" (0.38μm) MIN. GOLD	100μ" (2.54μm) MIN. 100% TIN	50μ" (1.27μm) MIN. NICKEL OVERALL
3	30μ" (0.76μm) MIN. GOLD			8LF	30μ" (0.76μm) MIN. GOLD		
4	GOLD FLASH			9LF	GOLD FLASH		

TAIL LENGTH

CODE	DIM. "B"	TOLERANCE
1	2.29 .090	±0.25 ±.01
2	2.79 .110	±0.25 ±.01
3	2.67 .105	±0.25 ±.01
4	3.05 .120	±0.25 ±.01

COLOR OF HOUSING AND EJECTOR

0 : BLACK HOUSING + IVORY EJECTOR

mat'l. code				tolerances unless otherwise specified		CUSTOMER COPY		 www.fciconnect.com	
ltr	ecn no	dr	date	linear	.X ± 0.38/.015		projection	title	
D					.XX ± 0.25/.010			 DDR 184P .050" 1-ROW, V/T ASS'Y PLASTIC POST	
				angles	0° ±2'		 MM	product family	
				dr	MAGGIE WU	10/03/00		DDR	
				enr	BEN TSAO	10/03/00	 1.5:1	code	
				chr	BEN TSAO	10/03/00		TWN	
				appd	JENN TSAO	10/03/00	 A4	sheet	
sheet index		revision sheet				scale 1.5:1		size 55660	
								cage code 526	
								sheet 3 of	