



Chipsmall Limited consists of a professional team with an average of over 10 year of expertise in the distribution of electronic components. Based in Hongkong, we have already established firm and mutual-benefit business relationships with customers from,Europe,America and south Asia,supplying obsolete and hard-to-find components to meet their specific needs.

With the principle of “Quality Parts,Customers Priority,Honest Operation,and Considerate Service”,our business mainly focus on the distribution of electronic components. Line cards we deal with include Microchip,ALPS,ROHM,Xilinx,Pulse,ON,Everlight and Freescale. Main products comprise IC,Modules,Potentiometer,IC Socket,Relay,Connector.Our parts cover such applications as commercial,industrial, and automotives areas.

We are looking forward to setting up business relationship with you and hope to provide you with the best service and solution. Let us make a better world for our industry!



Contact us

Tel: +86-755-8981 8866 Fax: +86-755-8427 6832

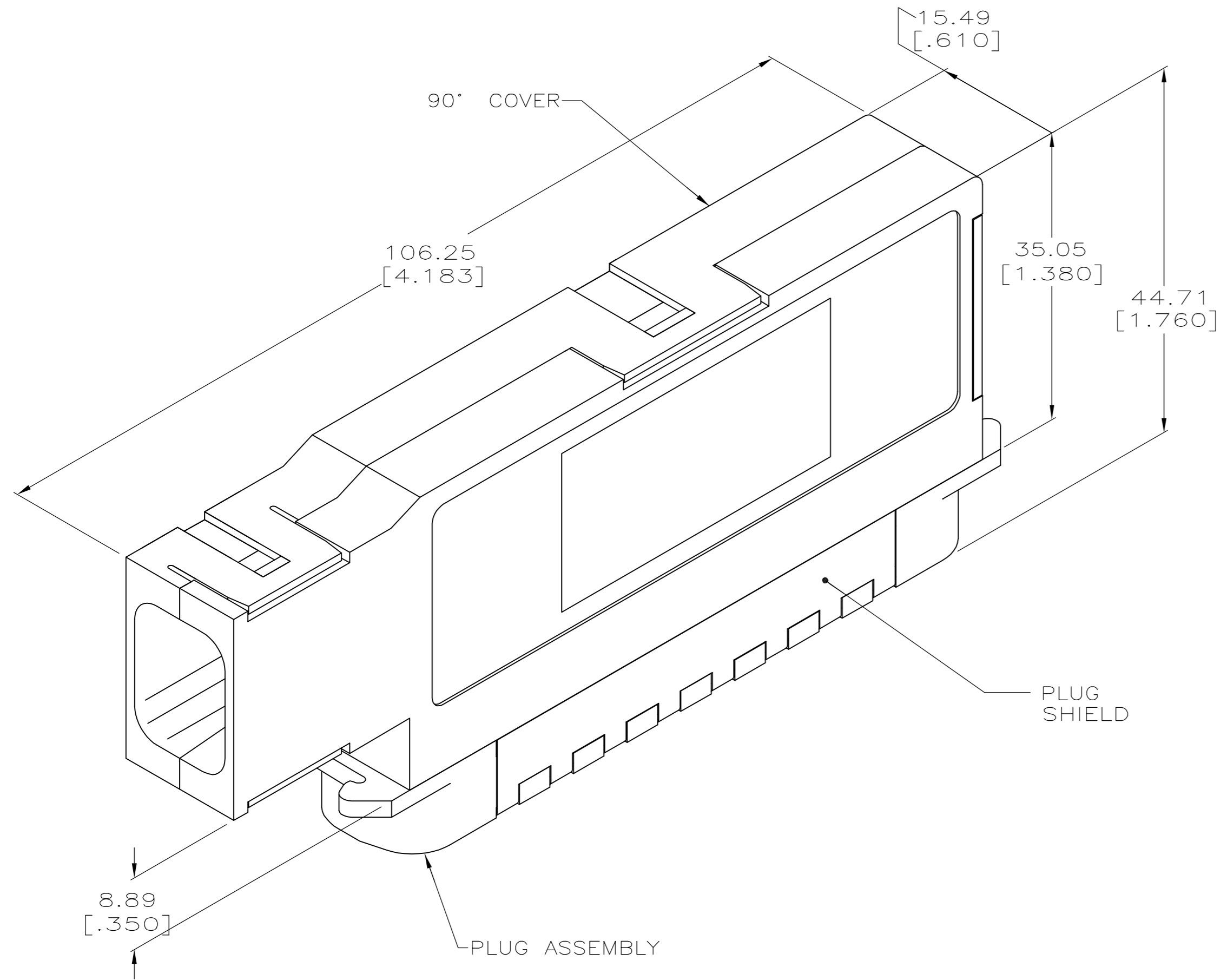
Email & Skype: info@chipsmall.com Web: www.chipsmall.com

Address: A1208, Overseas Decoration Building, #122 Zhenhua RD., Futian, Shenzhen, China



THIS DRAWING IS UNPUBLISHED. RELEASED FOR PUBLICATION
 © COPYRIGHT BY TYCO ELECTRONICS CORPORATION. ALL RIGHTS RESERVED.

LOC		DIST		REVISIONS			
P	LTR	DESCRIPTION		DATE	DWN	APVD	
GP	00	G		REVISED PER ECO-06-025935	12/FEB/07	ZMR WLM	



1. THIS ASSEMBLY SHOWN ASSEMBLED BUT SHIPPED UNASSEMBLED.
2. MATERIAL: HOUSING - POLYPHENYLENE OXIDE, BLACK. SHIELDS - CARBON STEEL PLATED WITH 5.1µm [.000200] MINIMUM NICKEL. COVERS - ABS MOLDING COMPOUND, PLATED WITH 0.51µm [.000020] MINIMUM ELECTROLYTIC NICKEL OVER 5.1µm [.000200] MINIMUM ELECTROLYTIC COPPER OVER 0.25µm [.000010] MINIMUM ELECTROLESS NICKEL. TERMINAL - PHOSPHOROUS BRONZE PLATED WITH 0.76µm [.000030] MIN GOLD OR GOLD FLASH OVER 0.76µm [.000030] MIN PALLADIUM NICKEL ON CONTACT MATING SURFACE. 1.27µm [.000050] MIN NICKEL UNDERPLATE OVER ENTIRE TERMINAL.
3. WIRE SIZE: 24-26 AWG SOLID OR 24 AWG 7-STRANDED COPPER CONDUCTORS. INSULATION DIAMETER 0.73-1.15 [.029-.045] IS ACCEPTABLE FOR MOST APPLICATIONS.
4. WIRE SIZE: 22 AWG SOLID OR 7-STRANDED COPPER CONDUCTORS. INSULATION DIAMETER 1.14-1.42 [.045-.056] IS ACCEPTABLE FOR MOST APPLICATIONS.
5. ALL DIMENSIONS SHOWN ARE MAXIMUM UNLESS OTHERWISE SPECIFIED.
6. CABLE RANGE: 11.43-13.97 [.450-.550] OUTSIDE DIAMETER.
7. CABLE RANGE: 13.97-17.78 [.550-.700] OUTSIDE DIAMETER.
8. DIMENSIONS SHOWN IN [] ARE INCHES.
9. KIT PACKAGED 1 PER POLYBAG.
10. BULK PACKAGED 100 KITS PER BOX.
11. WIRE SIZE: 24 AND 26 AWG SOLID OR STRANDED (7 STRANDS) COPPER CONDUCTORS. MAXIMUM INSULATION DIAMETER 1.32 [.052] IS ACCEPTABLE FOR MOST APPLICATIONS.

PACKAGING	COLOR DOT	SLOT SIZE	PART NUMBER
	WHITE	K	556624-4
	BLUE	B	556624-3
OBSOLETE	BROWN	F	556624-2
OBSOLETE	BLUE	B	556624-1

THIS DRAWING IS A CONTROLLED DOCUMENT.		DWN	R. NELSON	10-17-89	Tyco Electronics Corporation Harrisburg, PA 17105-3608
DIMENSIONS: mm [INCHES]		CHK	B. FOX	12-19-89	
TOLERANCES UNLESS OTHERWISE SPECIFIED:		APVD	R. NELSON	12-20-89	
0 PLC ± - 1 PLC ± - 2 PLC ± - 3 PLC ± - 4 PLC ± - ANGLES ± - FINISH		PRODUCT SPEC	NAME		
		APPLICATION SPEC	PLUG ASSEMBLY KIT, 64 POSITION, 90° EXIT, SHIELDED, CHAMP		RESTRICTED TO
MATERIAL		WEIGHT	SIZE		CAGE CODE
			A2		00779
CUSTOMER DRAWING		SCALE		SHEET	
		2:1		1 of 1	
		REV		G	