



Chipsmall Limited consists of a professional team with an average of over 10 year of expertise in the distribution of electronic components. Based in Hongkong, we have already established firm and mutual-benefit business relationships with customers from,Europe,America and south Asia,supplying obsolete and hard-to-find components to meet their specific needs.

With the principle of "Quality Parts,Customers Priority,Honest Operation,and Considerate Service",our business mainly focus on the distribution of electronic components. Line cards we deal with include Microchip,ALPS,ROHM,Xilinx,Pulse,ON,Everlight and Freescale. Main products comprise IC,Modules,Potentiometer,IC Socket,Relay,Connector.Our parts cover such applications as commercial,industrial, and automotives areas.

We are looking forward to setting up business relationship with you and hope to provide you with the best service and solution. Let us make a better world for our industry!



Contact us

Tel: +86-755-8981 8866 Fax: +86-755-8427 6832

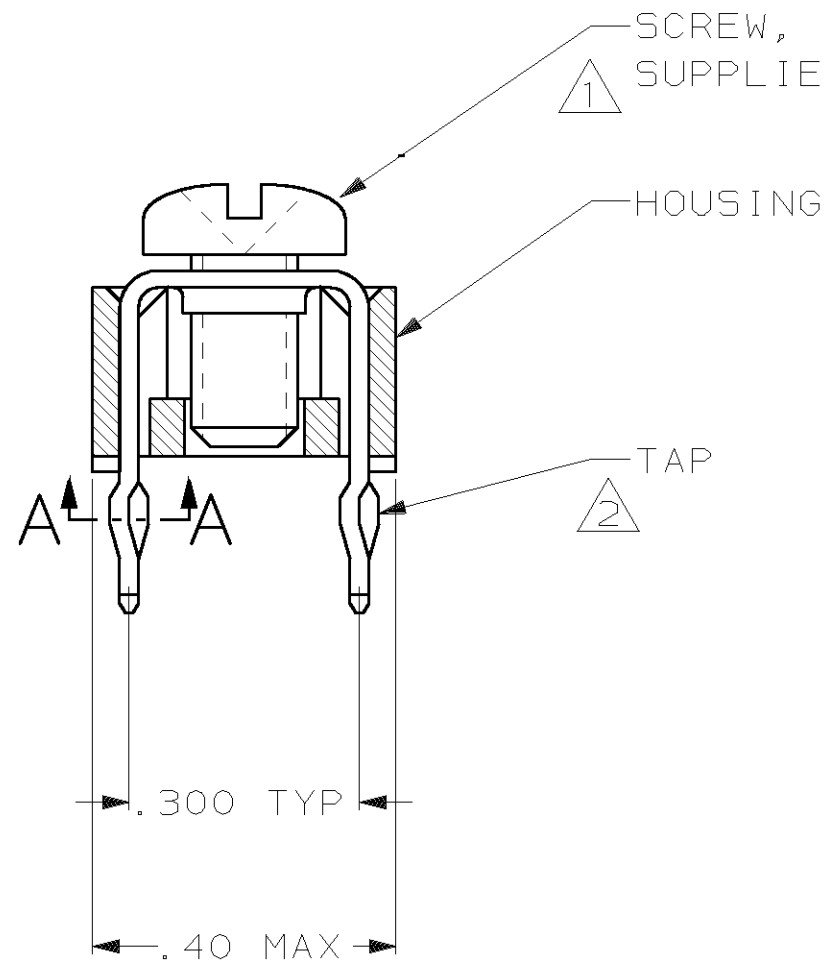
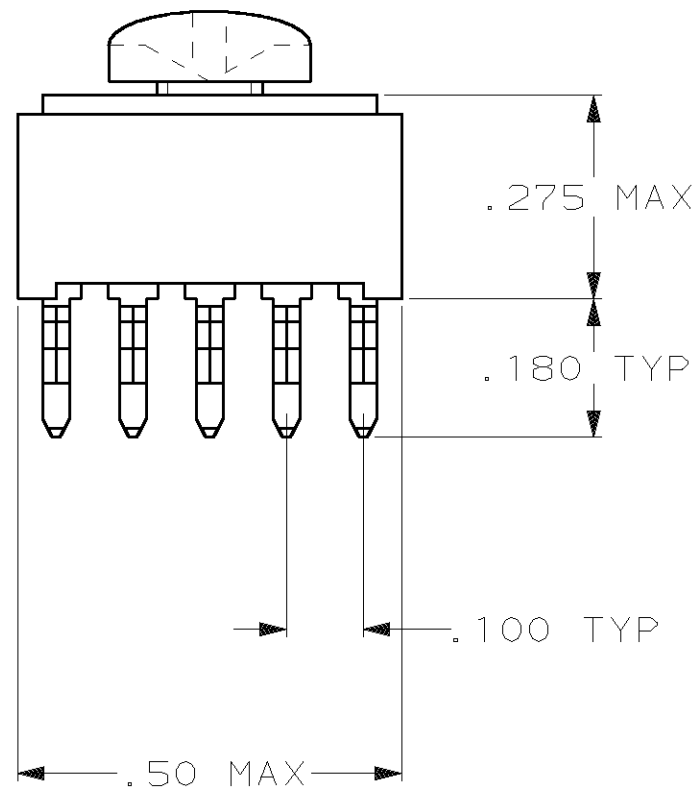
Email & Skype: info@chipsmall.com Web: www.chipsmall.com

Address: A1208, Overseas Decoration Building, #122 Zhenhua RD., Futian, Shenzhen, China



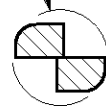
THIS DRAWING IS UNPUBLISHED. RELEASED FOR PUBLICATION, 19
 © COPYRIGHT 19 BY AMP INCORPORATED. ALL INTERNATIONAL RIGHTS RESERVED.

M	LOC	DIST	P	F	ZONE	LTR	DESCRIPTION	DATE	APPD
-	GP	00				G	REV PER OUE0-0037-01	17OCT01	JR



① TO PREVENT THREAD STRIPPING, SCREW TORQUE SHOULD NOT EXCEED 9 IN LBS.
 ② TAP HOLE IS 6-32UNC-2B, TWO MIN THREADS.

.050±.005 DIA



SECTION A-A
 SCALE 10:1
 10 PLACES

SUPSD BY -2	YES	55673-2
	NO	55673-1
	SCREW	PART NO

DO NOT SCALE PRINT. UNLESS SPECIFIED DIMENSIONS IN INCHES TOLERANCES ON: 2 PLC DEC ± 3 PLC DEC ± .010 ANGLES ±	DR L. BRINER 4/1/97 CHK H. JAMSHIDIAN 4/1/97 APPD H. JAMSHIDIAN 4/1/97 APPD H. JAMSHIDIAN 4/1/97
MATERIAL HOUSING: NYLON TAP: COPPER ALLOY 725, .025 THICK	PRODUCT SPEC
FINISH TAP: .000150 TIN-LEAD OVER .000050 NICKEL	APPLICATION SPEC
	WEIGHT

AMP INCORPORATED Harrisburg, Pa. 17105		NAME	
		TAP ASSEMBLY, POWER DISTRIBUTION	
SIZE	FSCM NO	DRAWING NO	
B	00779	55673	
SCALE	4:1	SHEET	1 OF 1