



Chipsmall Limited consists of a professional team with an average of over 10 year of expertise in the distribution of electronic components. Based in Hongkong, we have already established firm and mutual-benefit business relationships with customers from,Europe,America and south Asia,supplying obsolete and hard-to-find components to meet their specific needs.

With the principle of “Quality Parts,Customers Priority,Honest Operation,and Considerate Service”,our business mainly focus on the distribution of electronic components. Line cards we deal with include Microchip,ALPS,ROHM,Xilinx,Pulse,ON,Everlight and Freescale. Main products comprise IC,Modules,Potentiometer,IC Socket,Relay,Connector.Our parts cover such applications as commercial,industrial, and automotives areas.

We are looking forward to setting up business relationship with you and hope to provide you with the best service and solution. Let us make a better world for our industry!



## Contact us

Tel: +86-755-8981 8866 Fax: +86-755-8427 6832

Email & Skype: info@chipsmall.com Web: www.chipsmall.com

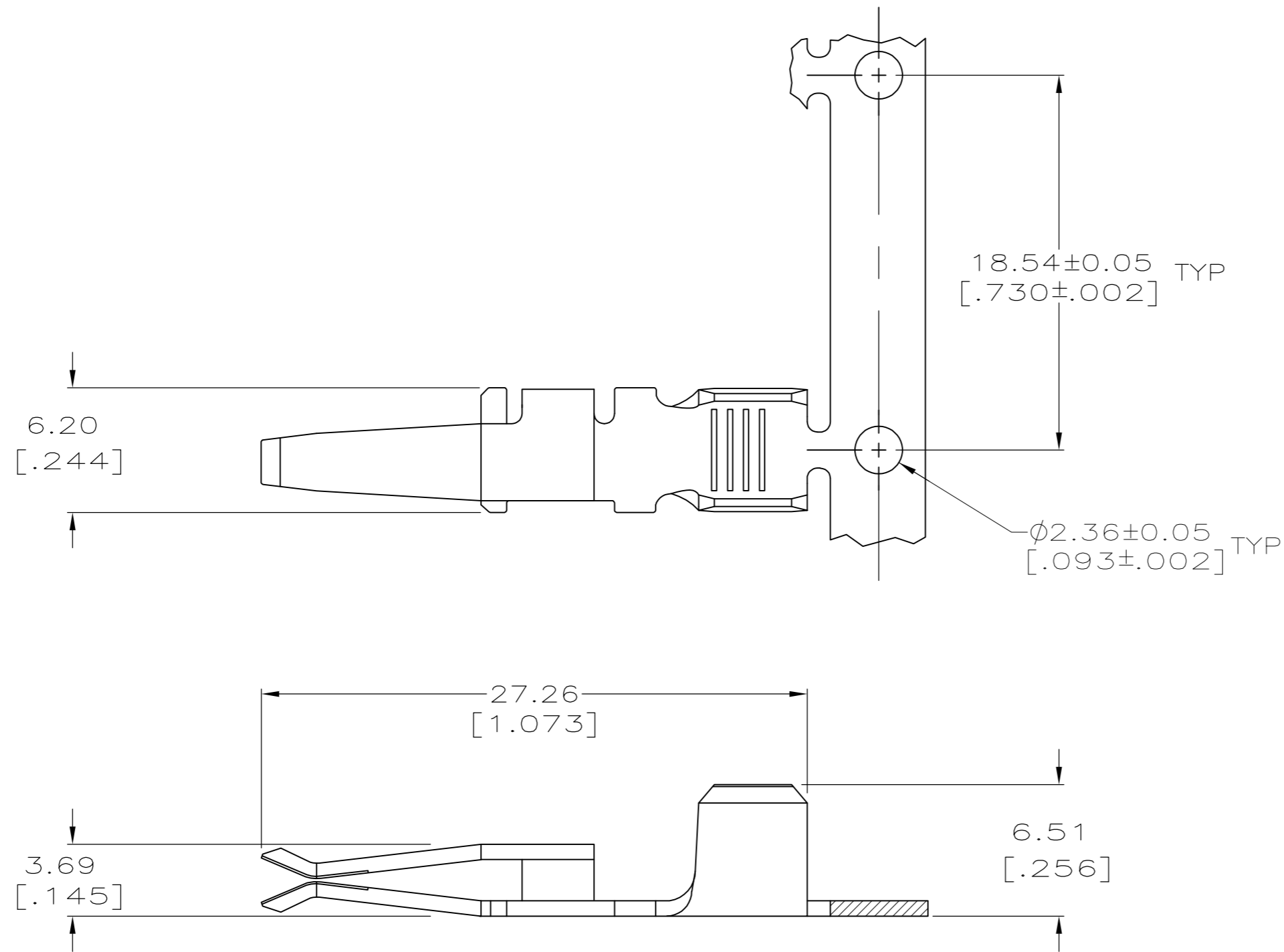
Address: A1208, Overseas Decoration Building, #122 Zhenhua RD., Futian, Shenzhen, China



THIS DRAWING IS UNPUBLISHED. RELEASED FOR PUBLICATION  
 © COPYRIGHT - By - ALL RIGHTS RESERVED.

LOC		DIST		REVISIONS			
P	LTR	DESCRIPTION		DATE	DWN	APVD	
	C1	REVISED PER ECO-11-004917		11MAR11	RK	HMR	

- 1 ALL DIMENSIONS SHOWN ARE MAXIMUM UNLESS OTHERWISE SPECIFIED.
- 2 MATERIAL: 2.54  $\mu\text{m}$  [.000100] MINIMUM TIN PLATED COPPER ALLOY, 0.74-0.79 [.030 $\pm$ .001] THICK.
- 3. WIRE BARREL ACCEPTS ONE 10 OR 12 AWG STRANDED COPPER WIRE.
- 4 CONTACTS ON REEL SHALL BE CRIMPED USING APPLICATOR TOOL 567256.
- 5 LOOSE PIECE CONTACTS SHALL BE CRIMPED USING TOOLS AND DIE SETS LISTED BELOW.  
 HAND TOOL: AMP PART NO. 69710  
 PNEUMATIC TOOL: AMP PART NO. 69365  
 DIE SET 10 AWG: AMP PART NO. 58491-1  
 DIE SET 12 AWG: AMP PART NO. 58490-1



2000/REEL	4	556880-2
LOOSE PIECE 200/BOX	5	556880-1
DESCRIPTION		PART NO

THIS DRAWING IS A CONTROLLED DOCUMENT.		DWN	5-30-91	 TE Connectivity	
DIMENSIONS: mm [INCHES]		CHK	8-23-91		
TOLERANCES UNLESS OTHERWISE SPECIFIED:		APVD	8-26-91		
0 PLC ± - 1 PLC ± - 2 PLC ± - 3 PLC ± - 4 PLC ± - ANGLES ± - FINISH ± -		NAME			
		M. MILLER PRODUCT SPEC 108-1349 APPLICATION SPEC 114-6044		CONTACT, DUAL BEAM, 10-12 AWG, WTB, AMPINNERGY TM	
MATERIAL	2	WEIGHT	-	SIZE	A2
CUSTOMER DRAWING		CAGE CODE	00779	DRAWING NO	C=556880
		SCALE	4:1	SHEET	1 of 1
		REV	C1	RESTRICTED TO	