



Chipsmall Limited consists of a professional team with an average of over 10 year of expertise in the distribution of electronic components. Based in Hongkong, we have already established firm and mutual-benefit business relationships with customers from,Europe,America and south Asia,supplying obsolete and hard-to-find components to meet their specific needs.

With the principle of “Quality Parts,Customers Priority,Honest Operation,and Considerate Service”,our business mainly focus on the distribution of electronic components. Line cards we deal with include Microchip,ALPS,ROHM,Xilinx,Pulse,ON,Everlight and Freescale. Main products comprise IC,Modules,Potentiometer,IC Socket,Relay,Connector.Our parts cover such applications as commercial,industrial, and automotives areas.

We are looking forward to setting up business relationship with you and hope to provide you with the best service and solution. Let us make a better world for our industry!



Contact us

Tel: +86-755-8981 8866 Fax: +86-755-8427 6832

Email & Skype: info@chipsmall.com Web: www.chipsmall.com

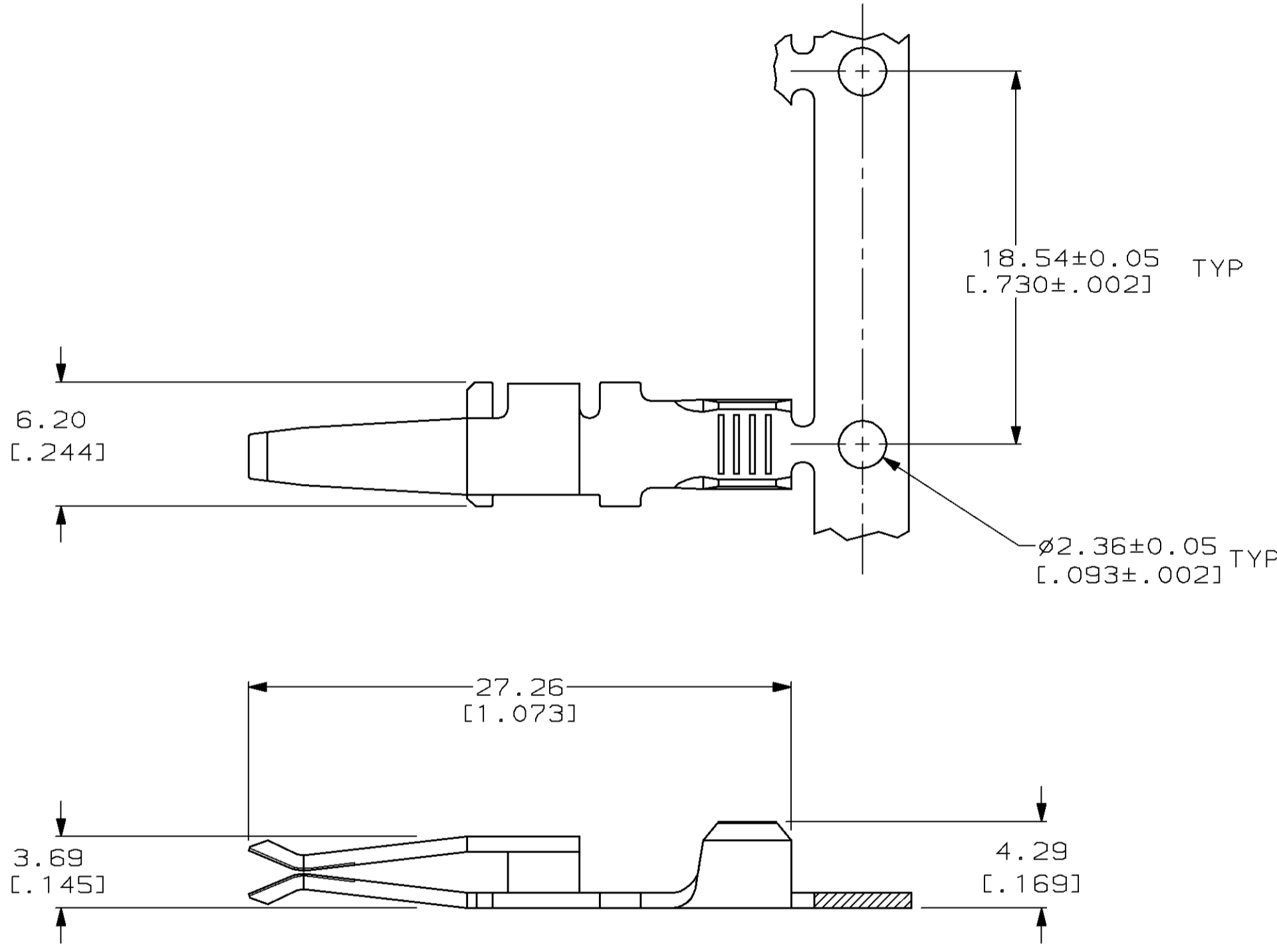
Address: A1208, Overseas Decoration Building, #122 Zhenhua RD., Futian, Shenzhen, China



THIS DRAWING IS UNPUBLISHED. RELEASED FOR PUBLICATION
 BY AMP INCORPORATED. ALL RIGHTS RESERVED.

Loc		DIST		REVISIONS			
P	LTR	DESCRIPTION	DATE	DWN	APVD		
	C	REV; EC 0210-0674-95	10-25-95	LM/UTA			
	D	REV PER EC 0320-68-97	06 MAR 97	MB	MM		
	E	REV PER EC 061C-95-98	14 JUL 98	CO	MC		

- 1. ALL DIMENSIONS SHOWN ARE MAXIMUM UNLESS OTHERWISE SPECIFIED.
- 2. MATERIAL: 2.54µm [0.000100] MINIMUM TIN PLATED COPPER ALLOY 0.74-0.79 [0.030±.001] THICK.
- 3. WIRE BARREL ACCEPTS ONE 14, 16 OR 18 AWG STRANDED COPPER WIRE.
- 4. CONTACTS ON REEL SHALL BE CRIMPED USING APPLICATOR TOOL PN 567403.
- 5. LOOSE PIECE CONTACTS SHALL BE CRIMPED USING TOOLS AND DIE SETS LISTED BELOW.
 HAND TOOL: AMP PART NO. 69710
 PNEUMATIC TOOL: AMP PART NO. 69365
 DIE SET 14 AWG: AMP PART NO. 58492-1
 DIE SET 16-18 AWG: AMP PART NO. 58493-1



REEL 4	556883-2
LOOSE PIECE 5	556883-1
DESCRIPTION	PART NO

<small>THIS DRAWING IS A CONTROLLED DOCUMENT FOR AMP INCORPORATED. IT IS SUBJECT TO CHANGE AND THE CONTROLLING ENGINEERING ORGANIZATION SHOULD BE CONTACTED FOR THE LATEST REVISION.</small>		DWN 5-29-91 D. STRAUSSER		AMP AMP Incorporated Harrisburg, PA 17105-3608	
DIMENSIONS: mm [INCHES]		TOLERANCES UNLESS OTHERWISE SPECIFIED: 0 PLC ± 1 PLC ± 2 PLC ± 3 PLC ± 4 PLC ± ANGLES ± FINISH ±		NAME M. MILLER PRODUCT SPEC 108-1349 APPLICATION SPEC 114-6044 WEIGHT -	
MATERIAL 2		FINISH 2		SIZE A2 CAGE CODE 00779 DRAWING NO C-556883	
CUSTOMER DRAWING				SCALE 4:1 SHEET 1 OF 1 REV E	

556883