



Chipsmall Limited consists of a professional team with an average of over 10 year of expertise in the distribution of electronic components. Based in Hongkong, we have already established firm and mutual-benefit business relationships with customers from,Europe,America and south Asia,supplying obsolete and hard-to-find components to meet their specific needs.

With the principle of “Quality Parts,Customers Priority,Honest Operation,and Considerate Service”,our business mainly focus on the distribution of electronic components. Line cards we deal with include Microchip,ALPS,ROHM,Xilinx,Pulse,ON,Everlight and Freescale. Main products comprise IC,Modules,Potentiometer,IC Socket,Relay,Connector.Our parts cover such applications as commercial,industrial, and automotives areas.

We are looking forward to setting up business relationship with you and hope to provide you with the best service and solution. Let us make a better world for our industry!



Contact us

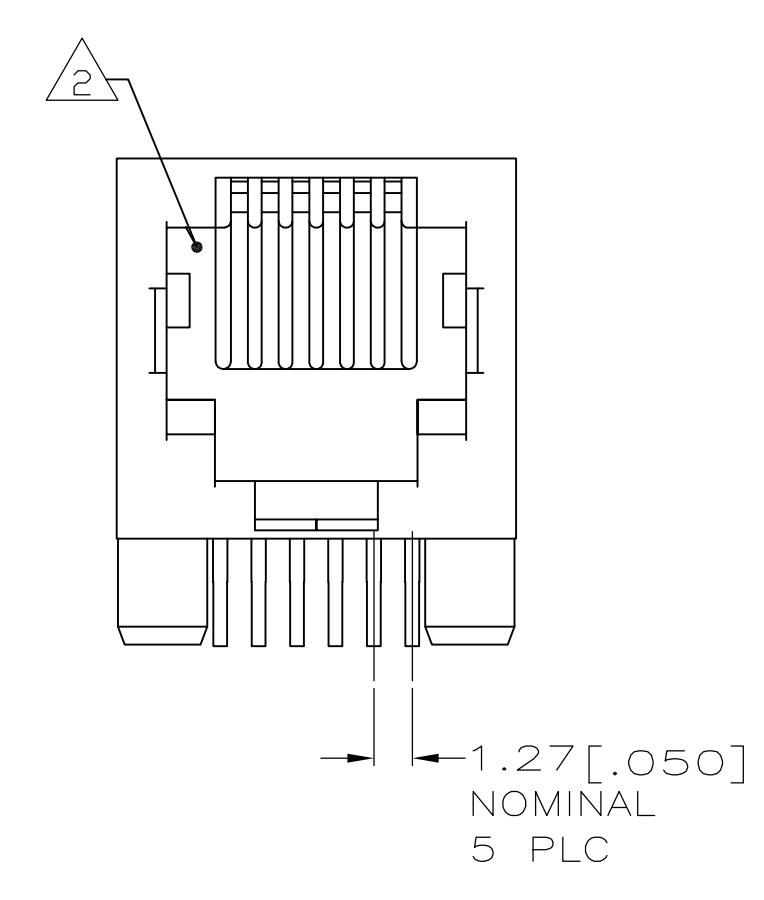
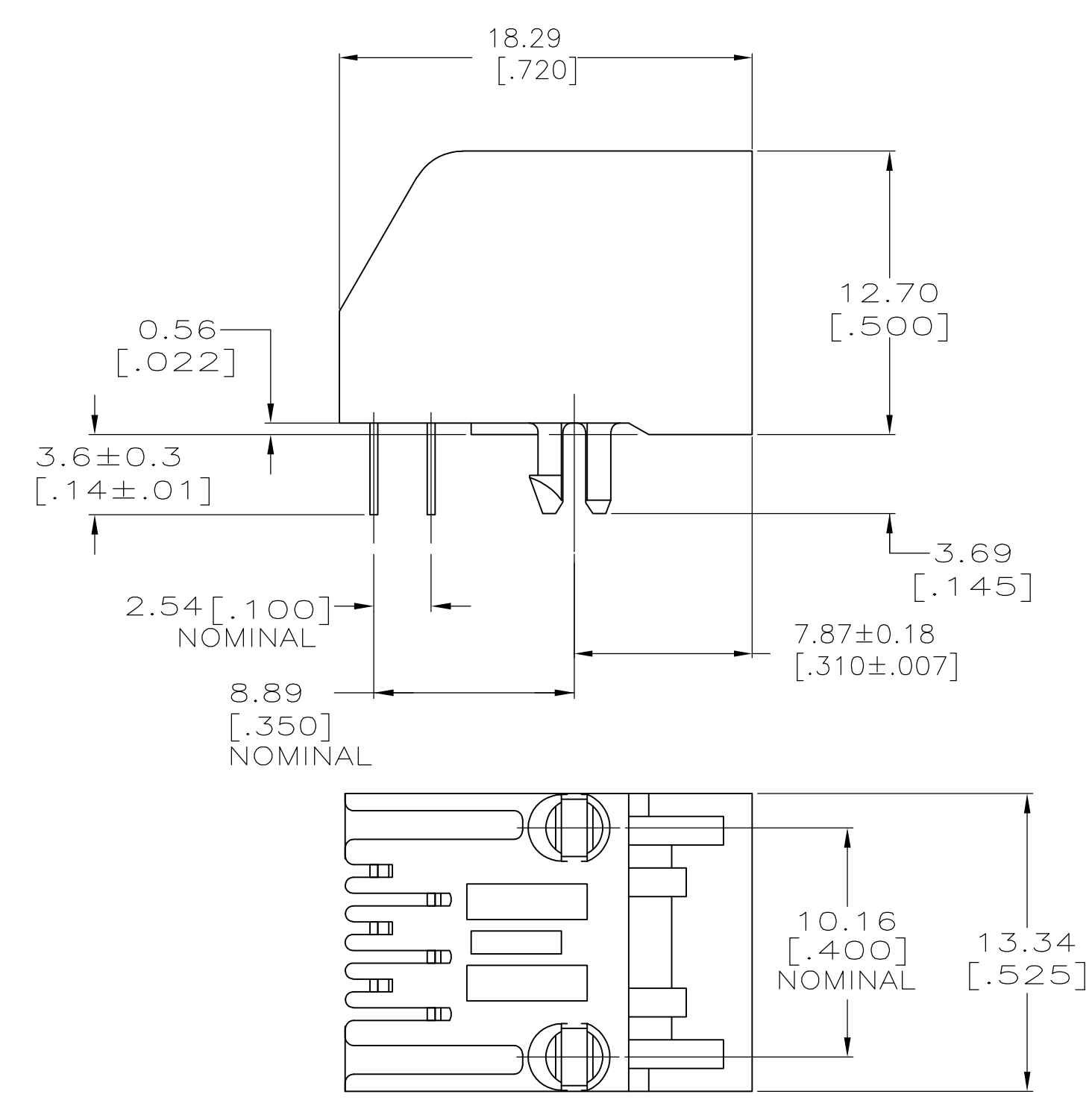
Tel: +86-755-8981 8866 Fax: +86-755-8427 6832

Email & Skype: info@chipsmall.com Web: www.chipsmall.com

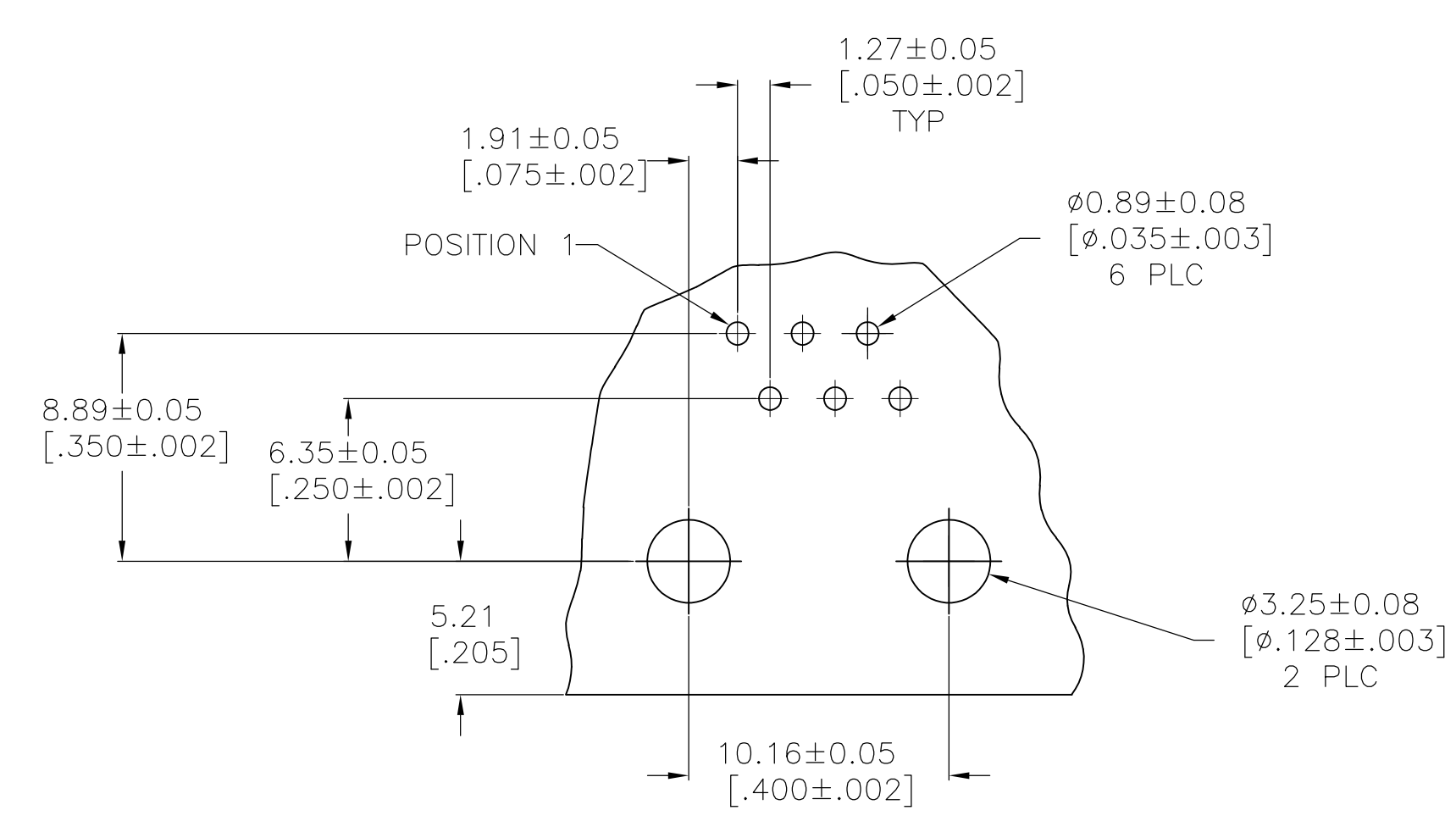
Address: A1208, Overseas Decoration Building, #122 Zhenhua RD., Futian, Shenzhen, China



LOC		DIST		REVISIONS			
P	LTR	DESCRIPTION	DATE	DMN	APVD		
B		ECO-07-019669	27AUG2007	LAM	PR		



- MATERIAL: HOUSING - HTN MOLDING COMPOUND, 94V-0 RATED, COLOR: BLACK
 TERMINAL - 0.36 [.014] THICK PHOSPHOROUS-BRONZE PLATED WITH 1.27 μm [.000050] MINIMUM THICK GOLD IN LOCALIZED GOLD PLATE AREA AND 3.81 μm [.000150] MINIMUM THICK MATTE TIN IN SOLDER AREA OVER 1.27 μm [.000050] MINIMUM THICK NICKEL UNDERPLATE.
- JACK CAVITY CONFORMS TO FCC RULES AND REGULATIONS PART 68, SUBPART F.
- DIMENSIONS ARE MAXIMUM UNLESS OTHERWISE SPECIFIED.
- BULK PACKAGED IN A TRAY.



RECOMMENDED PRINTED CIRCUIT BOARD COMPONENT SIDE

4	5569026-1
PACKAGED	PART NO

THIS DRAWING IS A CONTROLLED DOCUMENT.		DIN 10JUN2005 A. FERNANDEZ-DOCKS		Tyco Electronics Corporation Harrisburg, PA 17105-3608	
DIMENSIONS: mm [INCHES]		TOLERANCES UNLESS OTHERWISE SPECIFIED:		APVD S. FLICKINGER 10JUN2005	
0 PLC ± -		1 PLC ± -		NAME: MODULAR JACK ASSEMBLY, 6 POSITION, LOW PROFILE, RIGHT ANGLE	
1 PLC ± -		2 PLC ± -		PRODUCT SPEC: 108-1163	
2 PLC ± -		3 PLC ± -		APPLICATION SPEC: 114-2048	
3 PLC ± -		4 PLC ± -		SIZE: A1	
4 PLC ± -		ANGLES ± -		CAGE CODE: 00779	
MATERIAL: SEE NOTE 1		FINISH: SEE NOTE 1		DRAWING NO: 5569026	
		WEIGHT: -		RESTRICTED TO: -	
		CUSTOMER DRAWING		SCALE: 4:1	
				SHEET 1 OF 1	
				REV B	