



Chipsmall Limited consists of a professional team with an average of over 10 year of expertise in the distribution of electronic components. Based in Hongkong, we have already established firm and mutual-benefit business relationships with customers from,Europe,America and south Asia,supplying obsolete and hard-to-find components to meet their specific needs.

With the principle of “Quality Parts,Customers Priority,Honest Operation,and Considerate Service”,our business mainly focus on the distribution of electronic components. Line cards we deal with include Microchip,ALPS,ROHM,Xilinx,Pulse,ON,Everlight and Freescale. Main products comprise IC,Modules,Potentiometer,IC Socket,Relay,Connector.Our parts cover such applications as commercial,industrial, and automotives areas.

We are looking forward to setting up business relationship with you and hope to provide you with the best service and solution. Let us make a better world for our industry!



Contact us

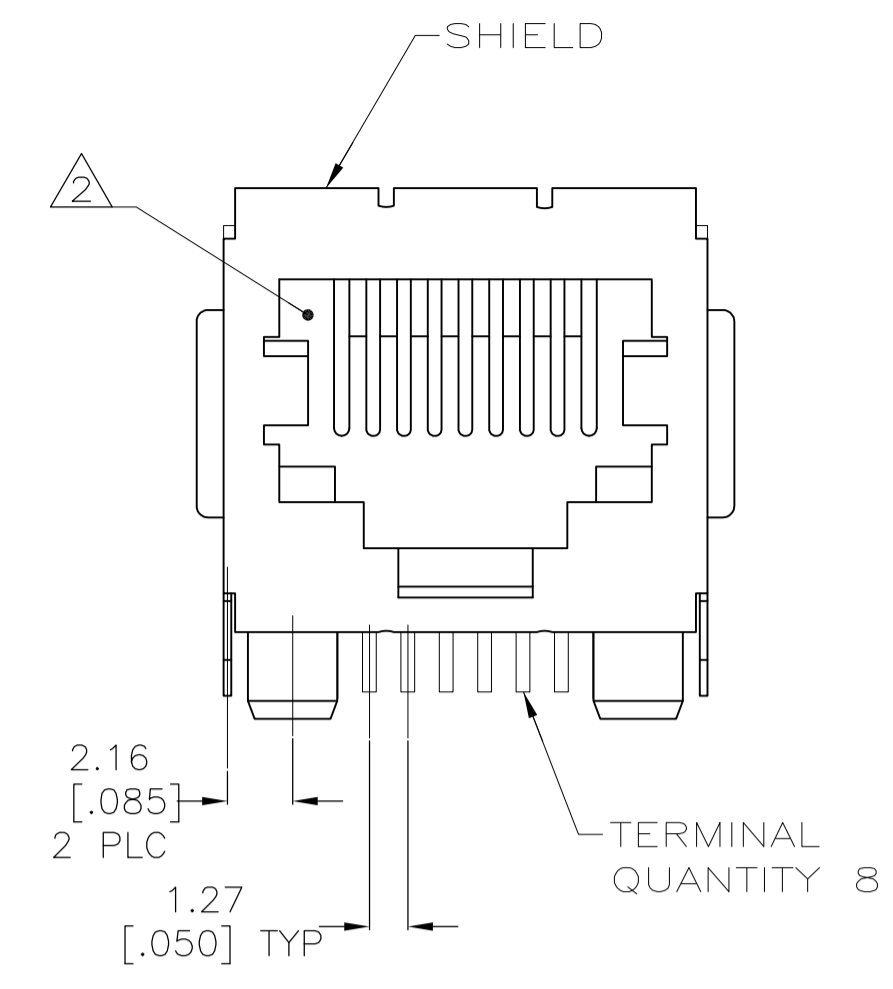
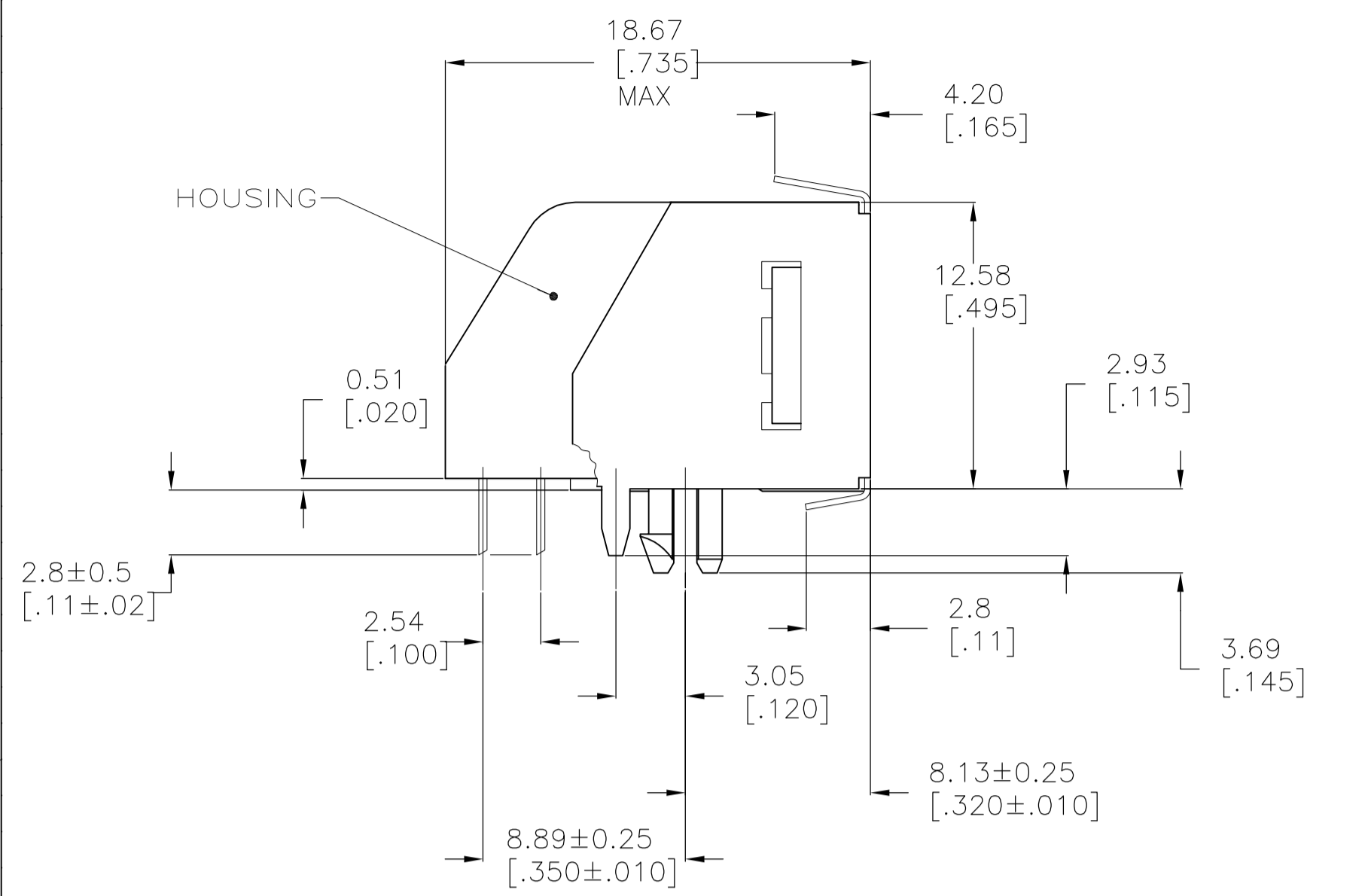
Tel: +86-755-8981 8866 Fax: +86-755-8427 6832

Email & Skype: info@chipsmall.com Web: www.chipsmall.com

Address: A1208, Overseas Decoration Building, #122 Zhenhua RD., Futian, Shenzhen, China

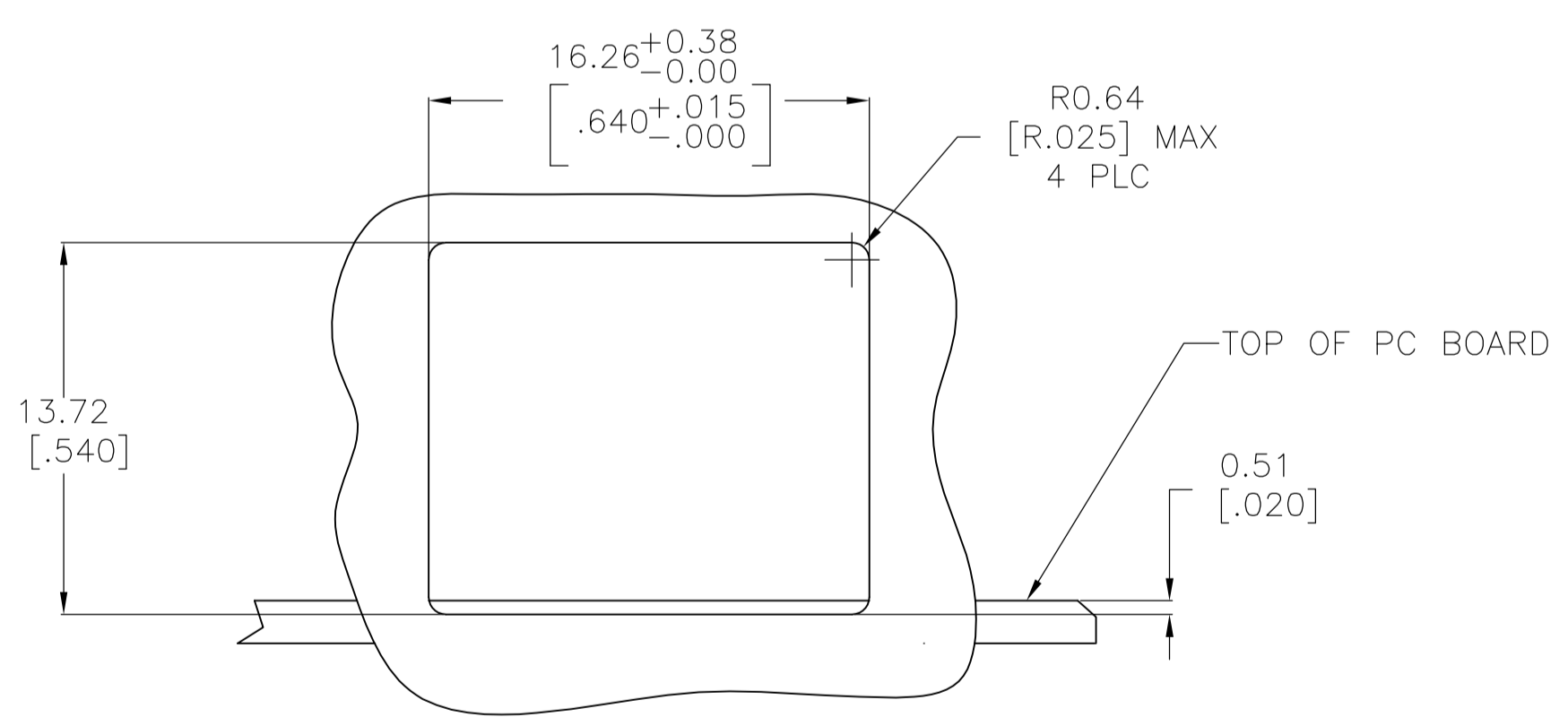
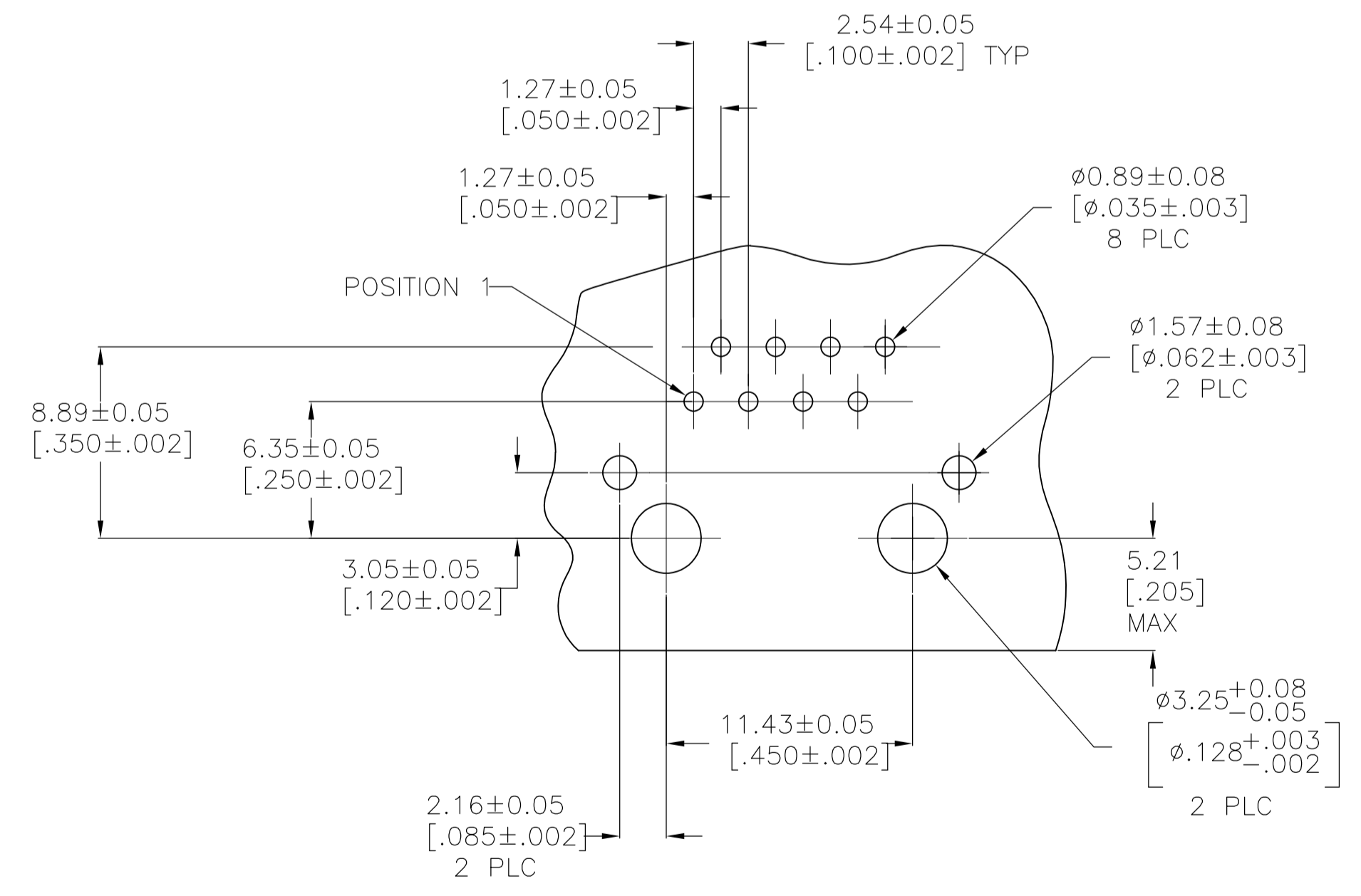
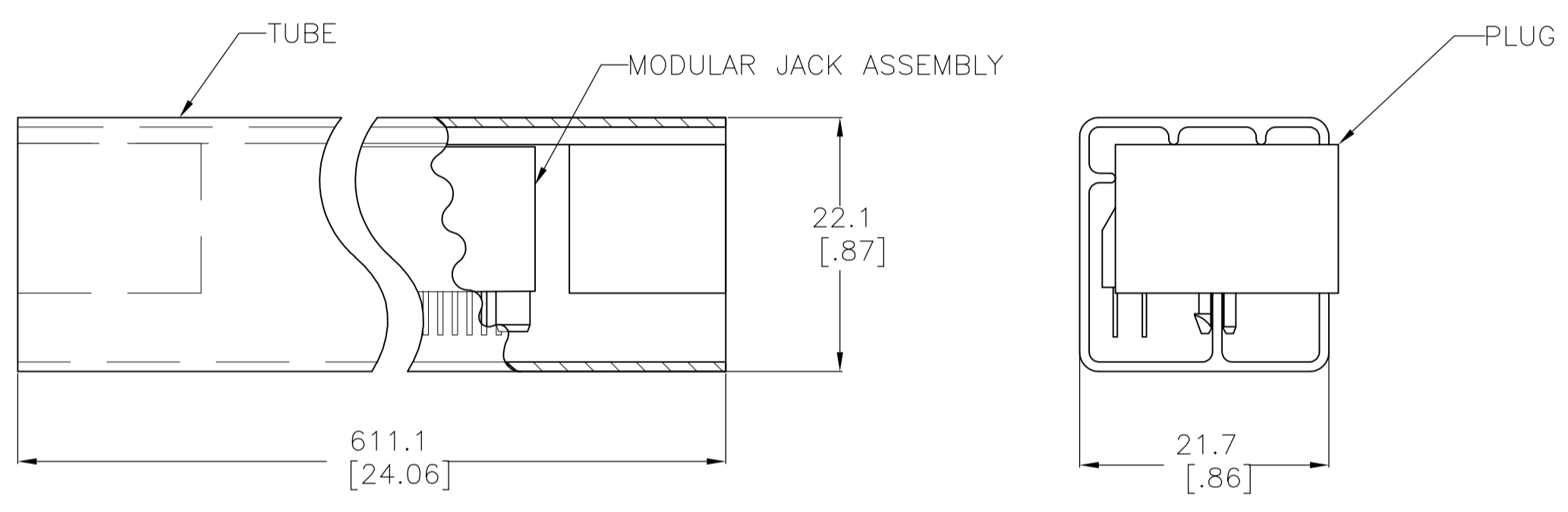
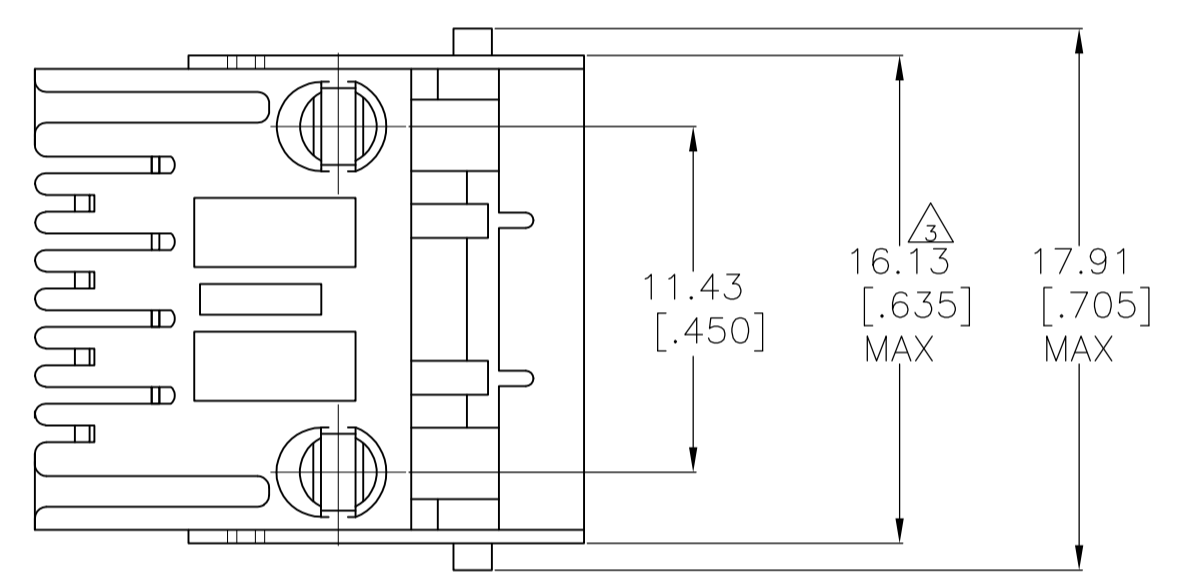


LOC		DIST		REVISIONS			
F	LTR	DESCRIPTION	DATE	DWN	APVD		
B		ECO-07-026027	12NOV07	LAM	PR		



- MATERIAL:
 HOUSING - HTN NYLON MOLDING COMPOUND, 94 VO, COLOR: BLACK
 TERMINAL - 0.36[.014] THICK PHOS-BRONZE
 PLATED WITH 1.27μm[.000050] MINIMUM THICK HARD GOLD IN LOCALIZED GOLD PLATE AREA AND 3.81μm[.000150] MINIMUM THICK MATTE TIN IN SOLDER AREA OVER 1.27μm[.000050] THICK MINIMUM NICKEL UNDERPLATE.
 SHIELD - 0.25[.010] THICK COPPER ALLOY PLATED WITH 3.0μm[.000120] MINIMUM REFLOWED TIN

- CAVITY CONFORMS TO FCC RULES AND REGULATIONS, PART 68, SUBPART F
- DIMENSION MEASURED ALONG FRONT EDGES OF MATING FACE
- PACKAGED 31 ASSEMBLIES PER TUBE WITH BOTH ENDS PLUGGED (SEE DETAIL A)



RECOMMENDED PRINTED CIRCUIT BOARD LAYOUT (COMPONENT SIDE)

RECOMMENDED PANEL CUTOUT

5569115-1
PART NUMBER

THIS DRAWING IS A CONTROLLED DOCUMENT.		DIN L.A.MAYER 04APR2005	Tyco Electronics Corporation Harrisburg, PA 17105-3608	
DIMENSIONS: mm [INCHES]		CHK J.WESTMAN 04APR05	NAME S.FLICKINGER 04APR05	
TOLERANCES UNLESS OTHERWISE SPECIFIED:		PRODUCT SPEC 108-1163		
0 PLC ± -		APPLICATION SPEC 114-2048		
1 PLC ± -		SIZE A1		
2 PLC ± ± 0.13[.005]		CAGE CODE 00779		
3 PLC ± ± -		DRAWING NO 5569115		
4 PLC ± ± -		RESTRICTED TO		
ANGLES ± ± -		CUSTOMER DRAWING		
MATERIAL SEE NOTE 1		FINISH SEE NOTE 1		SCALE 4:1 SHEET 1 OF 1 REV B