



Chipsmall Limited consists of a professional team with an average of over 10 year of expertise in the distribution of electronic components. Based in Hongkong, we have already established firm and mutual-benefit business relationships with customers from,Europe,America and south Asia,supplying obsolete and hard-to-find components to meet their specific needs.

With the principle of “Quality Parts,Customers Priority,Honest Operation,and Considerate Service”,our business mainly focus on the distribution of electronic components. Line cards we deal with include Microchip,ALPS,ROHM,Xilinx,Pulse,ON,Everlight and Freescale. Main products comprise IC,Modules,Potentiometer,IC Socket,Relay,Connector.Our parts cover such applications as commercial,industrial, and automotives areas.

We are looking forward to setting up business relationship with you and hope to provide you with the best service and solution. Let us make a better world for our industry!



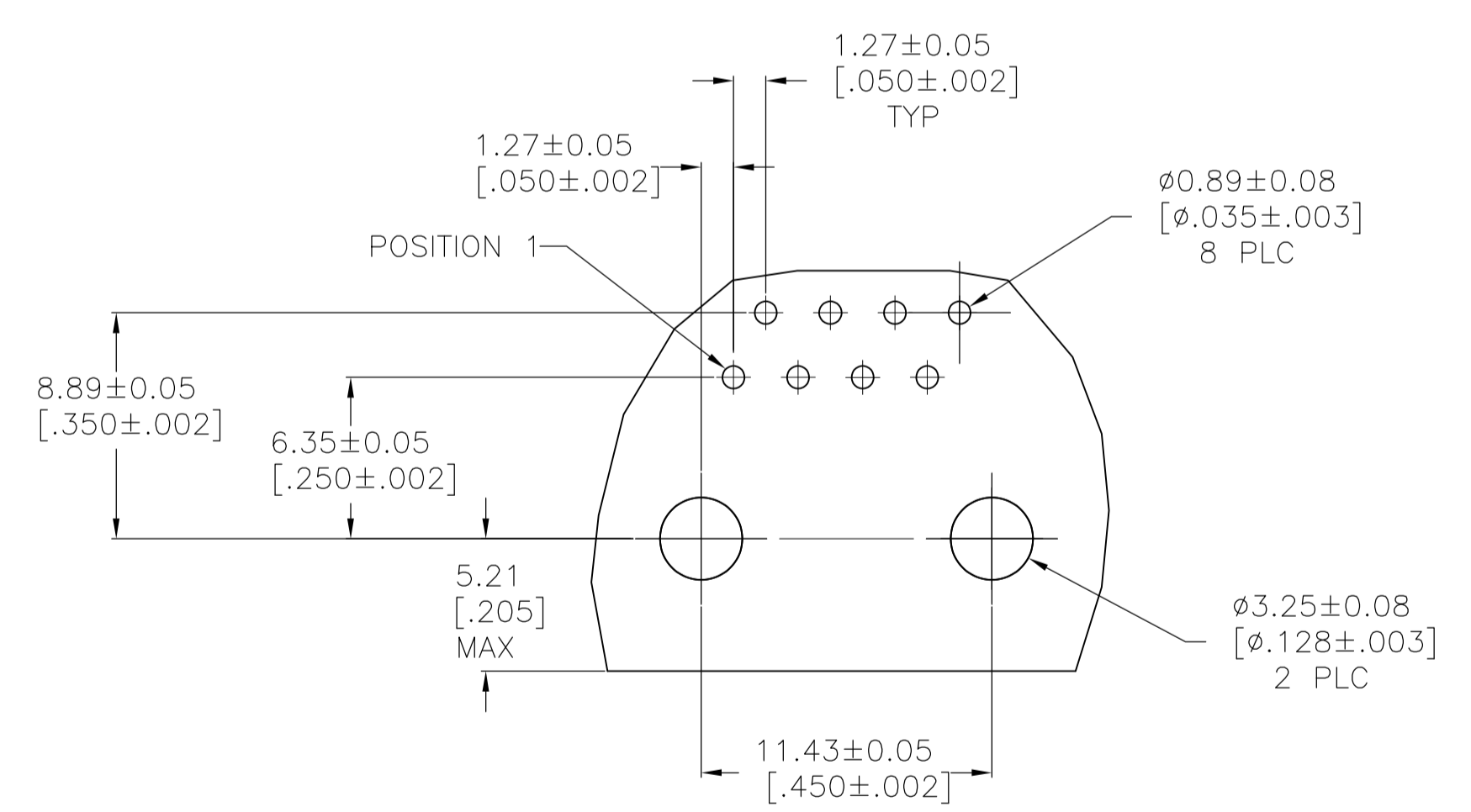
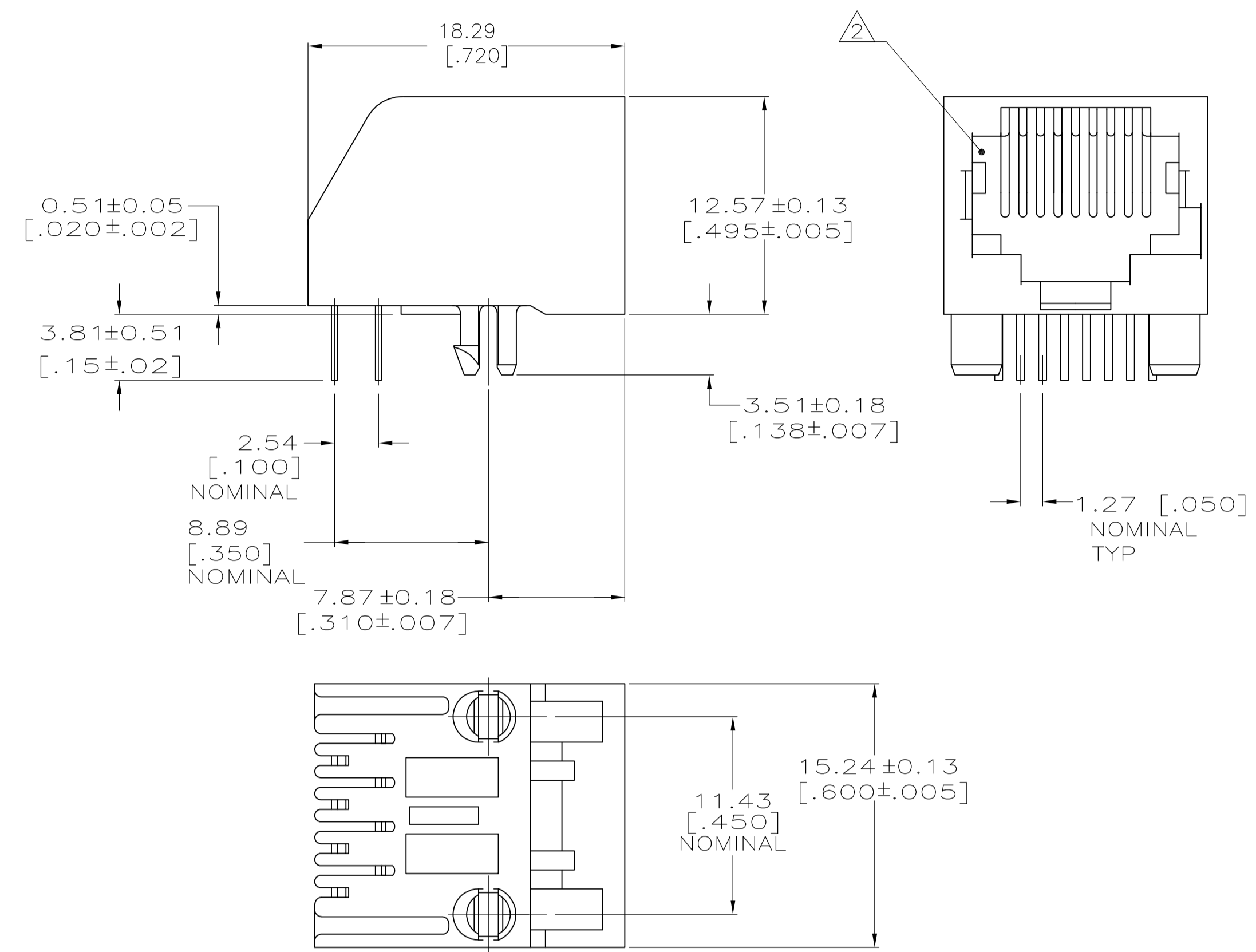
Contact us

Tel: +86-755-8981 8866 Fax: +86-755-8427 6832

Email & Skype: info@chipsmall.com Web: www.chipsmall.com

Address: A1208, Overseas Decoration Building, #122 Zhenhua RD., Futian, Shenzhen, China





RECOMMENDED PRINTED
 CIRCUIT BOARD LAYOUT
 COMPONENT SIDE

- MATERIAL: HOUSING – HTN MOLDING COMPOUND, UL 94V-0, COLOR: BLACK
 TERMINAL – 0.36 [.014] THICK PHOS BRONZE PLATED WITH 1.27 μm [.000050] MINIMUM THICK HARD GOLD IN LOCALIZED GOLD PLATE AREA AND 3.81 μm [.000150] MINIMUM THICK MATTE TIN IN SOLDER AREA OVER 1.27 μm [.000050] MINIMUM THICK NICKEL UNDERPLATE.
- CAVITY CONFORMS TO FCC RULES AND REGULATIONS PART 68, SUBPART F.
- BULK PACKAGED IN A TRAY

5569118-1
 PART NUMBER

THIS DRAWING IS A CONTROLLED DOCUMENT.		DIN A. FERNANDEZ-DOCKS 10JUN2005	Tyco Electronics Corporation Harrisburg, PA 17105-3608	
DIMENSIONS: mm [INCHES]		CHK J. WESTMAN 10JUN2005	Tyco Electronics	
TOLERANCES UNLESS OTHERWISE SPECIFIED:		APVD S. FLICKINGER 10JUN2005	NAME MODULAR JACK ASSEMBLY, 8 POSITION, LOW PROFILE, RIGHT ANGLE, KEYED WITHOUT PANEL STOPS	
0 PLC ± -		PRODUCT SPEC 108-1163		
1 PLC ± -		APPLICATION SPEC 114-2048		
2 PLC ± -		SIZE A1	CAGE CODE 00779	DRAWING NO 5569118
3 PLC ± 0.13		RESTRICTED TO		
4 PLC ± -		CUSTOMER DRAWING		
ANGLES ± ± -		SCALE 4:1	SHEET 1 of 1	REV B