



Chipsmall Limited consists of a professional team with an average of over 10 year of expertise in the distribution of electronic components. Based in Hongkong, we have already established firm and mutual-benefit business relationships with customers from,Europe,America and south Asia,supplying obsolete and hard-to-find components to meet their specific needs.

With the principle of “Quality Parts,Customers Priority,Honest Operation,and Considerate Service”,our business mainly focus on the distribution of electronic components. Line cards we deal with include Microchip,ALPS,ROHM,Xilinx,Pulse,ON,Everlight and Freescale. Main products comprise IC,Modules,Potentiometer,IC Socket,Relay,Connector.Our parts cover such applications as commercial,industrial, and automotives areas.

We are looking forward to setting up business relationship with you and hope to provide you with the best service and solution. Let us make a better world for our industry!



Contact us

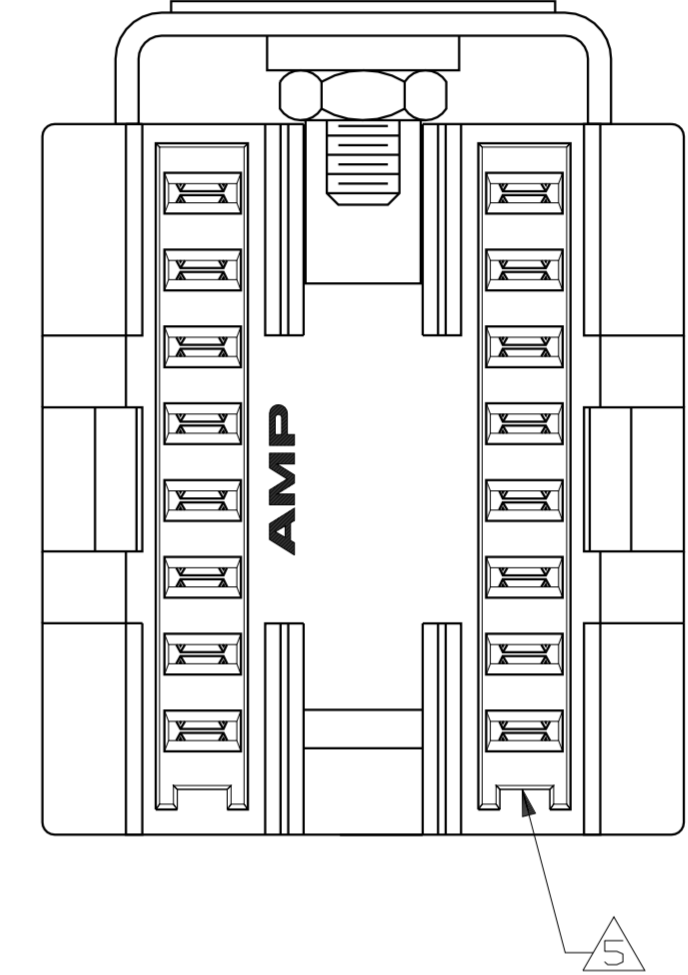
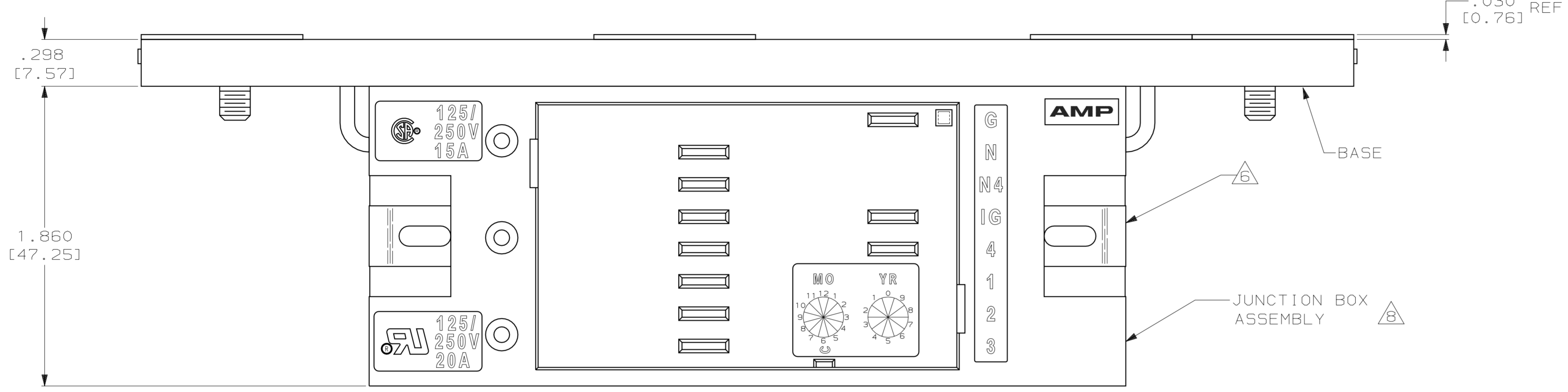
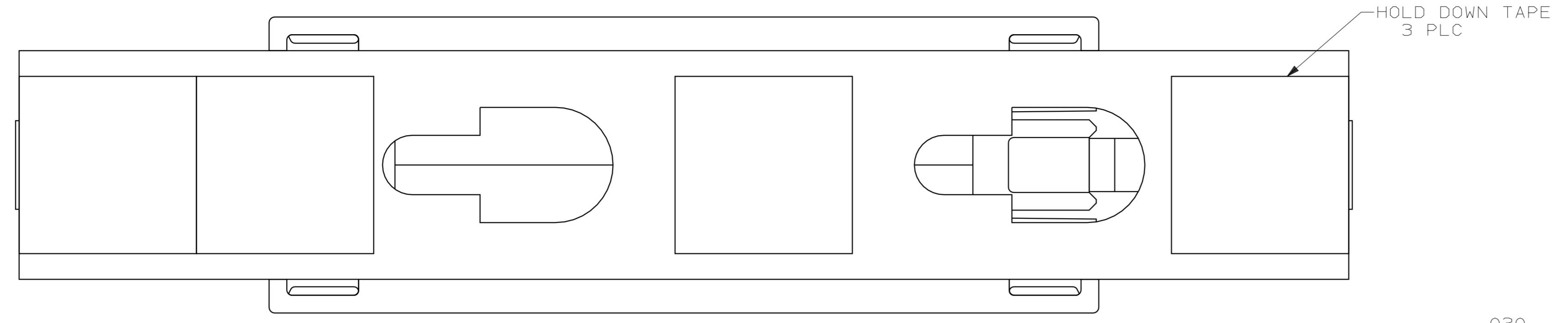
Tel: +86-755-8981 8866 Fax: +86-755-8427 6832

Email & Skype: info@chipsmall.com Web: www.chipsmall.com

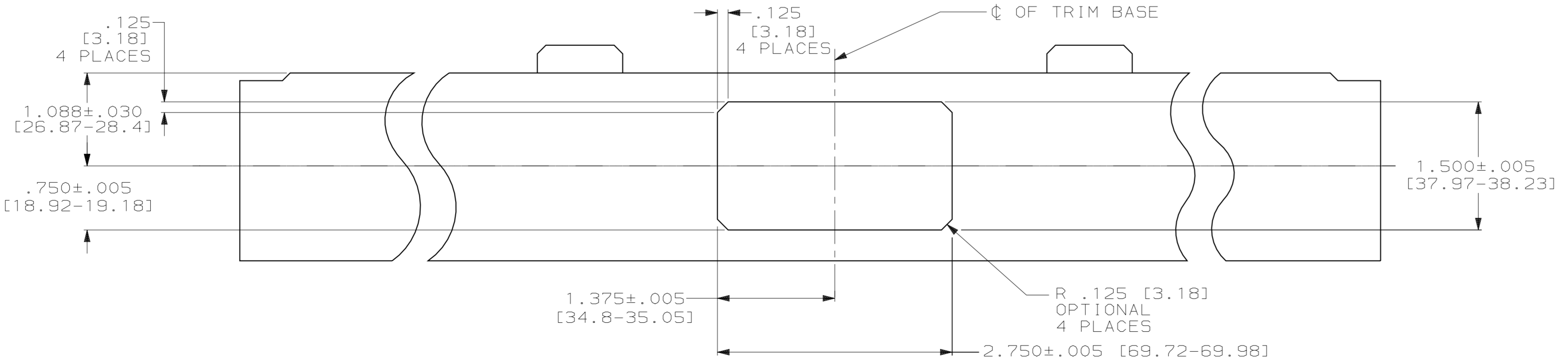
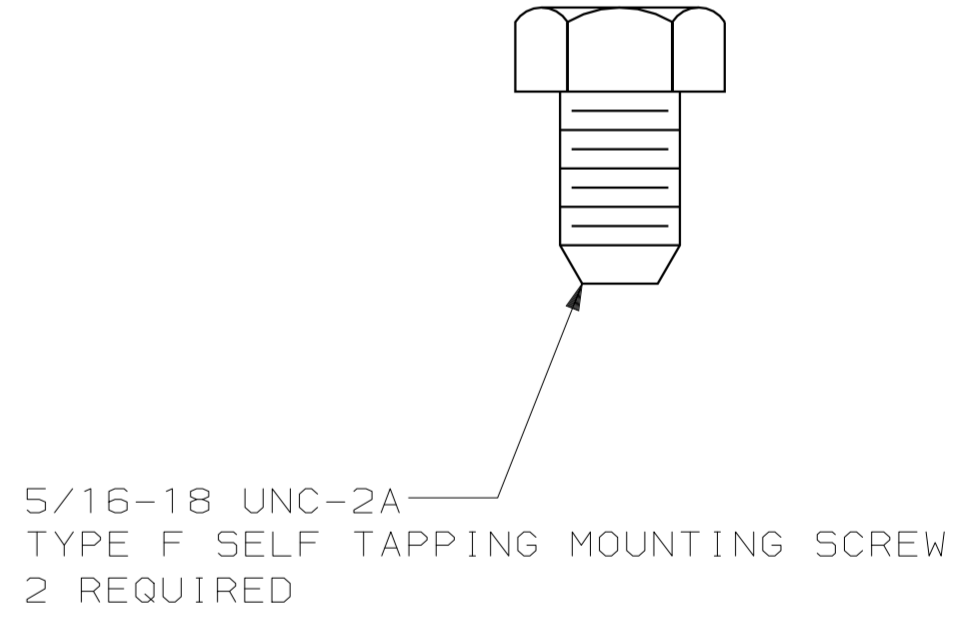
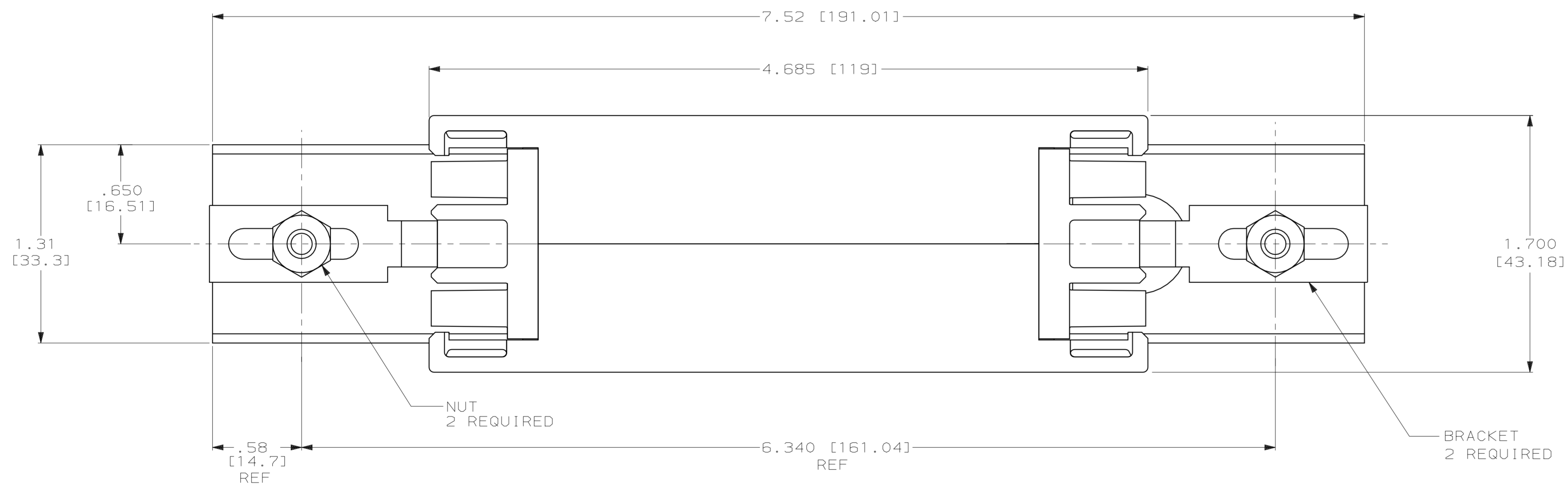
Address: A1208, Overseas Decoration Building, #122 Zhenhua RD., Futian, Shenzhen, China



LOC		DIST		P		F		ZONE		LTR		REVISIONS			
AA	27											DESCRIPTION	DATE	APPD	
												A	RLSD; NPR C90-315	1-24-91	V5



- 1. ALL DIMENSIONS SHOWN ARE MAXIMUM UNLESS OTHERWISE SPECIFIED.
- 2. DIMENSIONS SHOWN IN BRACKETS [] ARE IN MILLIMETERS.
- 3. MATERIAL: JUNCTION BOX HOUSING - POLYCARBONATE, 94V-0, BLACK. BASE & BRACKET - CARBON STEEL, ZINC PLATED .32 OZ PER SQUARE FOOT MINIMUM THICKNESS. JUNCTION BOX TERMINALS - COPPER ALLOY SELECTIVE TIN PLATED μ .000200 [5.08 m] MINIMUM THICK AND SELECTIVE SILVER PLATED .000200 [5.08 m] MINIMUM THICK. SCREWS AND NUTS - ZINC PLATED CARBON STEEL. HOLD DOWN TAPE - .030 THICK FOAM TAPE WITH ADHESIVE BOTH SIDES.
- 4. THIS KIT SHOWN ASSEMBLED BUT IS SHIPPED LOOSE.
- 5. KEYING FEATURE FOR POSITIVE MATING.
- 6. POSITIVE LATCHING TO POWER CONNECTOR.
- 7. 125/250V, 20A RATING FOR Φ .
- 8. THIS DRAWING SHOWS A JUNCTION BOX ASSEMBLY INCLUDED WITH THIS KIT, BUT THE JUNCTION BOX SHALL BE ORDERED SEPARATELY. ONE JUNCTION BOX ASSEMBLY 5-WIRE, PN 556887-1, OR ONE JUNCTION BOX ASSEMBLY 8-WIRE, PN 556888-1, REQUIRED WITH EACH BRACKET/HARDWARE KIT.



SUGGESTED CUTOUT DIMENSIONS FOR STEELCASE 9000 TRIM BASE
 SCALE 1:1

CAD DRAWINGS
 THIS DRAWING WAS CREATED ON A COMPUTER AIDED DESIGN (CAD) SYSTEM. TO INSURE THE INTEGRITY OF THE DATA BASE ALL CHANGES/REVISIONS MUST BE MADE ON THE CAD SYSTEM.

DO NOT SCALE PRINT. UNLESS SPECIFIED DIMENSIONS IN INCHES [mm]		DR 1-24-91 VIC SLACK		556920-1 PART NO	
TOLERANCES ON:		CHK		AMP Incorporated Harrisburg, PA 17105-3608	
2 PLC DEC ± Δ		APPD		NAME	
3 PLC DEC ± Δ		APPD		HARDWARE KIT, UNIVERSAL RACEWAY MOUNT	
ANGLES ± Δ		APPD		SIZE	
MATERIAL		PRODUCT SPEC		CAGE CODE	
FINISH		APPLICATION SPEC		DRAWING NO	
WEIGHT		SCALE		00779	
		2:1		556920	
				SHEET 1 OF 1	