



Chipsmall Limited consists of a professional team with an average of over 10 year of expertise in the distribution of electronic components. Based in Hongkong, we have already established firm and mutual-benefit business relationships with customers from,Europe,America and south Asia,supplying obsolete and hard-to-find components to meet their specific needs.

With the principle of “Quality Parts,Customers Priority,Honest Operation,and Considerate Service”,our business mainly focus on the distribution of electronic components. Line cards we deal with include Microchip,ALPS,ROHM,Xilinx,Pulse,ON,Everlight and Freescale. Main products comprise IC,Modules,Potentiometer,IC Socket,Relay,Connector.Our parts cover such applications as commercial,industrial, and automotives areas.

We are looking forward to setting up business relationship with you and hope to provide you with the best service and solution. Let us make a better world for our industry!



Contact us

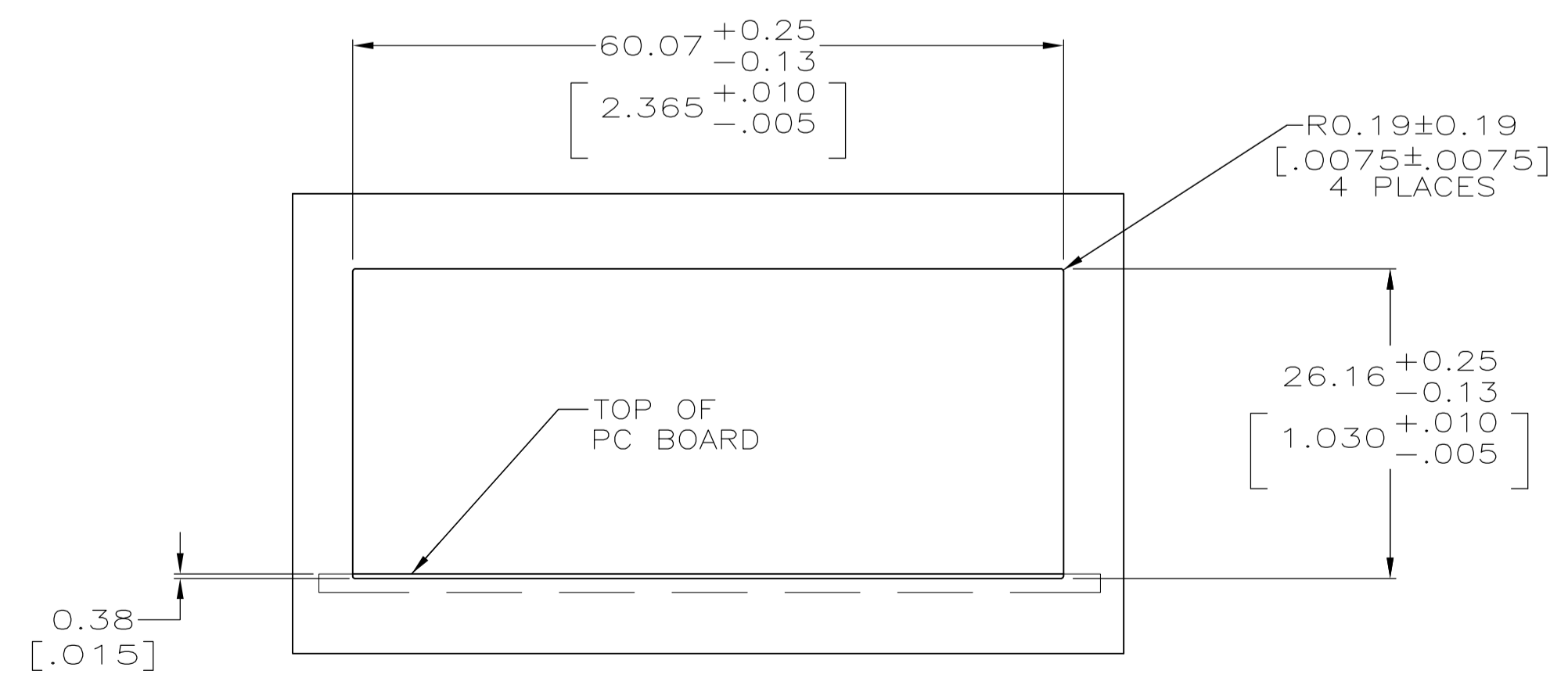
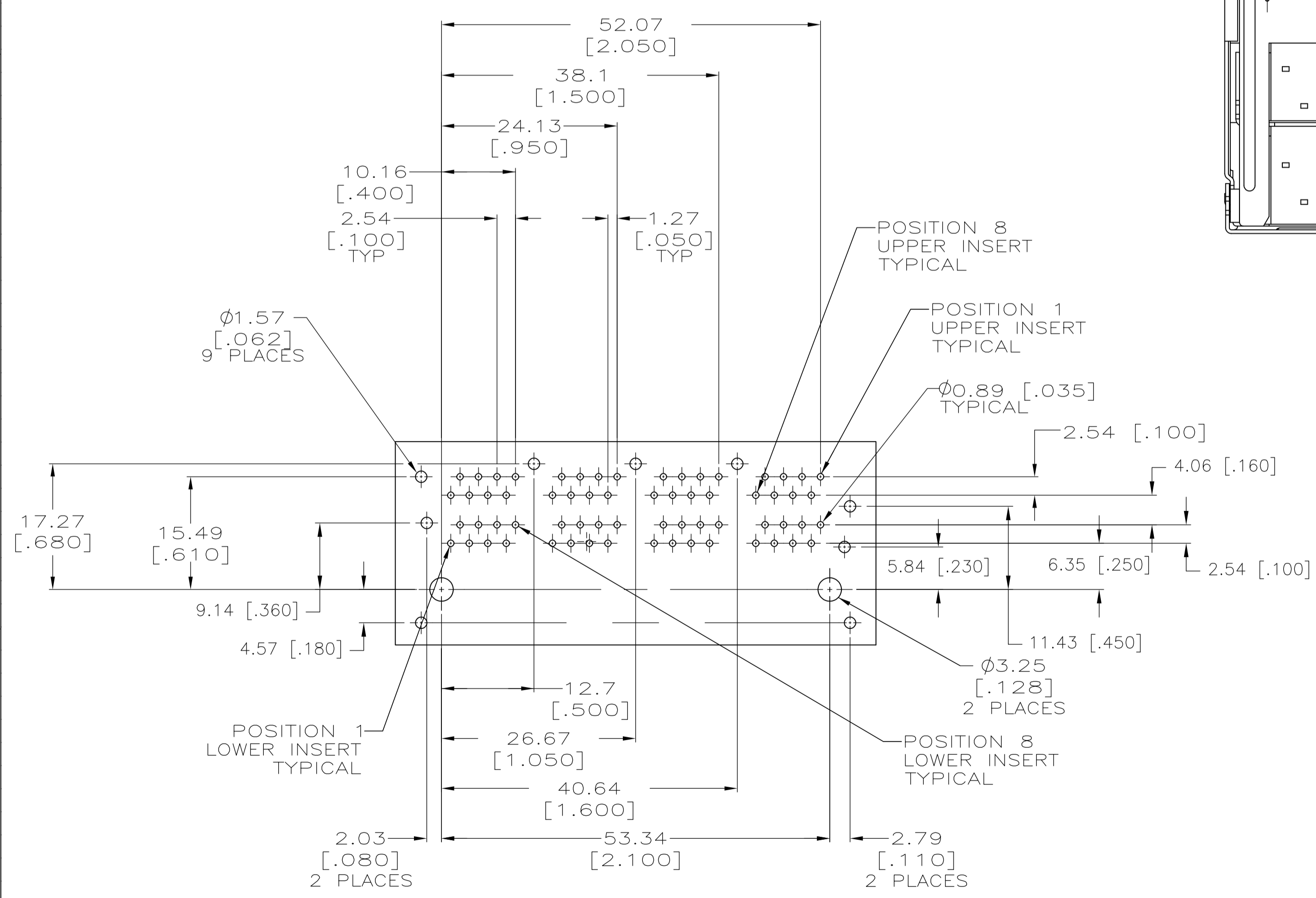
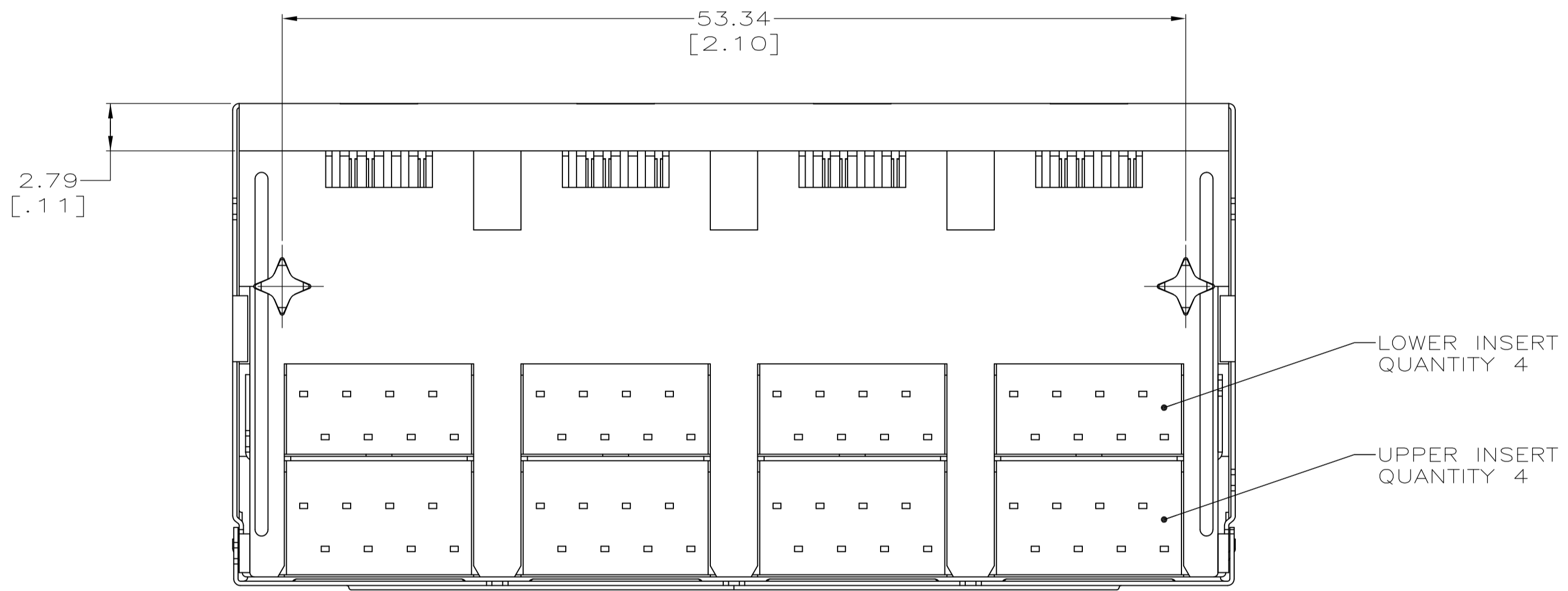
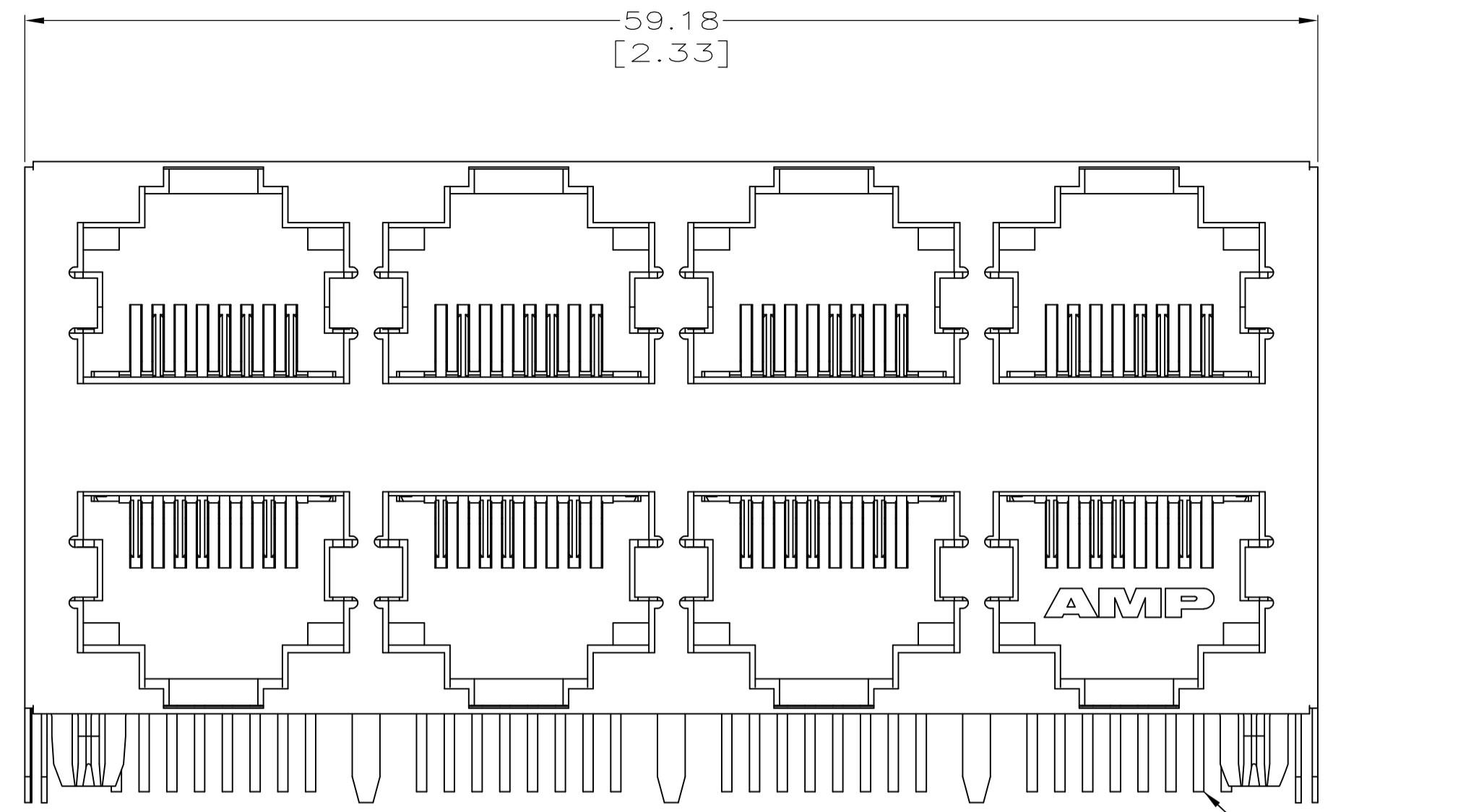
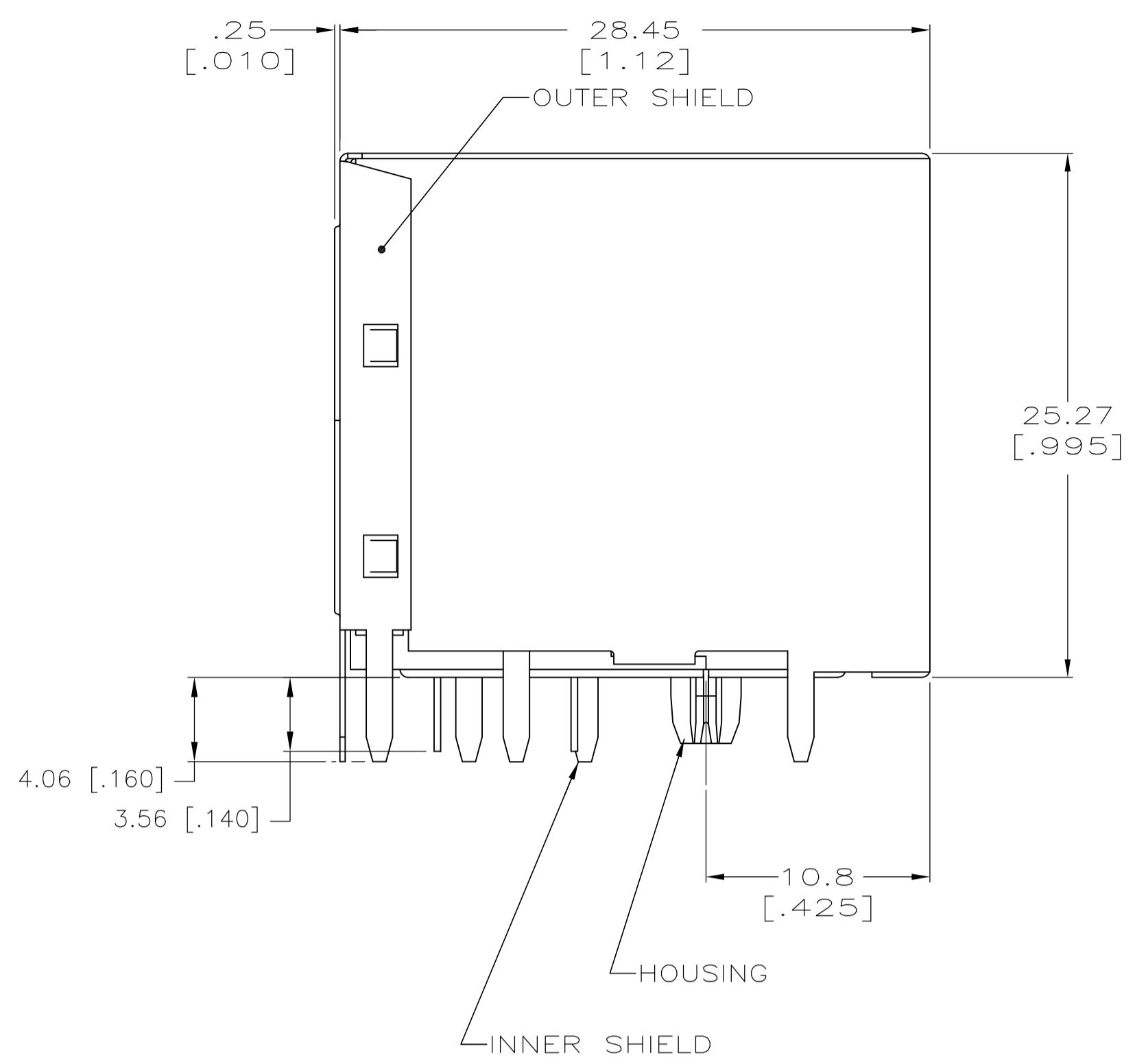
Tel: +86-755-8981 8866 Fax: +86-755-8427 6832

Email & Skype: info@chipsmall.com Web: www.chipsmall.com

Address: A1208, Overseas Decoration Building, #122 Zhenhua RD., Futian, Shenzhen, China



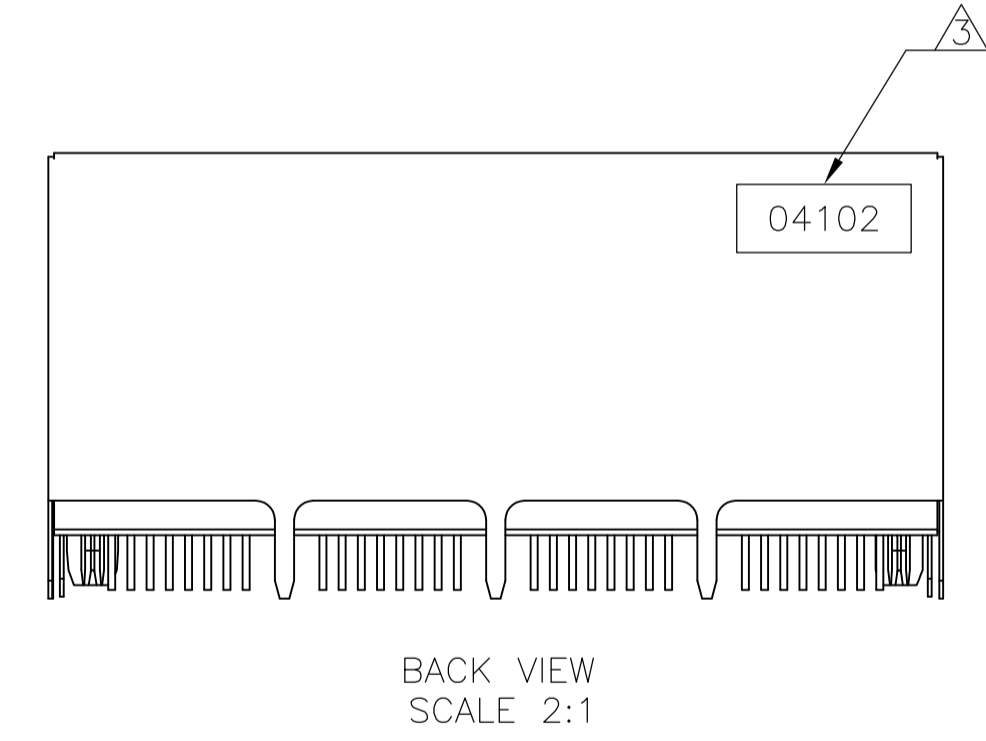
| LOC | | DIST | | REVISIONS | | | |
|-----|----|------|-----|-----------------------|-----------|-----|------|
| AA | 22 | F | LTR | DESCRIPTION | DATE | DWN | APVD |
| | | A1 | | REVISED ECR-08-031628 | 15JUN2005 | AZ | SY |



⚠ MATERIAL:
 HOUSING - PCT POLYESTER, BLACK, UL94V-0.
 OVERMOLDED TERMINAL ARRAY - PBT, BROWN.
 TERMINALS - 0.33 [.013] THICK PHOS BRONZE PLATED WITH 1.27um [.000050] MIN THICK HARD GOLD IN LOCALIZED AREA AND 3.81um [.000150] MIN THICK MATTE TIN IN SOLDER AREA OVER 1.27um [.000050] MIN THICK NICKEL UNDERPLATE.
 SHIELDS - 0.25 [.010] THICK COPPER ALLOY PLATED WITH 1.27 um [.000050] MINIMUM NICKEL AND 2.03 um [.000080] MINIMUM HOT TIN DIP ON PCB GROUND TABS.

⚠ JACK CAVITY CONFORMS TO FCC RULES AND REGULATIONS, PART 68 SUBPART F.

⚠ DATE CODE LOCATED ON REAR OF PART APPROXIMATELY AS SHOWN:
 FIRST 2 DIGITS ARE LAST 2 DIGITS OF YEAR, SECOND 2 DIGITS ARE MANUFACTURING WORK WEEK, LAST DIGIT IS DAY OF WEEK, WITH SUNDAY = 1.



PC BOARD LAYOUT VIEWED FROM COMPONENT SIDE SCALE 2:1

SUGGESTED PANEL CUTOUT DIMENSIONS SCALE 2:1

| | | | | |
|--|--|---|---|--|
| THIS DRAWING IS A CONTROLLED DOCUMENT. | | DWN A. FERNANDEZ-DOCK5 15JUN2005 | Tyco Electronics Corporation Harrisburg, PA 17105-3608 | |
| DIMENSIONS: mm [INCHES] | | CHK J. WESTMAN 04DEC08 | APVD S. FLICKINGER 15JUN2005 | |
| TOLERANCES UNLESS OTHERWISE SPECIFIED: | | NAME STACKED MODULAR JACK ASSEMBLY, 2 X 4 PORT, 8 POSITION, SHIELDED, PRINTED CIRCUIT BOARD GROUND, CATEGORY 5 | | |
| 0 PLC ± - | | PRODUCT SPEC 108-1163-2 | | |
| 1 PLC ± - | | APPLICATION SPEC 114-2048 | | |
| 2 PLC ± 0.25(.01) | | SIZE A1 | | |
| 3 PLC ± 0.13(.005) | | CAGE CODE 00779 | | |
| 4 PLC ± - | | DRAWING NO. 5569257 | | |
| ANGLES ± - | | WEIGHT - | | |
| MATERIAL | | CUSTOMER DRAWING | | |
| FINISH | | SCALE 4:1 SHEET 1 OF 1 REV A1 | | |