



Chipsmall Limited consists of a professional team with an average of over 10 year of expertise in the distribution of electronic components. Based in Hongkong, we have already established firm and mutual-benefit business relationships with customers from,Europe,America and south Asia,supplying obsolete and hard-to-find components to meet their specific needs.

With the principle of “Quality Parts,Customers Priority,Honest Operation,and Considerate Service”,our business mainly focus on the distribution of electronic components. Line cards we deal with include Microchip,ALPS,ROHM,Xilinx,Pulse,ON,Everlight and Freescale. Main products comprise IC,Modules,Potentiometer,IC Socket,Relay,Connector.Our parts cover such applications as commercial,industrial, and automotives areas.

We are looking forward to setting up business relationship with you and hope to provide you with the best service and solution. Let us make a better world for our industry!



Contact us

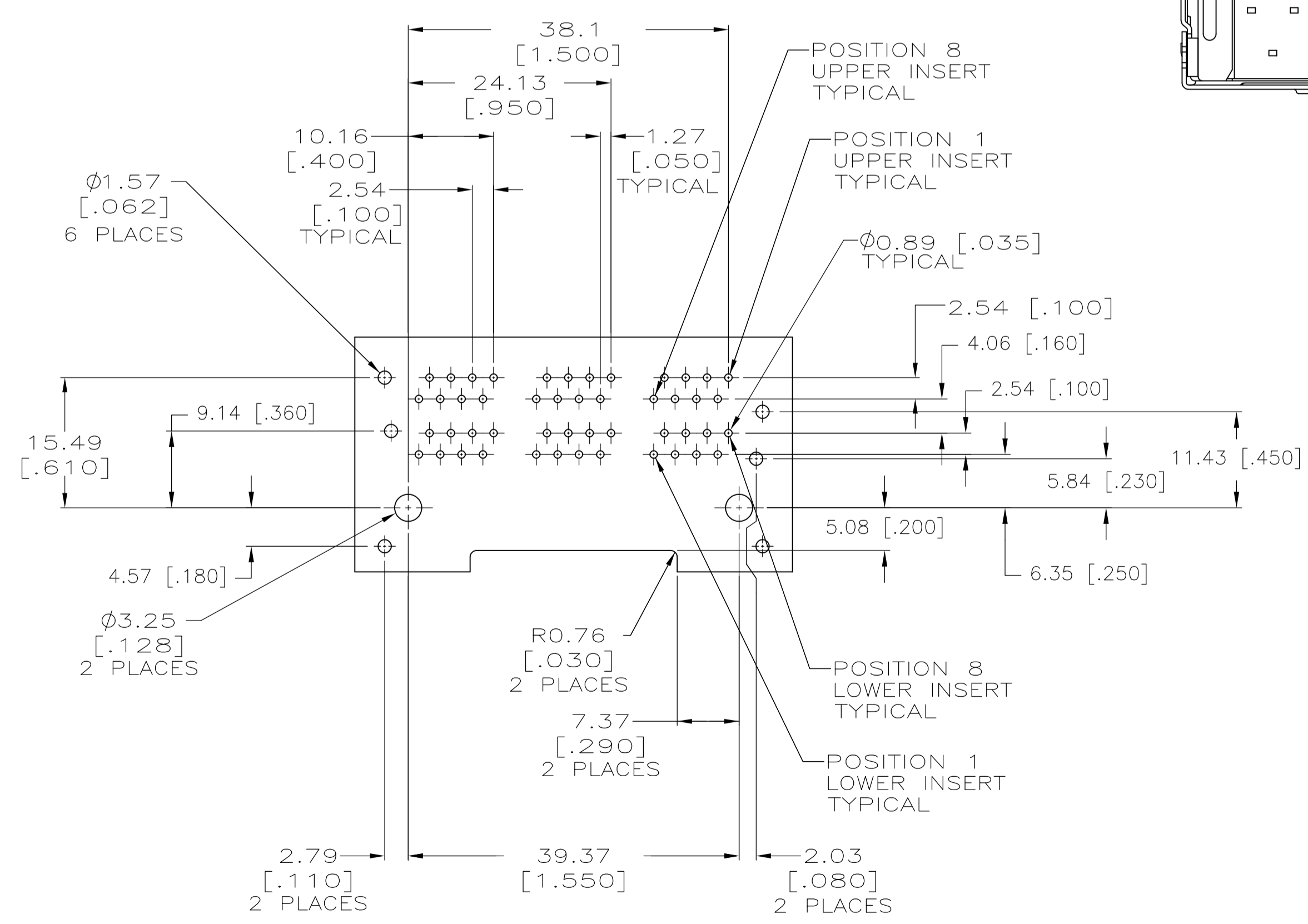
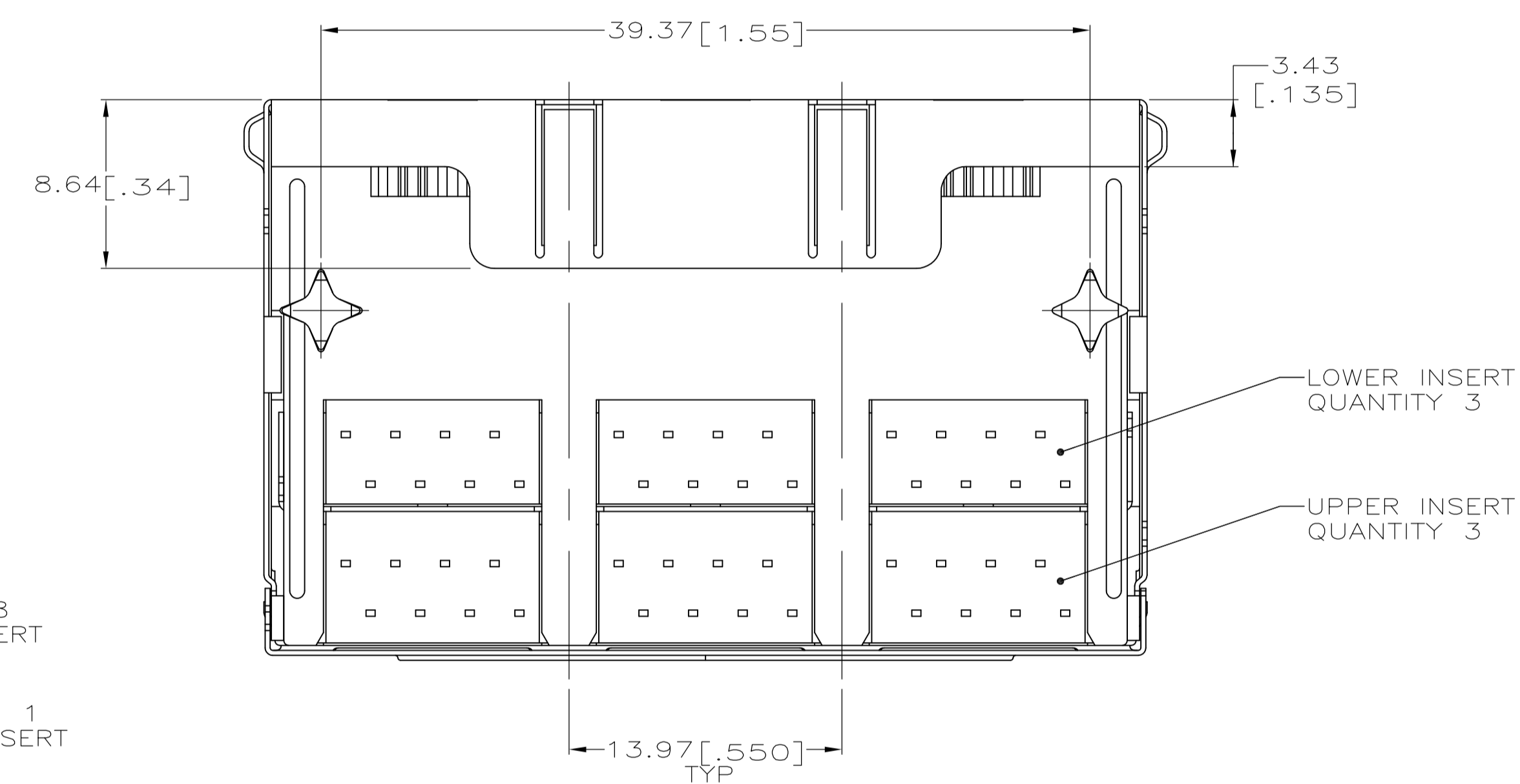
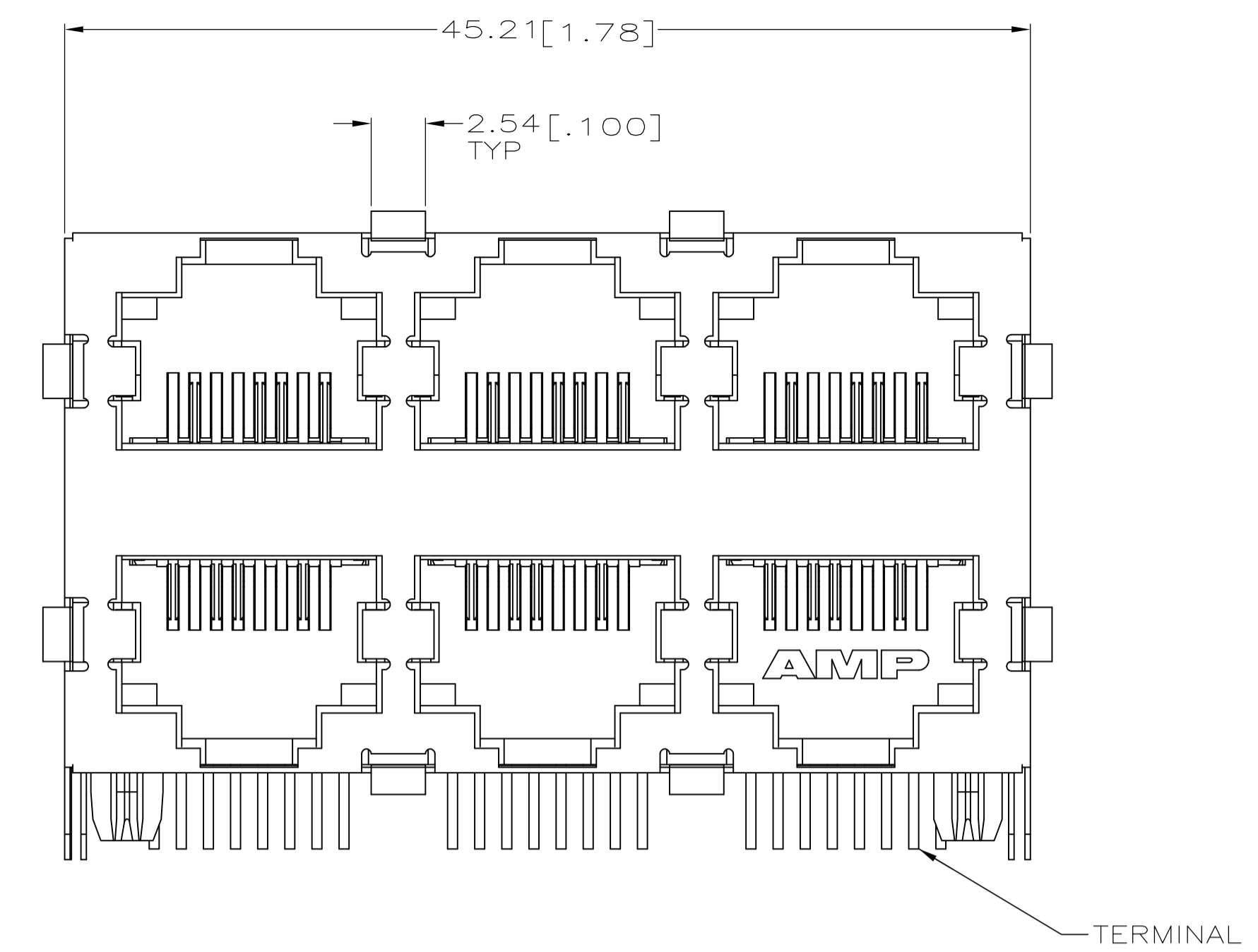
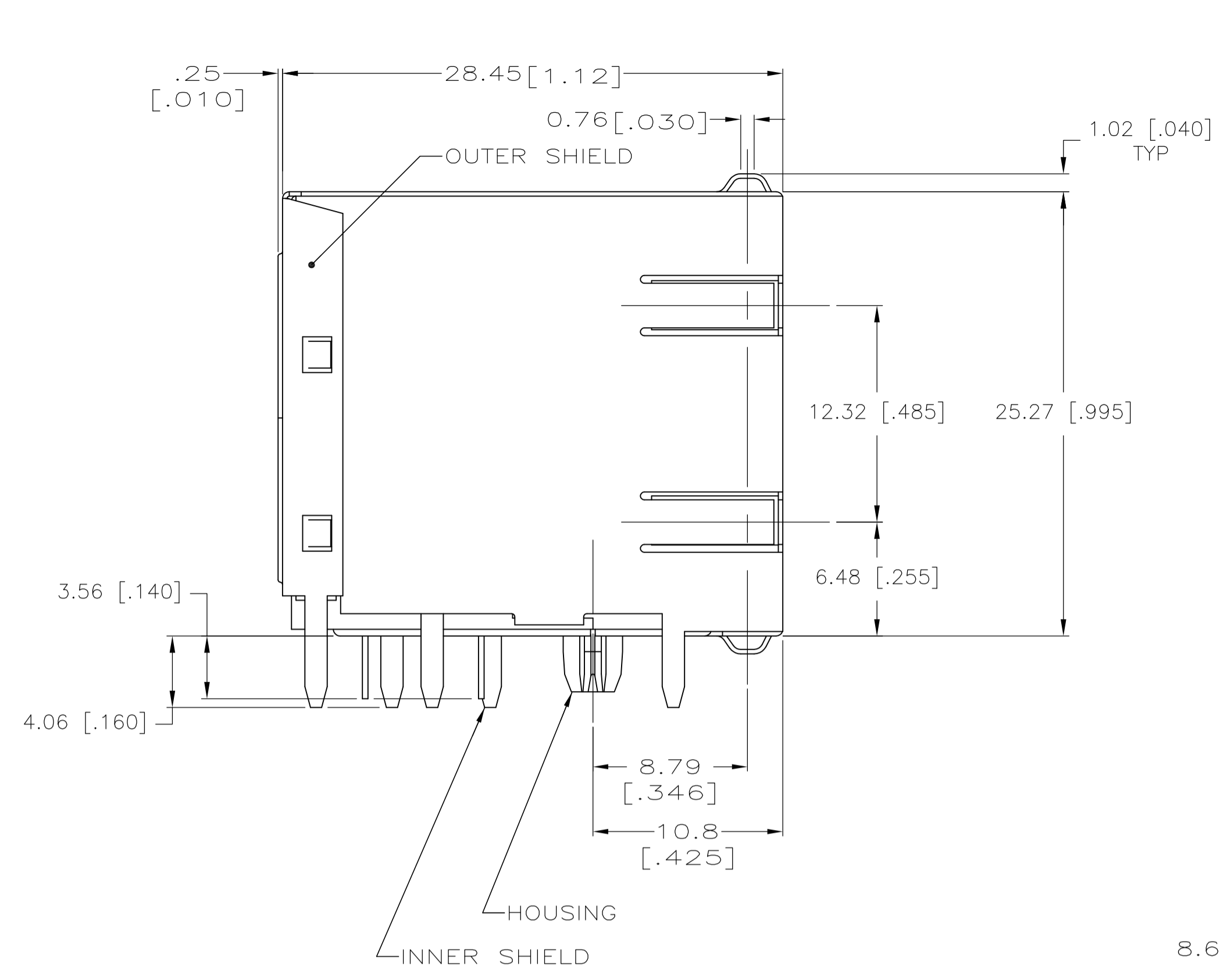
Tel: +86-755-8981 8866 Fax: +86-755-8427 6832

Email & Skype: info@chipsmall.com Web: www.chipsmall.com

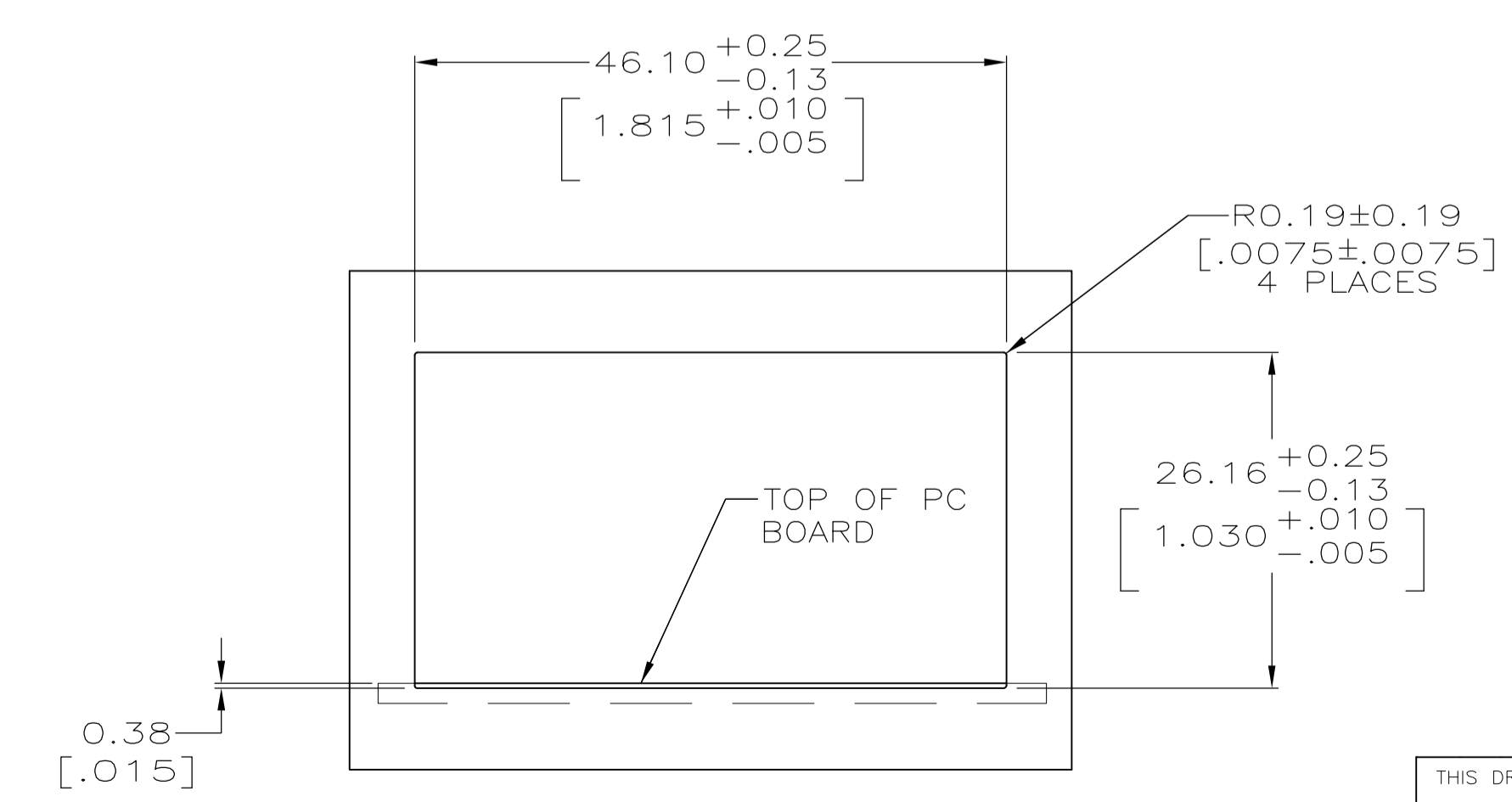
Address: A1208, Overseas Decoration Building, #122 Zhenhua RD., Futian, Shenzhen, China



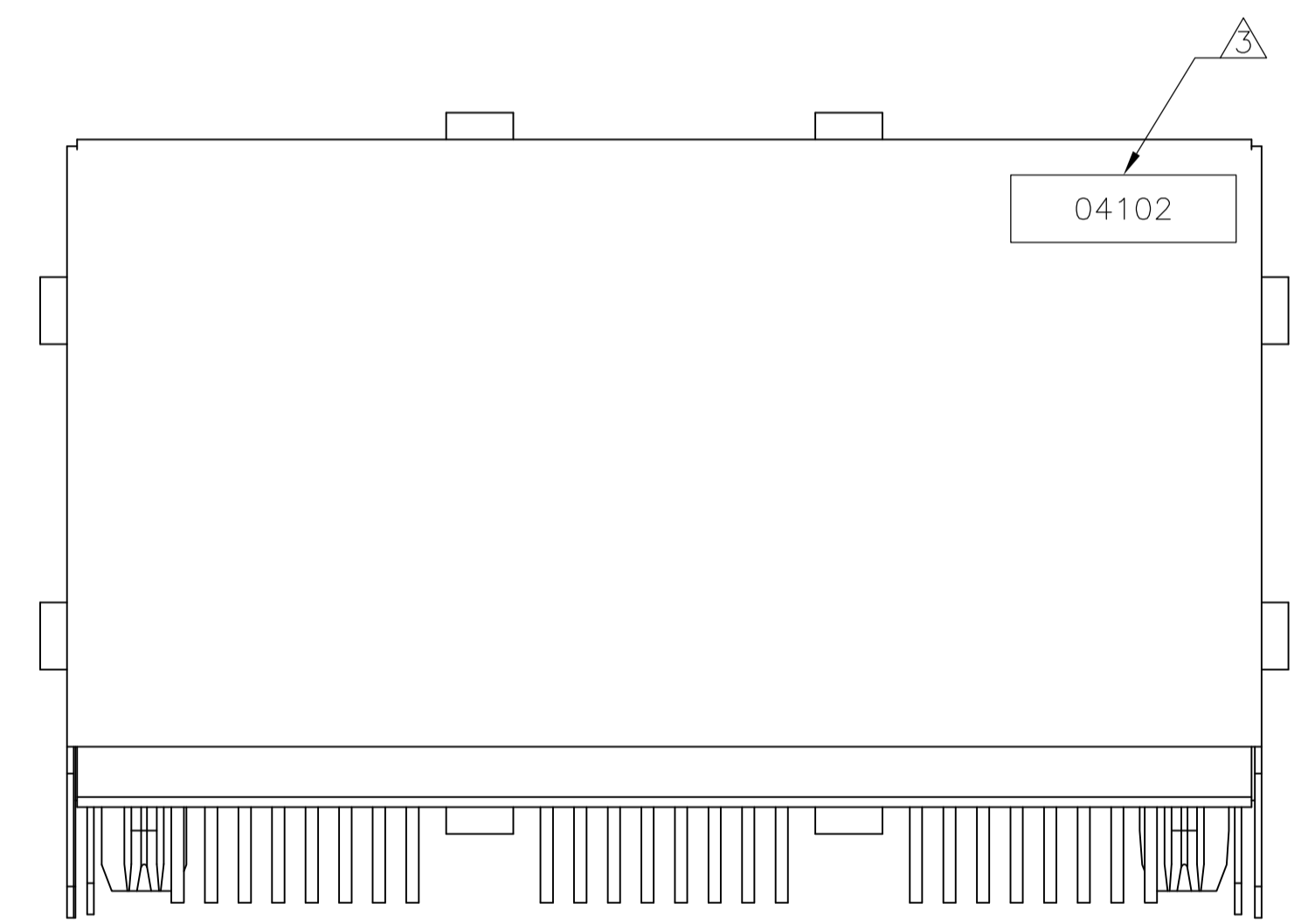
LOC		DIST		REVISONS			
AA	22	F	LTR	DESCRIPTION	DATE	DWN	APVD
A1				REVISED ECR-08-031628	02DEC08	AZ	SY



PC BOARD LAYOUT VIEWED FROM COMPONENT SIDE
SCALE 2:1



SUGGESTED PANEL CUTOUT DIMENSIONS
SCALE 2:1



BACK VIEW

- △ MATERIAL:
HOUSING - PCT POLYESTER, BLACK, UL94V-0.
OVERMOLDED TERMINAL ARRAY - PBT, BROWN.
TERMINALS - 0.33 [.013] THICK PHOS BRONZE
PLATED WITH 1.27um [.000050] MIN THICK
HARD GOLD IN LOCALIZED AREA AND 3.81um
[.000150] MIN THICK MATTE TIN IN SOLDER
AREA OVER 1.27um [.000050] MIN THICK
NICKEL UNDERPLATE.
SHIELDS - 0.25 [.010] THICK COPPER ALLOY
PLATED WITH 1.27 um [.000050] MINIMUM NICKEL
AND 2.03 um [.000080] MINIMUM HOT TIN DIP
ON PCB GROUND TABS.
- △ JACK CAVITY CONFORMS TO FCC RULES AND
REGULATIONS, PART 68 SUBPART F.
- △ DATE CODE LOCATED ON REAR OF PART
APPROXIMATELY AS SHOWN:
FIRST 2 DIGITS ARE LAST 2 DIGITS OF YEAR,
SECOND 2 DIGITS ARE MANUFACTURING
WORK WEEK,
LAST DIGIT IS DAY OF WEEK, WITH SUNDAY = 1.

THIS DRAWING IS A CONTROLLED DOCUMENT.		DIN A. FERNANDEZ-DOCKS 15JUN2005	Tyco Electronics Corporation Harrisburg, PA 17105-3608	
DIMENSIONS: mm [INCHES]		CHK J. WESTMAN 15JUN2005	NAME S. FLICKINGER 15JUN2005	
TOLERANCES UNLESS OTHERWISE SPECIFIED:		PRODUCT SPEC 108-1163-2		
0 PLC ± -		APPLICATION SPEC 114-2048		
1 PLC ± -		SIZE A1		
2 PLC ± 0.25(.01)		SCALE 4:1		
3 PLC ± 0.13(.005)		SHEET 1 of 1		
4 PLC ± -		REV A1		
ANGLES ± -		RESTRICTED TO		
FINISH △		CUSTOMER DRAWING		
MATERIAL △		WEIGHT -		
		DRAWING NO 00779		
		PART NUMBER 5569261-1		