



Chipsmall Limited consists of a professional team with an average of over 10 year of expertise in the distribution of electronic components. Based in Hongkong, we have already established firm and mutual-benefit business relationships with customers from,Europe,America and south Asia,supplying obsolete and hard-to-find components to meet their specific needs.

With the principle of “Quality Parts,Customers Priority,Honest Operation,and Considerate Service”,our business mainly focus on the distribution of electronic components. Line cards we deal with include Microchip,ALPS,ROHM,Xilinx,Pulse,ON,Everlight and Freescale. Main products comprise IC,Modules,Potentiometer,IC Socket,Relay,Connector.Our parts cover such applications as commercial,industrial, and automotives areas.

We are looking forward to setting up business relationship with you and hope to provide you with the best service and solution. Let us make a better world for our industry!



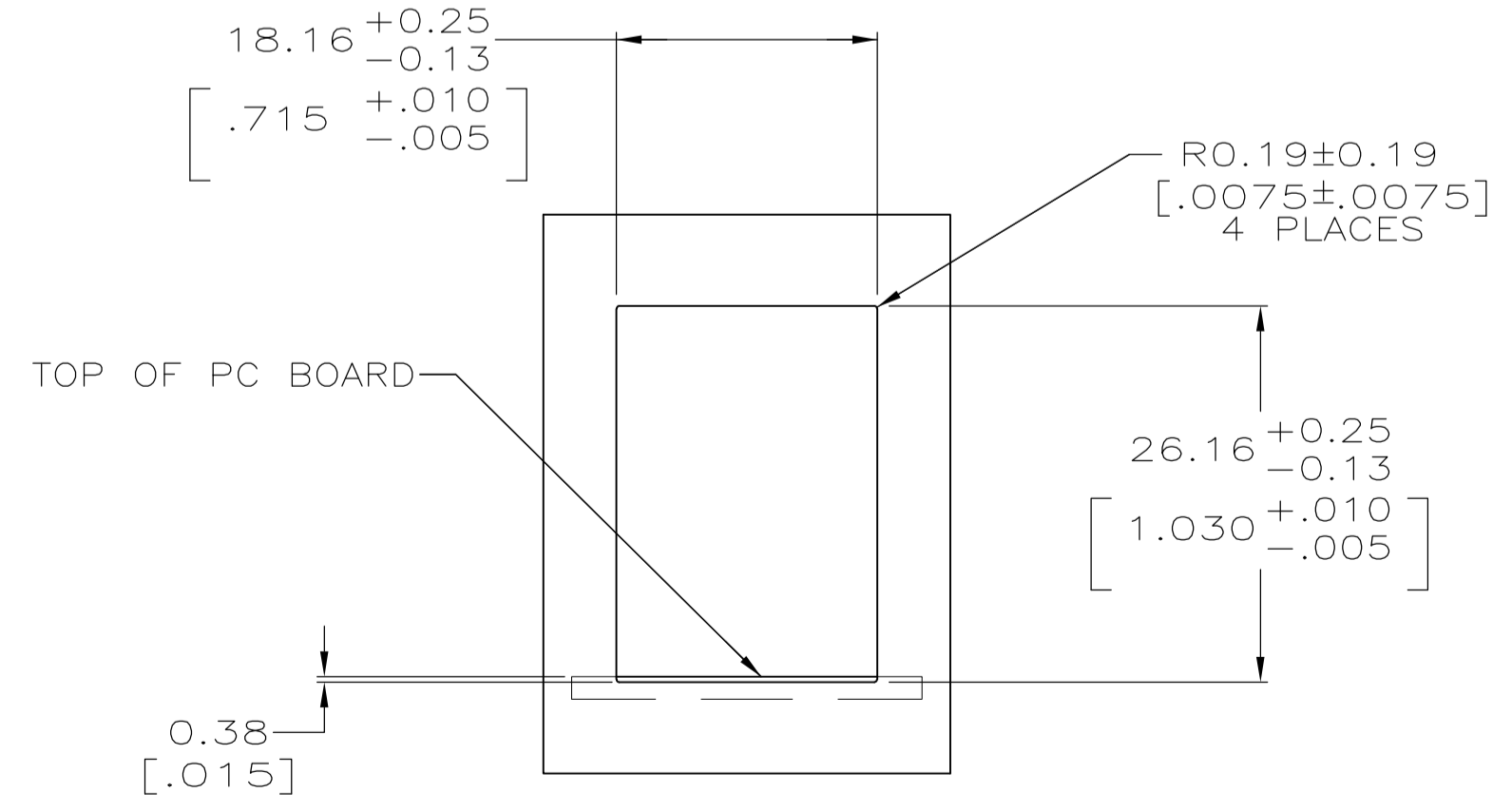
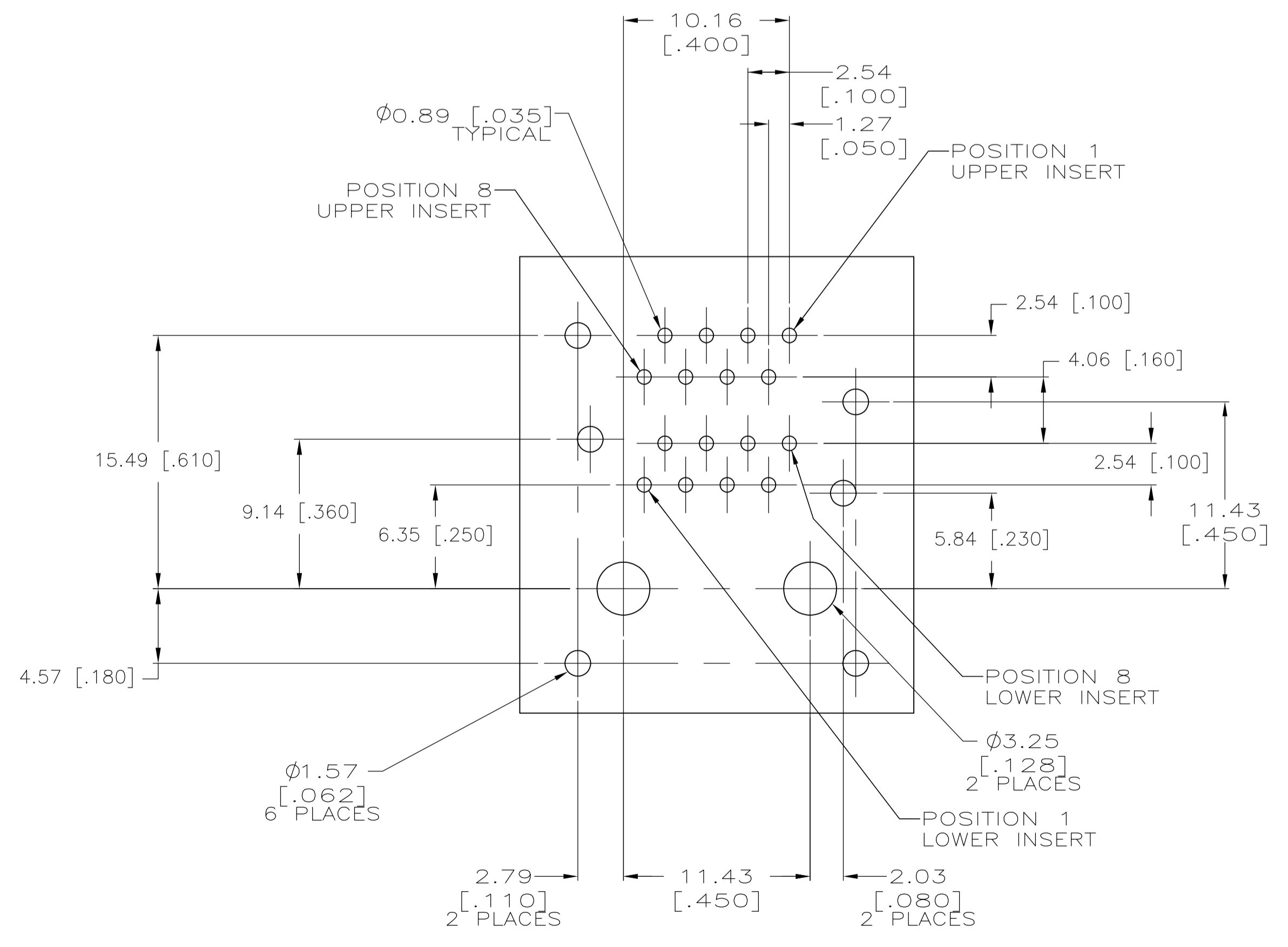
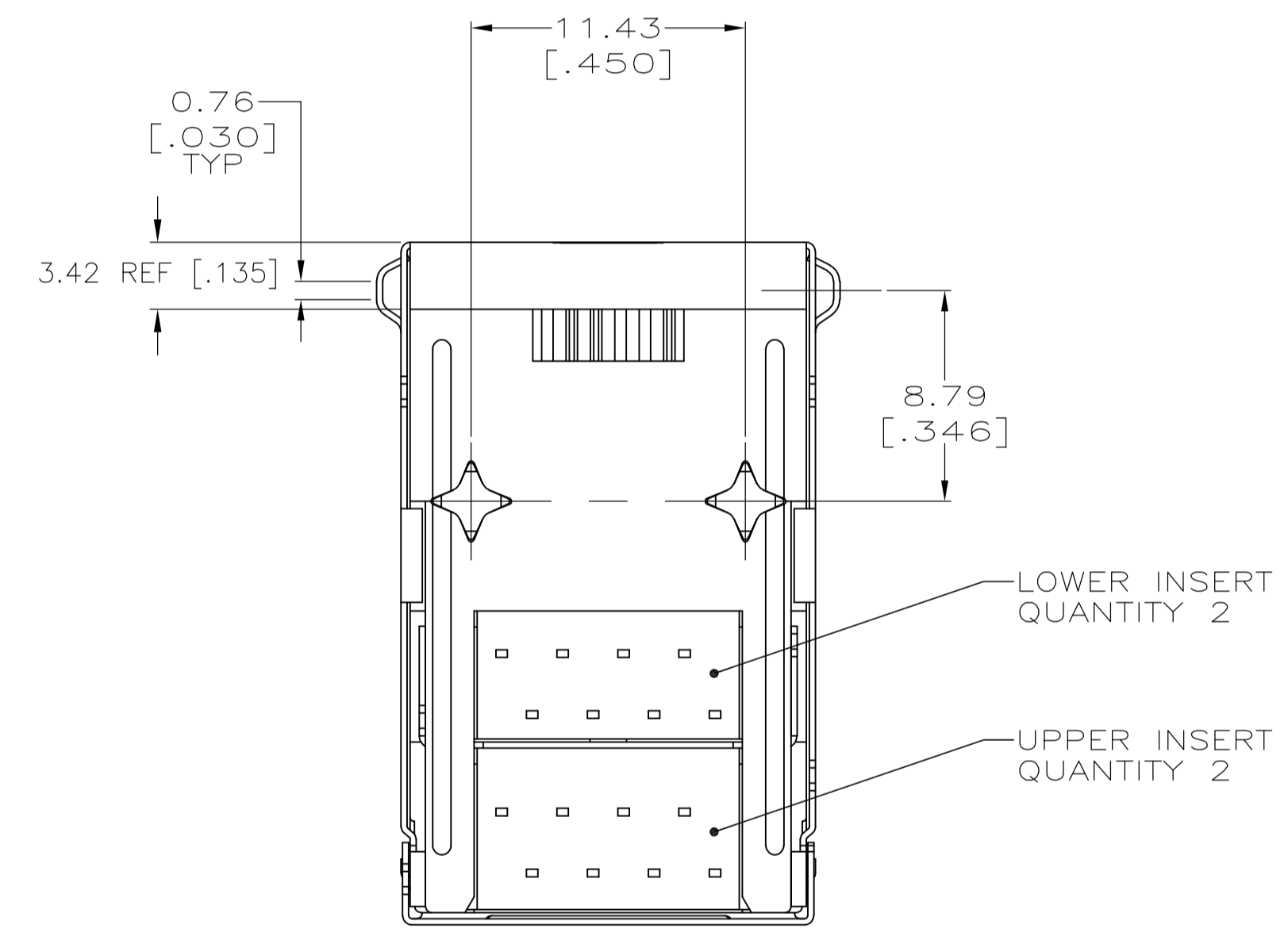
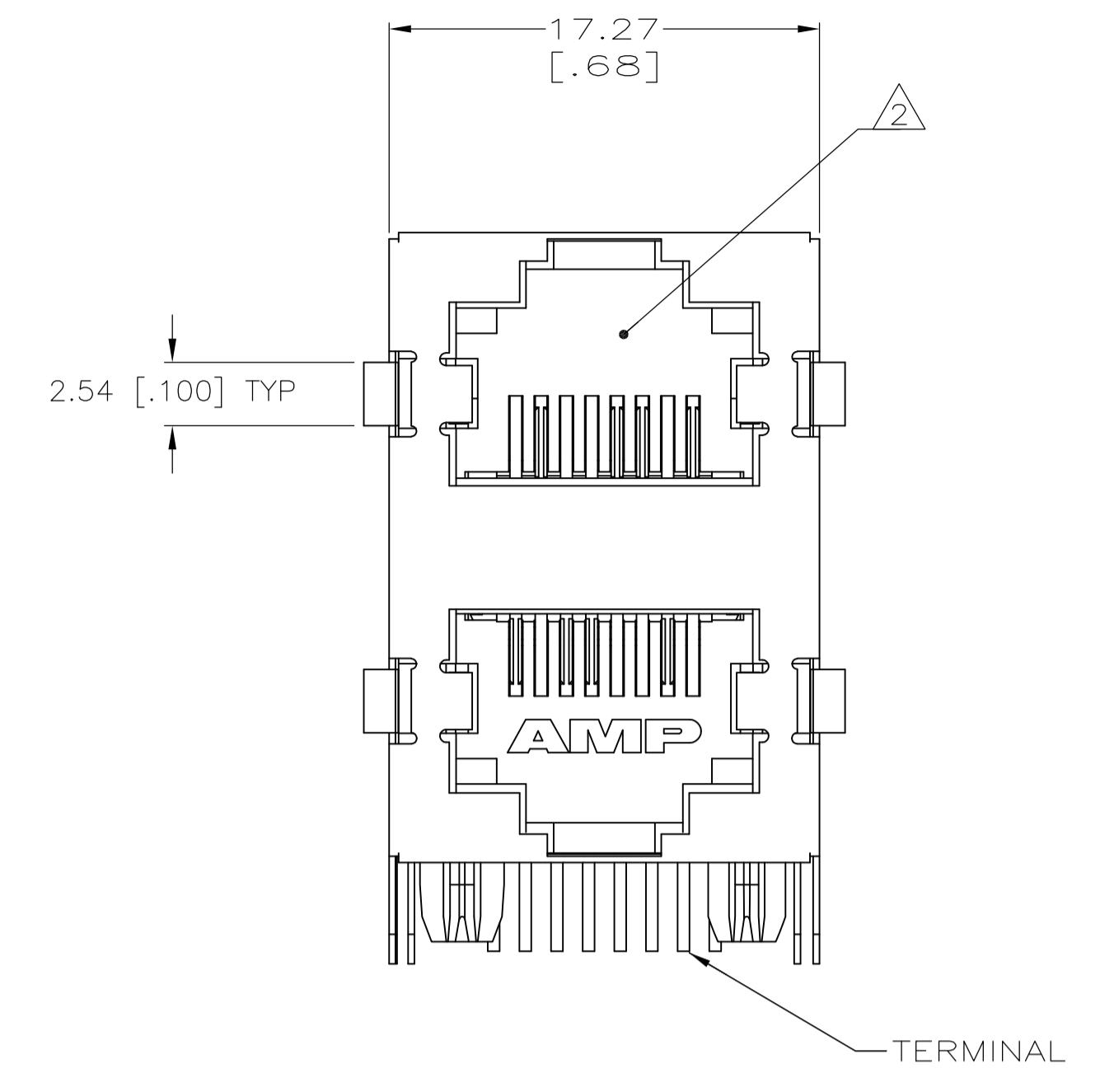
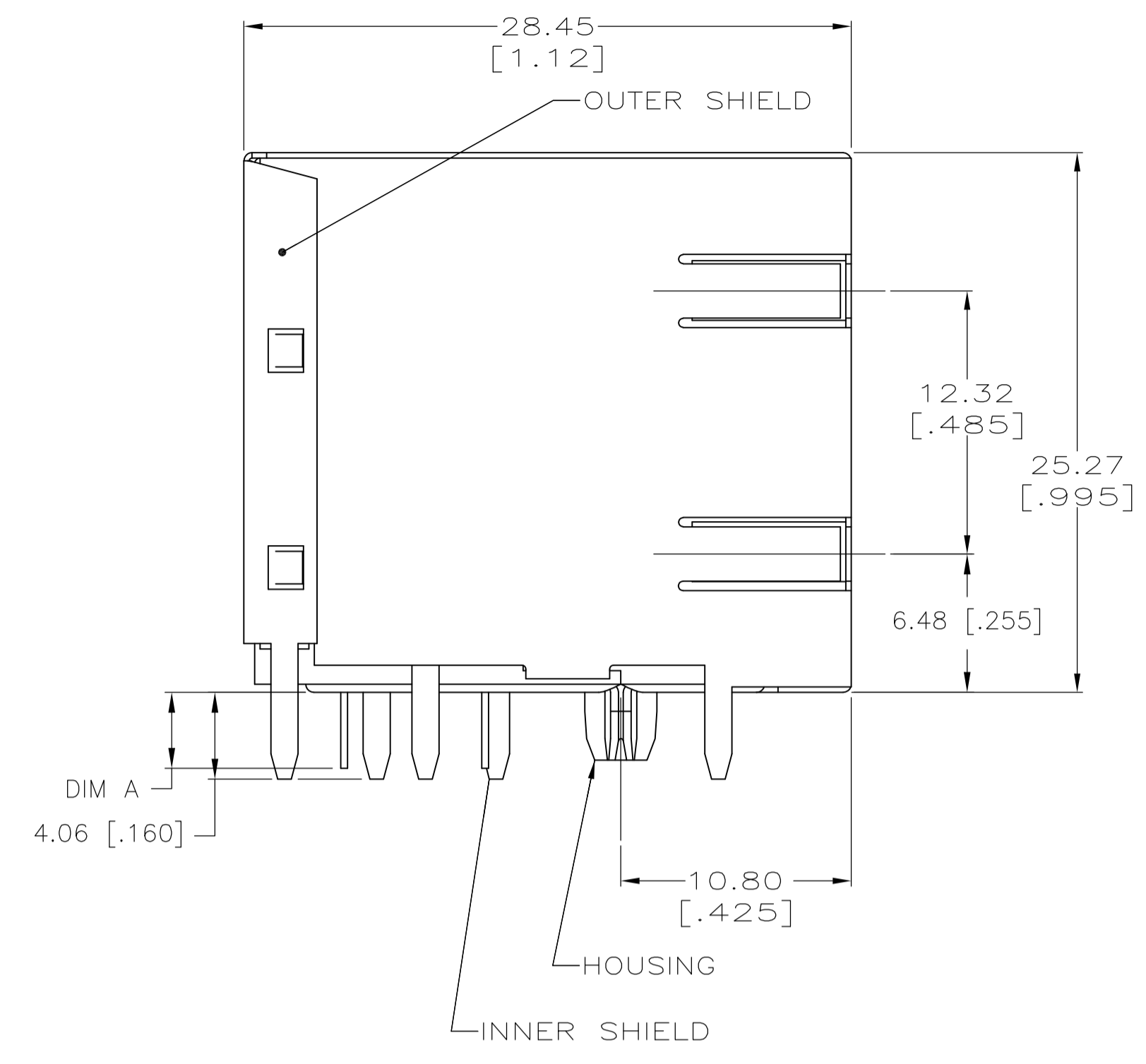
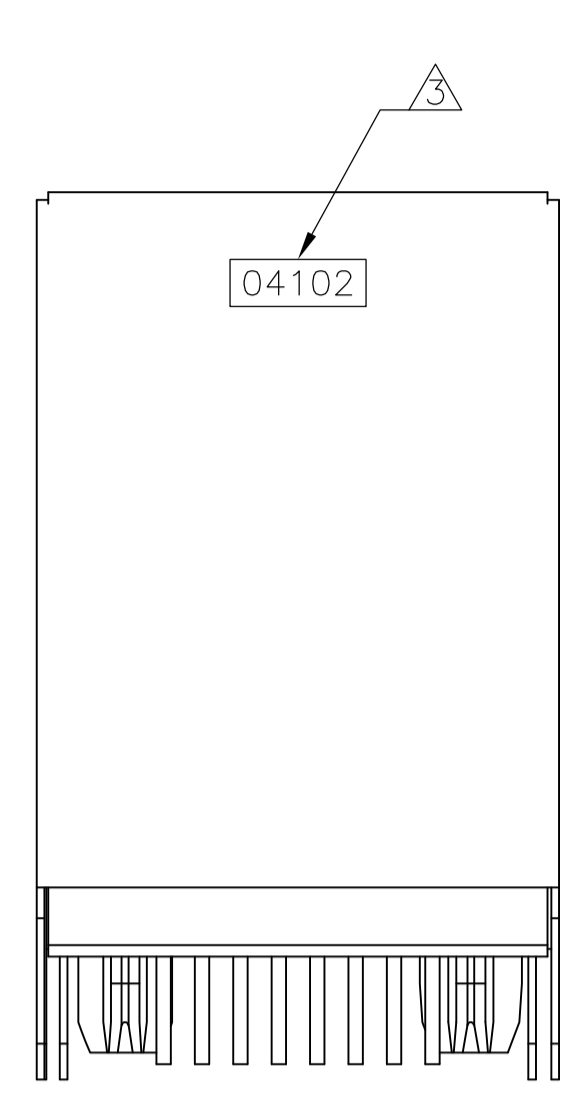
Contact us

Tel: +86-755-8981 8866 Fax: +86-755-8427 6832

Email & Skype: info@chipsmall.com Web: www.chipsmall.com

Address: A1208, Overseas Decoration Building, #122 Zhenhua RD., Futian, Shenzhen, China





- MATERIAL:
 HOUSING - PCT POLYESTER, BLACK, UL94V-0.
 OVERMOLDED TERMINAL ARRAY - PBT, BROWN.
 TERMINALS - 0.33 [.013] THICK PHOS BRONZE PLATED WITH 1.27um [.000050] MIN THICK HARD GOLD IN LOCALIZED AREA AND 3.81um [.000150] MIN THICK MATTE TIN IN SOLDER AREA OVER 1.27um [.000050] MIN THICK NICKEL UNDERPLATE.
 SHIELDS - 0.25 [.010] THICK COPPER ALLOY PLATED WITH 1.27 um [.000050] MINIMUM NICKEL AND 2.03 um [.000080] MINIMUM HOT TIN DIP ON PCB GROUND TABS.
- △ JACK CAVITY CONFORMS TO FCC RULES AND REGULATIONS, PART 68 SUBPART F.
- △ DATE CODE LOCATED ON REAR OF PART APPROXIMATELY AS SHOWN:
 FIRST 2 DIGITS ARE LAST 2 DIGITS OF YEAR,
 SECOND 2 DIGITS ARE MANUFACTURING WORK WEEK,
 LAST DIGIT IS DAY OF WEEK, WITH SUNDAY = 1.

PC BOARD LAYOUT VIEWED FROM COMPONENT SIDE

SUGGESTED PANEL CUTOUT DIMENSIONS SCALE 2:1

4.06 [.160]	5569381-2
3.56 [.140]	5569381-1
DIM A	PART NUMBER

THIS DRAWING IS A CONTROLLED DOCUMENT.		DIN T. SPRINKLE/L.A. MAYER 21MAY2005		Tyco Electronics Corporation	
DIMENSIONS: mm [INCHES]		CHK J. WESTMAN 21MAY2005		Harrisburg, Pa 17105-3608	
TOLERANCES UNLESS OTHERWISE SPECIFIED:		APVD S. FLICKINGER 21MAY2005		NAME	
0. PLC ± -	1. PLC ± -	PRODUCT SPEC		STACKED MODULAR JACK ASSEMBLY, 2x1 PORT, 8 POSITION, SHIELDED, PANEL GROUND, CATEGORY 5	
2. PLC ± 0.25(.01)	3. PLC ± 0.13(.005)	APPLICATION SPEC		108-1163-2	
4. PLC ANGLES ± -		SIZE		114-2048	
MATERIAL SEE NOTE 1	FINISH SEE NOTE 1	WEIGHT		A1 00779 C=5569381	
		CUSTOMER DRAWING		SCALE 4:1 SHEET 1 OF 1 REV C2	