



Chipsmall Limited consists of a professional team with an average of over 10 year of expertise in the distribution of electronic components. Based in Hongkong, we have already established firm and mutual-benefit business relationships with customers from,Europe,America and south Asia,supplying obsolete and hard-to-find components to meet their specific needs.

With the principle of “Quality Parts,Customers Priority,Honest Operation,and Considerate Service”,our business mainly focus on the distribution of electronic components. Line cards we deal with include Microchip,ALPS,ROHM,Xilinx,Pulse,ON,Everlight and Freescale. Main products comprise IC,Modules,Potentiometer,IC Socket,Relay,Connector.Our parts cover such applications as commercial,industrial, and automotives areas.

We are looking forward to setting up business relationship with you and hope to provide you with the best service and solution. Let us make a better world for our industry!



Contact us

Tel: +86-755-8981 8866 Fax: +86-755-8427 6832

Email & Skype: info@chipsmall.com Web: www.chipsmall.com

Address: A1208, Overseas Decoration Building, #122 Zhenhua RD., Futian, Shenzhen, China



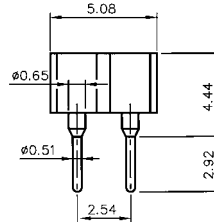
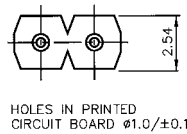
TR3
PC Board Mounting

Sockets

- FaxBack Document # 310
- Short Leads
- Wave Solderable

No. 561

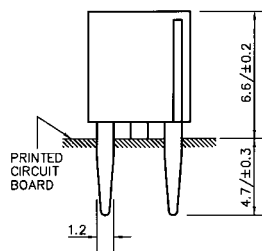
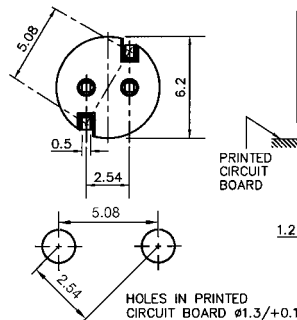
Vertical



- **Rated Voltage:** 125V
- **Mounting:**
PC Board, 2.54mm pin spacing
- **Material:**
Body: Black thermoplastic (PBT), UL 94-V0
Metal parts: Beryllium copper, corrosion protected
Terminals: Brass, tin-plated for soldering
- **Electrical Data:**
Max. current carrying capacity: 5A
Admissible fuse power dissipation: 1.6W at 40°C
Conducting path cross-section: 0.1mm²

No. 556

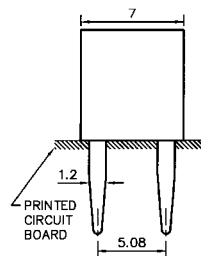
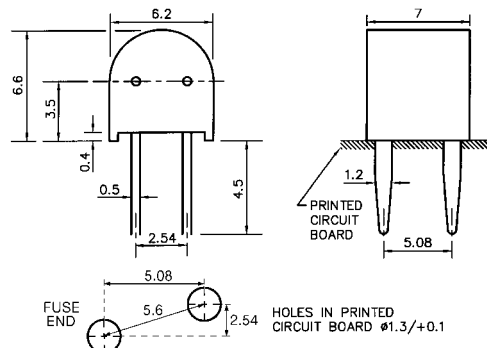
Vertical



- **Rated Voltage:** 125V
- **Mounting:**
PC Board, 5.08mm hole spacing
- **Material:**
Body: Black thermoplastic (Polyamide PA 6.6), UL 94-V0
Metal parts: Copper alloy, corrosion protected
Terminals: Tinned for soldering
- **Electrical Data:**
Max. current carrying capacity: 5A
Admissible fuse power dissipation: 1.6W at 40°C
Conducting path cross-section: 0.1mm²

No. 557

Horizontal



- **Rated Voltage:** 125V
- **Mounting:**
PC Board, 5.08mm hole spacing
- **Material:**
Body: Black thermoplastic (Polyamide PA 6.6), UL 94-V0
Metal parts: Copper alloy, corrosion protected
Terminals: Tinned for soldering
- **Electrical Data:**
Max. current carrying capacity: 5A
Admissible fuse power dissipation: 1.6W at 40°C
Conducting path cross-section: 0.1mm²