



Chipsmall Limited consists of a professional team with an average of over 10 year of expertise in the distribution of electronic components. Based in Hongkong, we have already established firm and mutual-benefit business relationships with customers from,Europe,America and south Asia,supplying obsolete and hard-to-find components to meet their specific needs.

With the principle of “Quality Parts,Customers Priority,Honest Operation,and Considerate Service”,our business mainly focus on the distribution of electronic components. Line cards we deal with include Microchip,ALPS,ROHM,Xilinx,Pulse,ON,Everlight and Freescale. Main products comprise IC,Modules,Potentiometer,IC Socket,Relay,Connector.Our parts cover such applications as commercial,industrial, and automotives areas.

We are looking forward to setting up business relationship with you and hope to provide you with the best service and solution. Let us make a better world for our industry!



Contact us

Tel: +86-755-8981 8866 Fax: +86-755-8427 6832

Email & Skype: info@chipsmall.com Web: www.chipsmall.com

Address: A1208, Overseas Decoration Building, #122 Zhenhua RD., Futian, Shenzhen, China



PART NUMBER	COLOR	FIGURE	V _f (V)TYP.	I _f (mA)TYP.	INTENSITY (fL) * TYP.	NOTE
557-1002-203	WHITE	I	5	16	700	SUPER BRIGHT
557-1003-203	WHITE	I	12	16	700	SUPER BRIGHT
557-1005-203	WHITE	I	24	16	700	SUPER BRIGHT
557-1101-203	RED	I	REQUIRES EXTERNAL RESISTOR	40	100	
557-1103-203	RED	I	12	20	100	
557-1104-203	RED	I	28	20	100	
557-1201-203	GREEN	I	REQUIRES EXTERNAL RESISTOR	50	150	
557-1203-203	GREEN	I	12	25	150	
557-1204-203	GREEN	I	28	25	150	
557-1301-203	YELLOW	I	REQUIRES EXTERNAL RESISTOR	50	100	
557-1303-203	YELLOW	I	12	25	100	
557-1304-203	YELLOW	I	28	25	100	
557-1402-203	R/G	II	5	80/80	200/100	
557-1412-203	R/G	II	5	70/16	400/1000	SUPER BRIGHT
557-1422-203	R/B	II	5	70/16	400/250	SUPER BRIGHT
557-1432-203	Y/G	II	5	70/16	400/1000	SUPER BRIGHT
557-1442-203	Y/B	II	5	70/16	400/250	SUPER BRIGHT
557-1501-203	RED	I	REQUIRES EXTERNAL RESISTOR	40	1000	SUPER BRIGHT
557-1502-203	RED	I	5	80	1000	SUPER BRIGHT
557-1503-203	RED	I	12	20	1000	SUPER BRIGHT
557-1505-203	RED	I	24	20	1000	SUPER BRIGHT
557-1602-203	GREEN	I	5	16	1000	SUPER BRIGHT
557-1603-203	GREEN	I	12	16	1000	SUPER BRIGHT
557-1604-203	GREEN	I	28	16	1000	SUPER BRIGHT
557-1605-203	GREEN	I	24	16	1000	SUPER BRIGHT
557-1702-203	YELLOW	I	5	80	1000	SUPER BRIGHT
557-1703-203	YELLOW	I	12	20	1000	SUPER BRIGHT
557-1705-203	YELLOW	I	24	20	1000	SUPER BRIGHT
557-1802-203	BLUE	I	5	16	250	SUPER BRIGHT
557-1803-203	BLUE	I	12	16	250	SUPER BRIGHT
557-1805-203	BLUE	I	24	16	250	SUPER BRIGHT

REV.	ECN NO.	REVISIONS	DRN.	CKD.	APP.	DATE
E	—	ADDED 557-1412-203, -1422, -1432, -1442, -1502, -1602, -1603, -1605, -1702, -1703, -1705, -1802, -1803 & -1805 TO THIS DWG; ADDED FIG. II; UPDATED ELEC. CHARACTERISTICS.	TC		N.O.	7-24-98
F	—	ADDED NOTES 1 AND 2.	TC	D.C.	N.O.	5-27-99
G	—	ADDED 557-1003-203 & TITLE.	DC	Y.C.	N.O.	11-28-00
H	—	ADDED P/N 557-1604-203.	DC	Y.C.	N.O.	2-13-01
J	—	ADDED P/N 557-1002-203 & 557-1005-203	JAV			

NOTES:
1. WIRE LEADS: 24 AWG, 7/32 STRANDED, PRE-BONDED, TYPE C, MIL-W-168780.
2. DIALIGHT PART NUMBER: 557-XXXX-203.

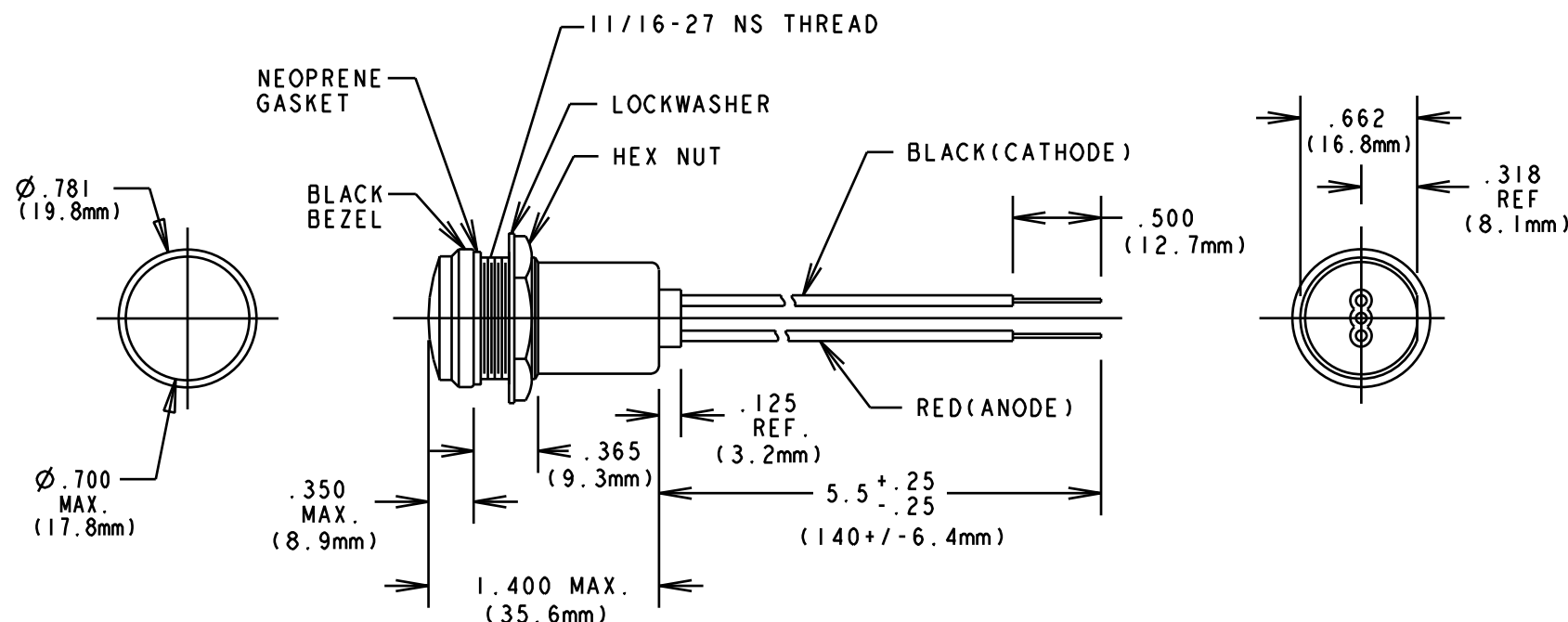
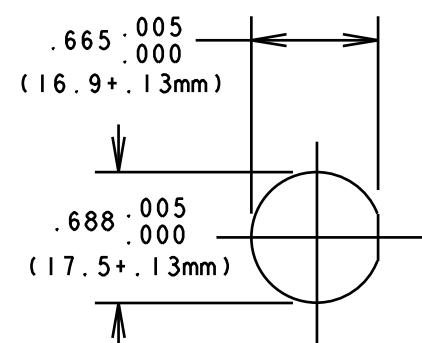


FIGURE I

* INTENSITY MEASURED IN FOOT LAMBERTS (I_fL=3.4 cd/m²)

MAX. PANEL THICKNESS: .200
SPACING € TO €: 1.000



RECOMMENDED MOUNTING HOLE

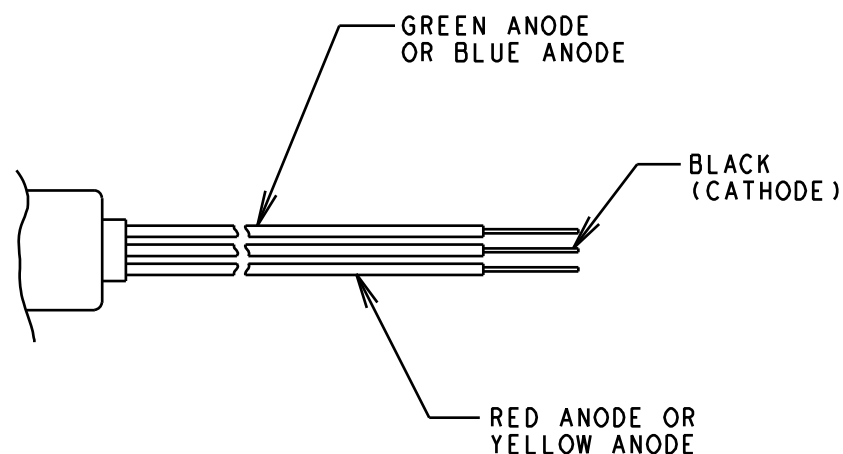


FIGURE II

THIS DRAWING AND THE CONTENTS HEREIN ARE CONFIDENTIAL AND THE SOLE PROPERTY OF DIALIGHT. REPRODUCTION OF THIS DRAWING OR CONSTRUCTION OF ANY PARTS WITHIN THIS DRAWING ARE FORBIDDEN WITHOUT THE WRITTEN CONSENT OF DIALIGHT.

SCALE 1:1	DRAWING NUMBER	REV
ALL DIM'S IN: INCHES (MM)	C-15638	J
TOLERANCES: UNLESS OTHERWISE SPECIFIED	TITLE	
FRACTIONS: ±1/64	11/16" MOUNTING HOLE	
DECIMALS (.XX): ±.020	WATERTIGHT PMI	
DECIMALS (.XXX): ±.015	MATERIAL	
ANGLES: ±3°		
FINISH:		
FSCM 83330	Dialight	1501 ROUTE 34 SOUTH FARMINGDALE, NJ 07727
	SHEET OF	FAMILY TABLE: