



Chipsmall Limited consists of a professional team with an average of over 10 year of expertise in the distribution of electronic components. Based in Hongkong, we have already established firm and mutual-benefit business relationships with customers from,Europe,America and south Asia,supplying obsolete and hard-to-find components to meet their specific needs.

With the principle of "Quality Parts,Customers Priority,Honest Operation,and Considerate Service",our business mainly focus on the distribution of electronic components. Line cards we deal with include Microchip,ALPS,ROHM,Xilinx,Pulse,ON,Everlight and Freescale. Main products comprise IC,Modules,Potentiometer,IC Socket,Relay,Connector.Our parts cover such applications as commercial,industrial, and automotives areas.

We are looking forward to setting up business relationship with you and hope to provide you with the best service and solution. Let us make a better world for our industry!



Contact us

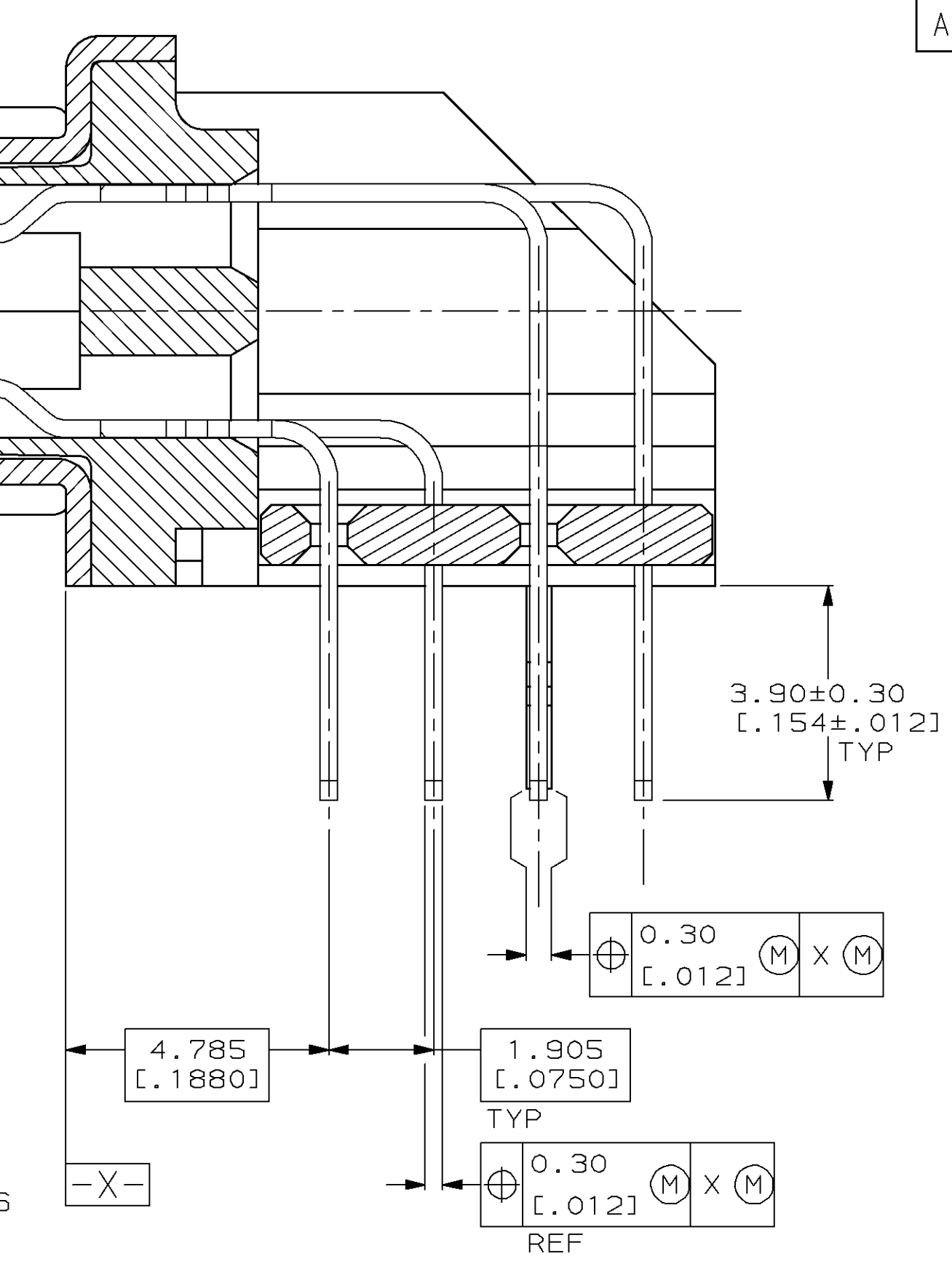
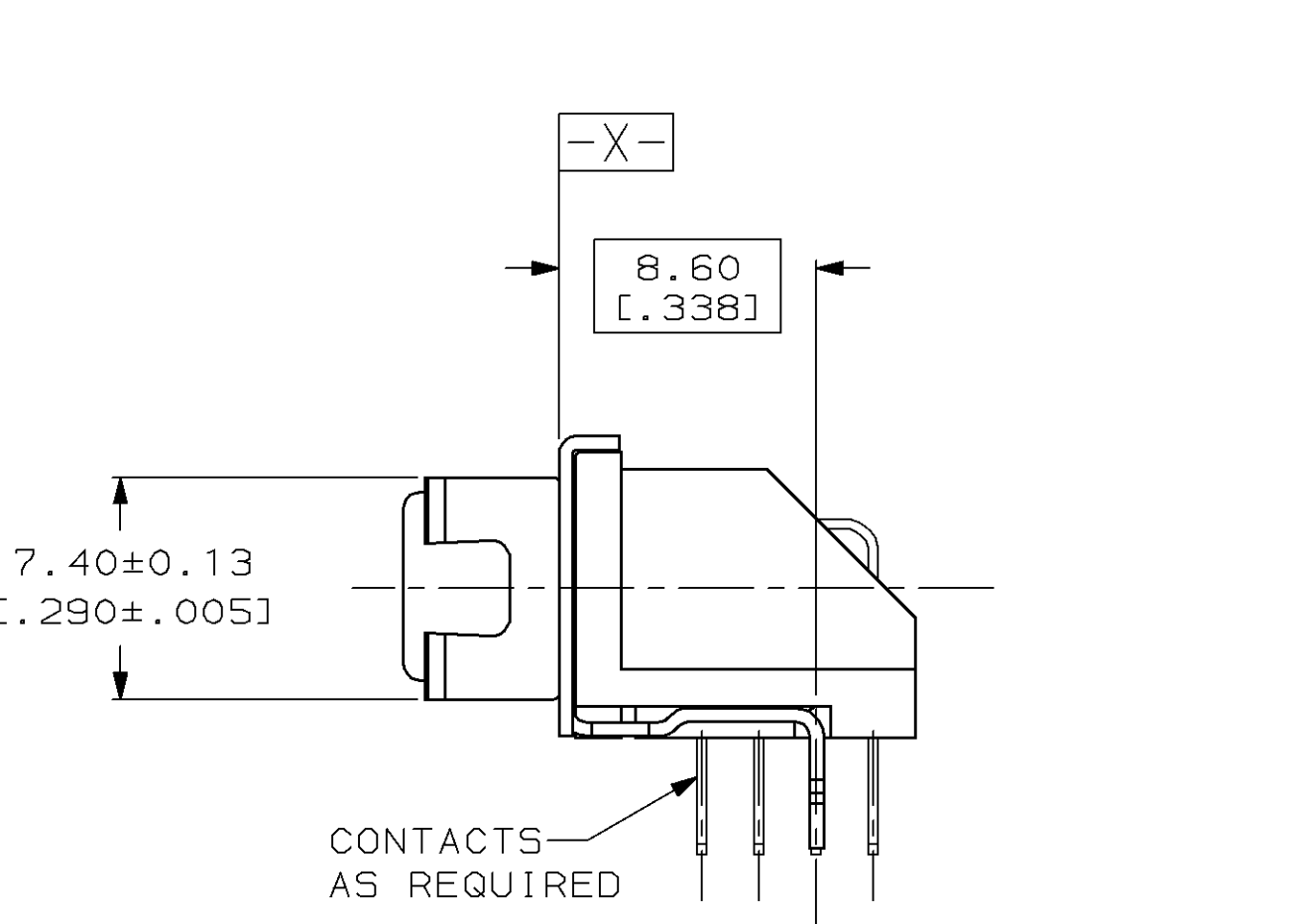
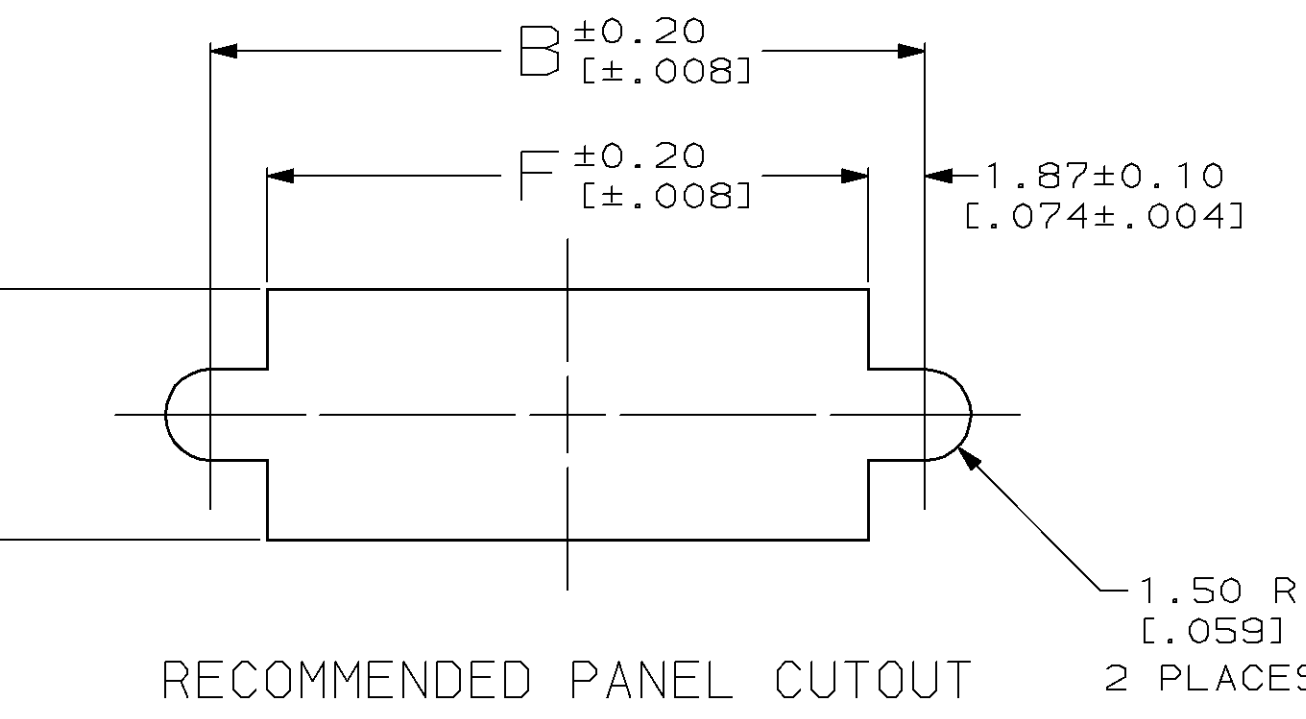
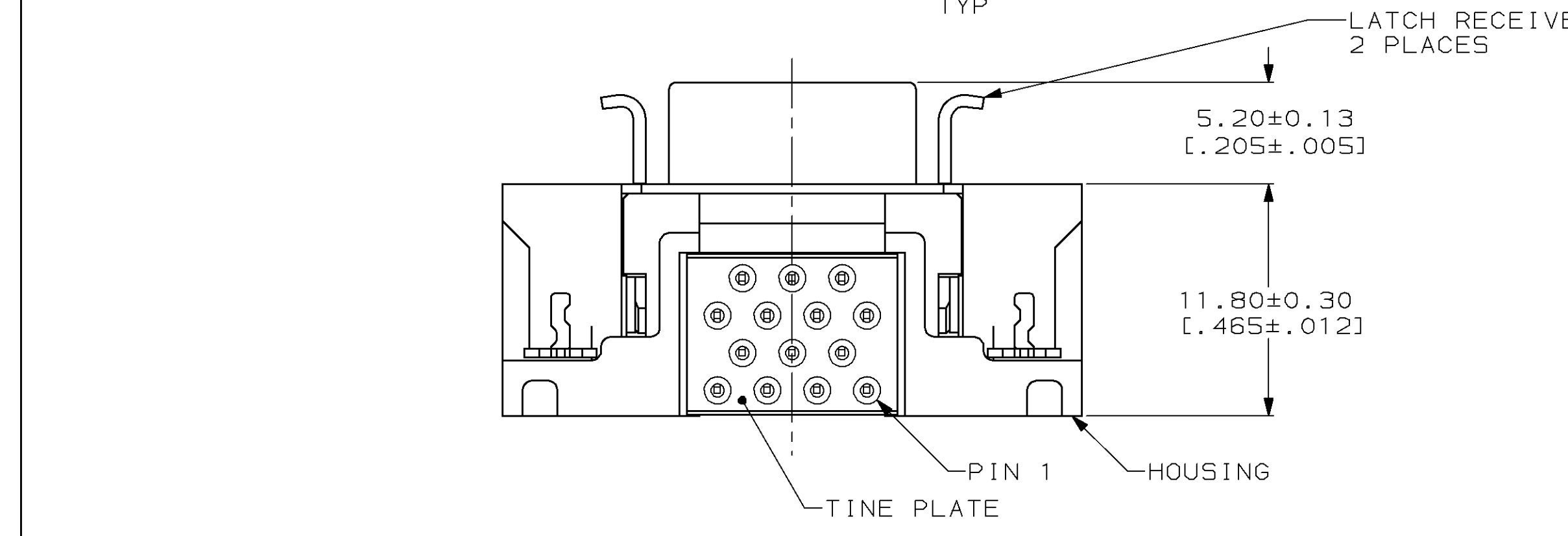
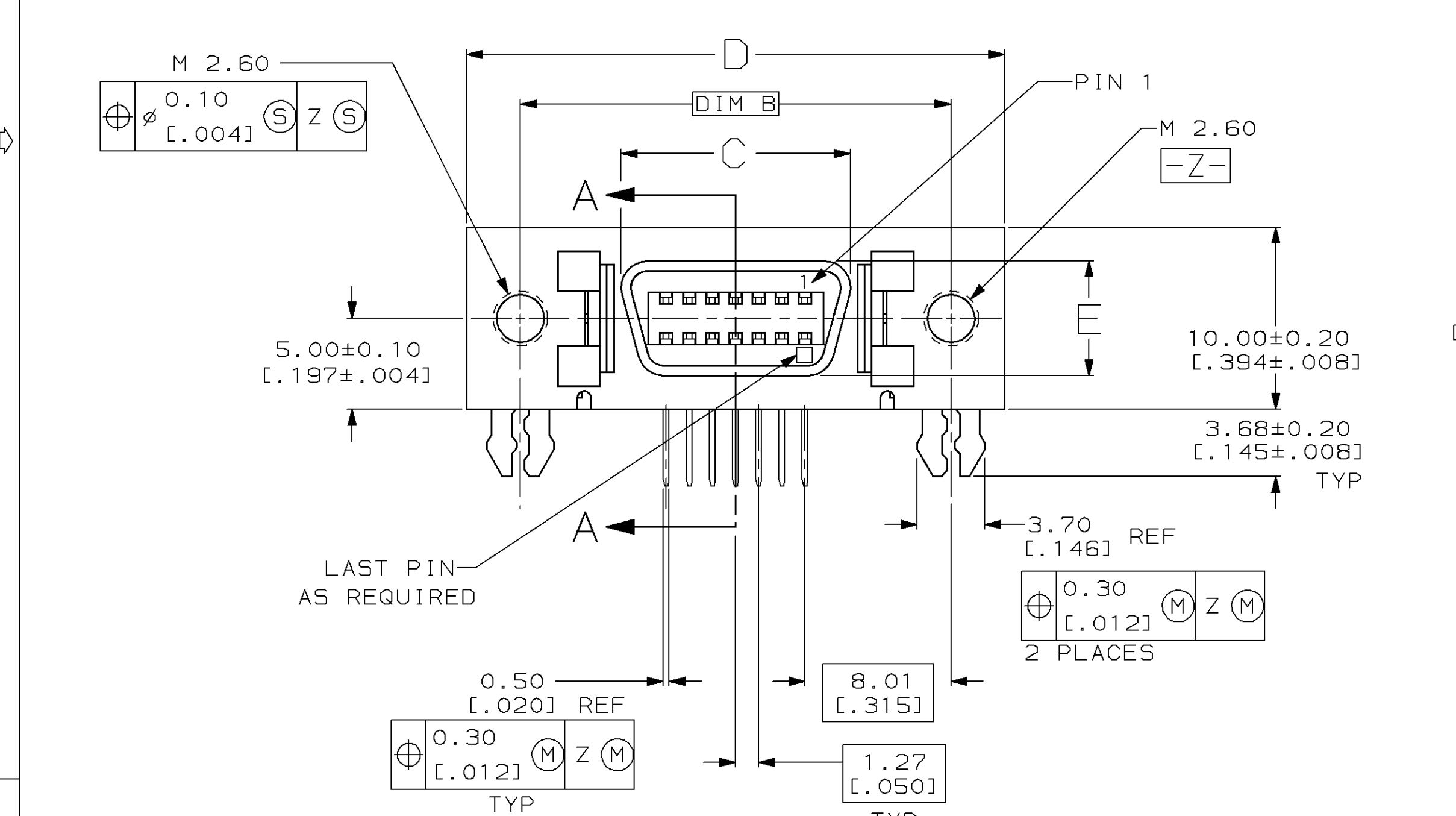
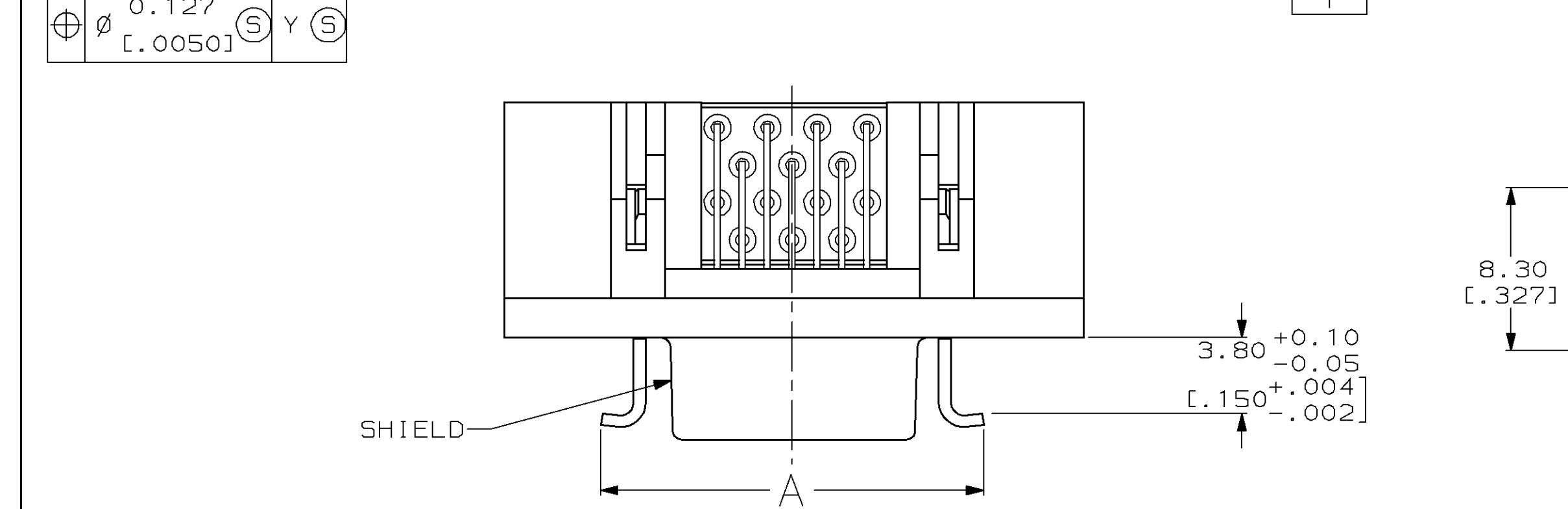
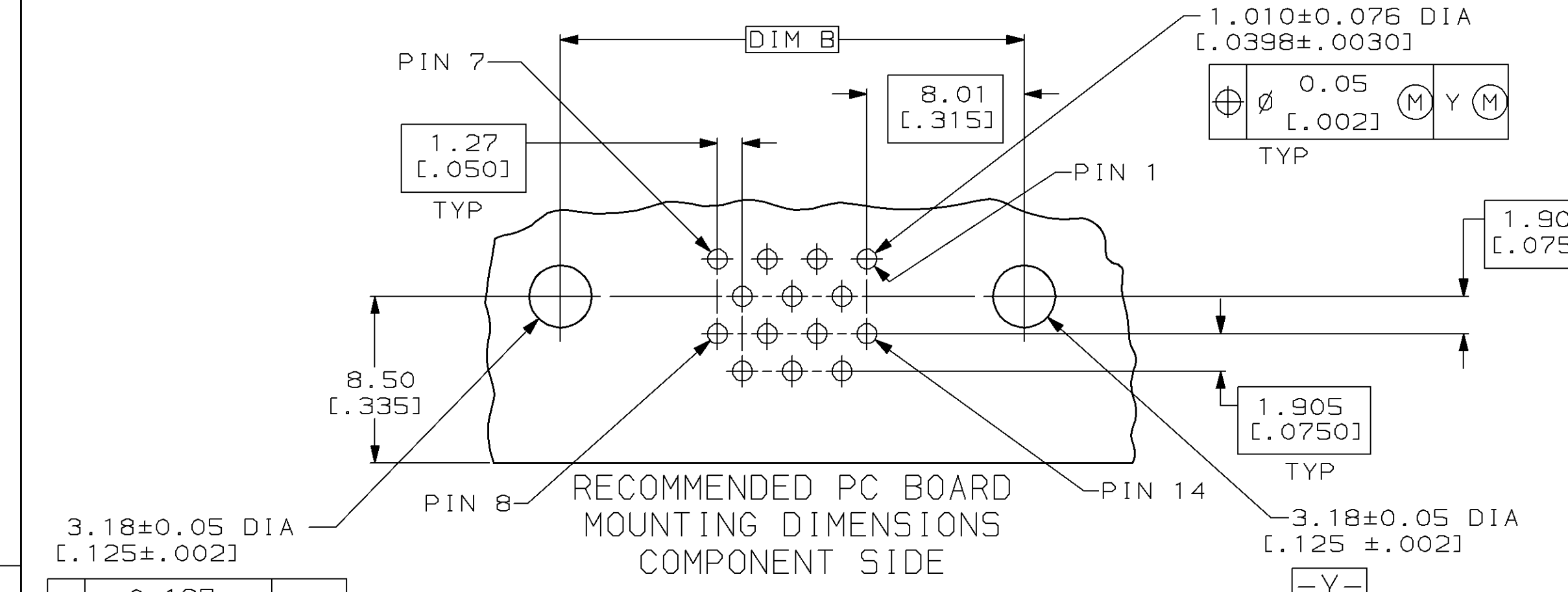
Tel: +86-755-8981 8866 Fax: +86-755-8427 6832

Email & Skype: info@chipsmall.com Web: www.chipsmall.com

Address: A1208, Overseas Decoration Building, #122 Zhenhua RD., Futian, Shenzhen, China



| LOC | DIST | P | F | ZONE | LTR | DESCRIPTION | DATE | APPD |
|-----|------|---|---|------|-----|--------------------------------------|-----------|------|
| AR | 84 | | | | | | | |
| | | | | B | | REV; EC 014-9026-92 & 0210-47-93 | 2/25/93 | JHM |
| | | | | B1 | | REV PER EC 0020-562-93 | 05/10/93 | JS |
| | | | | C | | REV PER EC 0020-1517-93 | 12/17/93 | TS |
| | | | | D | | SUPSD -5 PER EC 0020-496-94 | 06/01/94 | TS |
| | | | | E | | REV PER EC 0020-1441-94 | 01/11/95 | ME |
| | | | | F | | REV PER EC 0020-0281-95 | 04/17/95 | DB |
| | | | | G | | OBS -2, -4, & -5 PER EC 0020-0787-95 | 26 JUL 95 | JS |
| | | | | H | | OBS -1 PER EC 0410-174-96 | 19 AUG 97 | DB |
| | | | | J | | REV PER EC 0410-305-97 | 21 AUG 97 | DB |



- △ MATERIALS:
 HOUSING AND TINE PLATE - GLASS FILLED LCP, BLACK.
 CONTACTS - 0.3175[.01250] THICK PHOSPHOR BRONZE, PLATED ALL OVER WITH NICKEL, SEE TABLE FOR MINIMUM THICKNESS, GOLD PLATE IN CONTACT AREA SEE TABLE FOR MINIMUM THICKNESS, AND TIN-LEAD PLATED 3.81µm [.000150] MINIMUM THICK ON SOLDER TINES.
 SHIELD - 0.46 [.018] THICK CARBON STEEL PLATED 5.08µm [.000200] MINIMUM NICKEL OVER 0.64µm [.000025] MINIMUM COPPER.
 LATCH RECEIVER - STAINLESS STEEL 0.635 [.0250] THICK.
2. 14 POSITION SHOWN.
 △ PACKAGED 19 PER TUBE.
 △ OBSOLETE PART NUMBER.

| F | E | D | C | B | A | POSITION | GOLD PLATING | NICKEL PLATING | PART NO |
|---------------|--|-------------------------|------------------------|---------------|-------------------------|----------|------------------|------------------|------------|
| 20.15 [0.793] | 6.30±0.05 [.248±.002] | 29.54±0.13 [1.163±.005] | 12.60±0.13 [.496±.005] | 23.64 [.931] | 19.75±0.10 [.778±.004] | 14 | 0.76µm [.000030] | 1.27µm [.000050] | 557153-5 △ |
| | | | | | | | 1.27µm [.000050] | 2.45µm [.000098] | 557153-4 △ |
| | | | | | | | 0.76µm [.000030] | 1.27µm [.000050] | 557153-3 |
| 27.77 [1.093] | 6.30 ^{+0.10} _{-0.05} [.248 ^{+.004} _{-.002}] | 37.16±0.13 [1.463±.005] | 20.22±0.13 [.796±.005] | 31.26 [1.231] | 27.30±0.10 [1.075±.004] | 26 | 1.27µm [.000050] | 2.45µm [.000098] | 557153-2 △ |
| | | | | | | | 0.76µm [.000030] | 1.27µm [.000050] | 557153-1 △ |

| | | | |
|---|--|---|--|
| DO NOT SCALE PRINT. UNLESS SPECIFIED DIMENSIONS IN mm [INCHES] TOLERANCES ON: 2 PLC DEC ± - 3 PLC DEC ± - ANGLES ± - | DR 9/13/91 JOEL HAROLD WOOTEN CHK 3-3-92 B. FOX APPD 3-3-92 D. WOLLA APPD 3/4/92 E. MARSH PRODUCT SPEC - | AMP AMP Incorporated Harrisburg, PA 17105-3608 | |
| MATERIAL △ | APPLICATION SPEC | NAME | RECEPTACLE ASSEMBLY, RIGHT ANGLE, SHIELDED, CHAMP™ .050, SERIES 11 |
| FINISH △ | WEIGHT - | SIZE D | CAGE CODE 00779 |
| | | DRAWING NO | ©-557153 |
| | | SCALE | 4:1 |
| | | SHEET | 1 OF 1 |

THIS DRAWING IS A CONTROLLED DOCUMENT FOR AMP INCORPORATED. IT IS SUBJECT TO CHANGE AND THE CONTROLLING ENGINEERING ORGANIZATION SHOULD BE CONTACTED FOR THE LATEST REVISION.