



Chipsmall Limited consists of a professional team with an average of over 10 year of expertise in the distribution of electronic components. Based in Hongkong, we have already established firm and mutual-benefit business relationships with customers from,Europe,America and south Asia,supplying obsolete and hard-to-find components to meet their specific needs.

With the principle of “Quality Parts,Customers Priority,Honest Operation,and Considerate Service”,our business mainly focus on the distribution of electronic components. Line cards we deal with include Microchip,ALPS,ROHM,Xilinx,Pulse,ON,Everlight and Freescale. Main products comprise IC,Modules,Potentiometer,IC Socket,Relay,Connector.Our parts cover such applications as commercial,industrial, and automotives areas.

We are looking forward to setting up business relationship with you and hope to provide you with the best service and solution. Let us make a better world for our industry!



Contact us

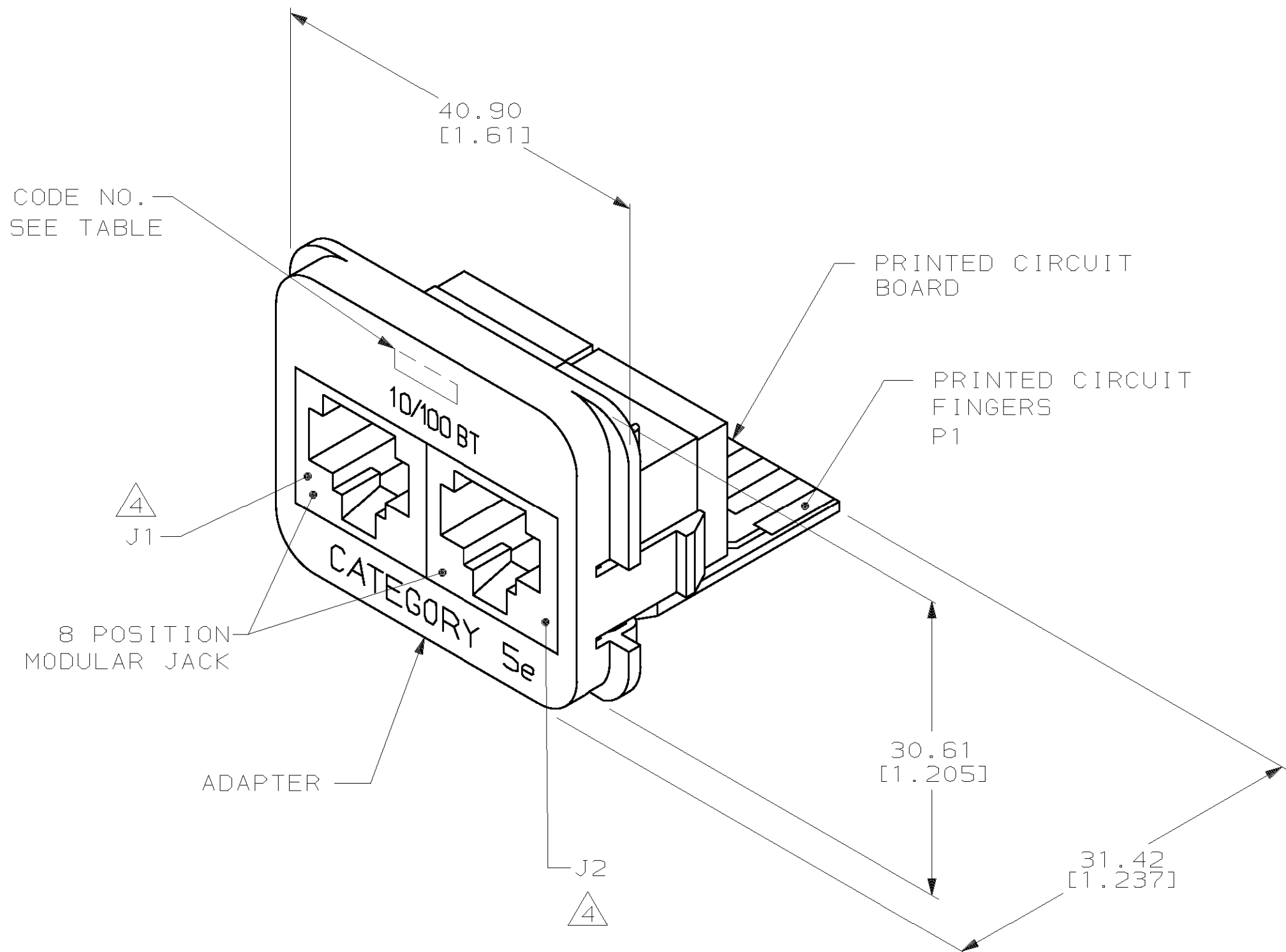
Tel: +86-755-8981 8866 Fax: +86-755-8427 6832

Email & Skype: info@chipsmall.com Web: www.chipsmall.com

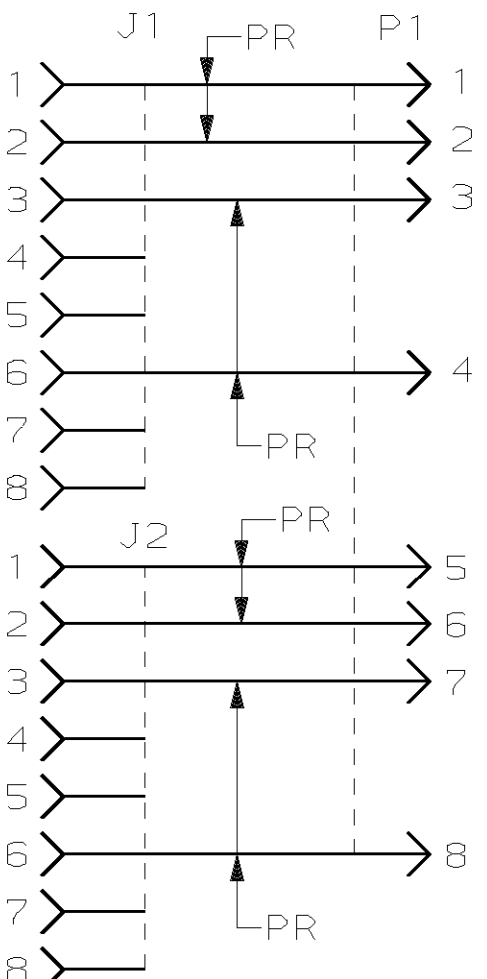
Address: A1208, Overseas Decoration Building, #122 Zhenhua RD., Futian, Shenzhen, China



LOC		DIST		REVISIONS				DATE	APPD
ZONE	LTR	DESCRIPTION	DATE	APPD					
HM	00			D	REV; EC 0B40-0292-00	05JAN01	GG	MD	



- 1 DIMENSIONS ARE MAXIMUM.
- 2 MATERIAL: PRINTED CIRCUIT BOARD- LAMINATED PLASTIC SHEET, 1.57 [.062] THICK. ADAPTER-ABS MOLDING COMPOUND, SEE TABLE. PRINTED CIRCUIT FINGERS-0.51µm [.000020] MINIMUM GOLD PLATE OVER 1.27µm [.000050] MINIMUM NICKEL PLATE.
- 3. THIS INSERT IS DESIGNED TO MATE WITH AMP INC. EDGE CONNECTOR KIT AND WALLBOX KITS.
- 4 THIS INTERCONNECT MEETS THE REQUIREMENTS OF IEC 603-7.



ELECTRICAL SCHEMATIC

BLACK	280-6	IVORY	557280-6
BLACK	280-5	WHITE	557280-5
BLACK	280-4	NEMA GRAY	557280-4
WHITE	280-3	BLACK	557280-3
BLACK	280-1	LIGHT ALMOND	557280-1
MARKINGS COLOR	CODE NO.	ADAPTER COLOR	PART NO

DO NOT SCALE PRINT. UNLESS SPECIFIED DIMENSIONS IN mm [INCHES] TOLERANCES ON : 2 PLC DEC ± - 3 PLC DEC ± - ANGLES ± -	DR 5-10-93 C.YATES	AMP Incorporated Harrisburg, PA 17105-3608		
	CHK 5-13-93 C.WHITT			NAME
MATERIAL	APPD 5-17-93 J.R.SCHLUNZ	INSERT ASSEMBLY, DUAL, RJ45, 10/100BT, CATEGORY 5e, AMP COMMUNICATION OUTLET		
	APPD 5-17-93 B.YARBORO			PRODUCT SPEC
FINISH	APPLICATION SPEC	SIZE	CAGE CODE	DRAWING NO
		③	00779	③-557280
	WEIGHT -	SCALE	2:1	SHEET 1 OF 1

THIS DRAWING IS A CONTROLLED DOCUMENT FOR AMP INCORPORATED. IT IS SUBJECT TO CHANGE AND THE CONTROLLING ENGINEERING ORGANIZATION SHOULD BE CONTACTED FOR THE LATEST REVISION.