



Chipsmall Limited consists of a professional team with an average of over 10 year of expertise in the distribution of electronic components. Based in Hongkong, we have already established firm and mutual-benefit business relationships with customers from,Europe,America and south Asia,supplying obsolete and hard-to-find components to meet their specific needs.

With the principle of “Quality Parts,Customers Priority,Honest Operation,and Considerate Service”,our business mainly focus on the distribution of electronic components. Line cards we deal with include Microchip,ALPS,ROHM,Xilinx,Pulse,ON,Everlight and Freescale. Main products comprise IC,Modules,Potentiometer,IC Socket,Relay,Connector.Our parts cover such applications as commercial,industrial, and automotives areas.

We are looking forward to setting up business relationship with you and hope to provide you with the best service and solution. Let us make a better world for our industry!



Contact us

Tel: +86-755-8981 8866 Fax: +86-755-8427 6832

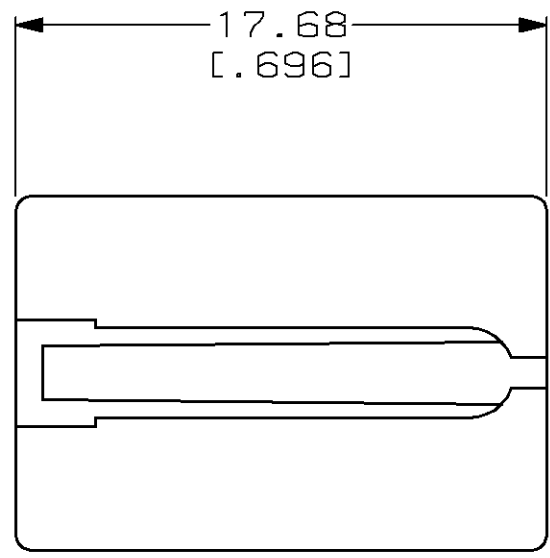
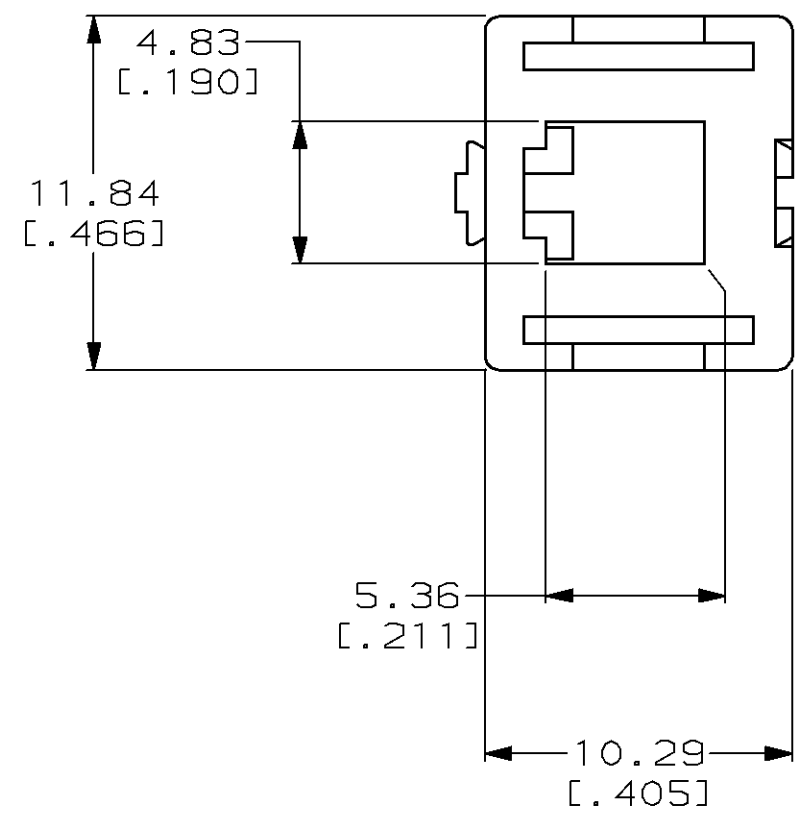
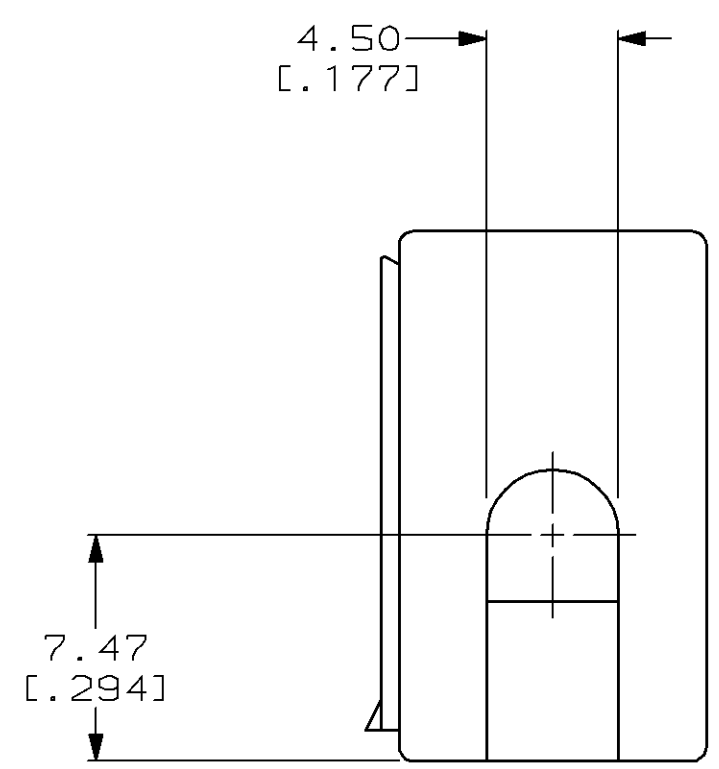
Email & Skype: info@chipsmall.com Web: www.chipsmall.com

Address: A1208, Overseas Decoration Building, #122 Zhenhua RD., Futian, Shenzhen, China



THIS DRAWING IS UNPUBLISHED. RELEASED FOR PUBLICATION, 19 .
 © COPYRIGHT 19 BY AMP INCORPORATED. ALL INTERNATIONAL RIGHTS RESERVED.

LOC	DIST	P	F	ZONE	LTR	DESCRIPTION	DATE	APPD
FT	60				0	RELEASED; NPR C91-76	1-18-92	SH
					A	REV PER EC 0320-68-97	06 MAR 97	MM



- △ MATERIAL: POLYCARBONATE MOLDING COMPOUND, BLACK.
- APPLICATION: USED TO MOUNT WIRE-TO-WIRE HOUSINGS BOTH IN THRU-PANEL AND HORIZONTAL TO PANEL MOUNTING APPLICATIONS.
 - DIMENSIONS MAXIMUM UNLESS OTHERWISE SPECIFIED.
 - REFER TO INSTRUCTION SHEET IS3277 FOR RECOMMENDED MOUNTING INSTRUCTIONS, HOLES AND HARDWARE.

557313-1
PART NO

DO NOT SCALE PRINT. UNLESS SPECIFIED DIMENSIONS IN mm [INCHES] TOLERANCES ON : 2 PLC DEC ± _____ 3 PLC DEC ± _____ ANGLES ± _____	DR 1-20-92 S. MAYBERRY	AMP Incorporated Harrisburg, PA 17105-3608		
	CHK			
MATERIAL	APPD	MOUNTING ADAPTER, WTW, AMPINNERGY™		
△	PRODUCT SPEC 108-1373			
FINISH	APPLICATION SPEC 114-6051	SIZE C	CAGE CODE 00779	DRAWING NO 557313
△	WEIGHT _____	SCALE 4:1	SHEET 1 OF 1	