

Chipsmall Limited consists of a professional team with an average of over 10 year of expertise in the distribution of electronic components. Based in Hongkong, we have already established firm and mutual-benefit business relationships with customers from,Europe,America and south Asia,supplying obsolete and hard-to-find components to meet their specific needs.

With the principle of “Quality Parts,Customers Priority,Honest Operation,and Considerate Service”,our business mainly focus on the distribution of electronic components. Line cards we deal with include Microchip,ALPS,ROHM,Xilinx,Pulse,ON,Everlight and Freescale. Main products comprise IC,Modules,Potentiometer,IC Socket,Relay,Connector.Our parts cover such applications as commercial,industrial, and automotives areas.

We are looking forward to setting up business relationship with you and hope to provide you with the best service and solution. Let us make a better world for our industry!



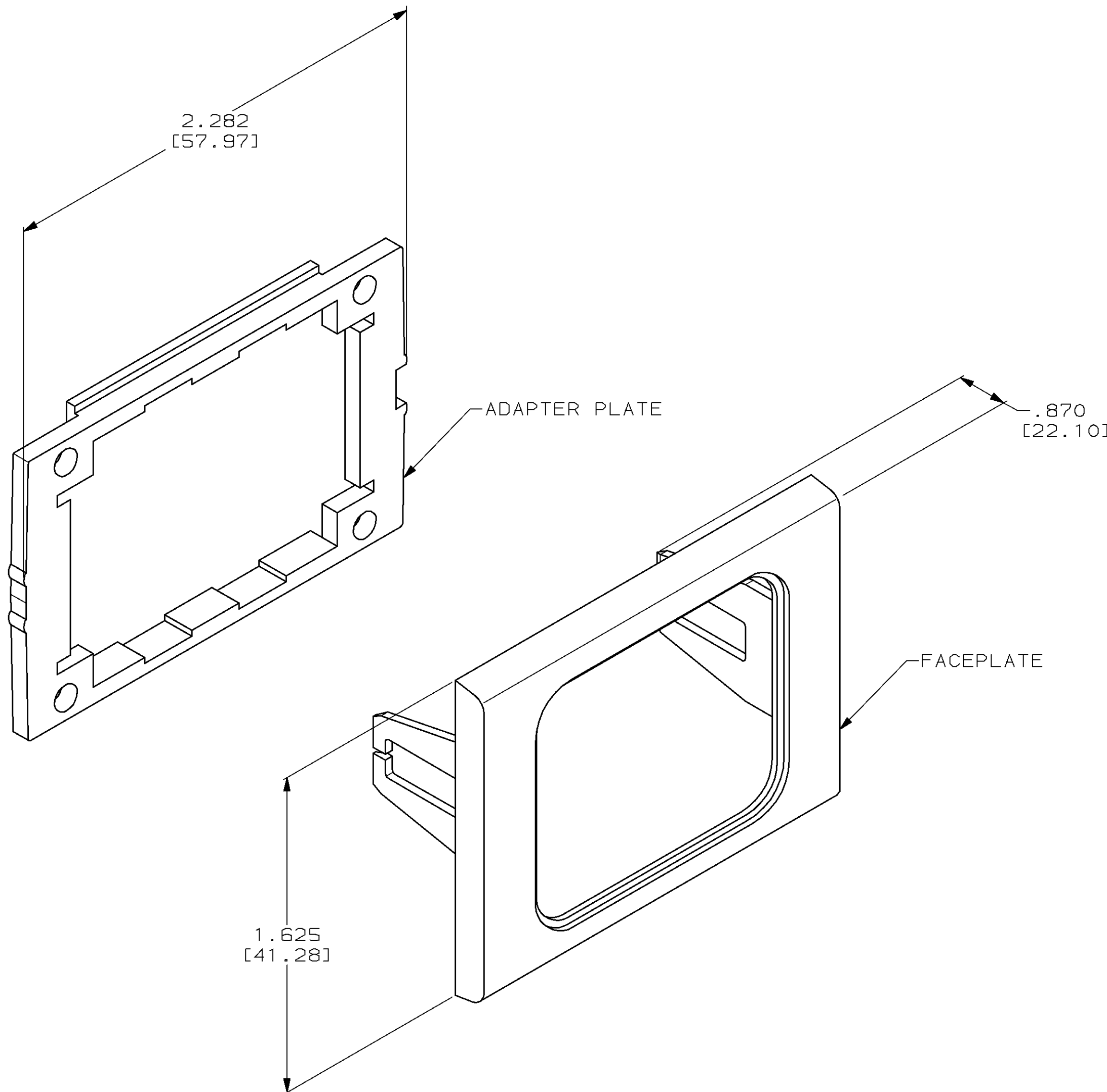
## Contact us

Tel: +86-755-8981 8866 Fax: +86-755-8427 6832

Email & Skype: info@chipsmall.com Web: www.chipsmall.com

Address: A1208, Overseas Decoration Building, #122 Zhenhua RD., Futian, Shenzhen, China

LOC		DIST		REVISIONS				
AA	28	P	F	ZONE	LTR	DESCRIPTION	DATE	APPD
				A		OBS: -2, -3; EC 0502-0269-96	22MAY97	05 AD



- 1. DIMENSIONS ARE MAXIMUM UNLESS OTHERWISE SPECIFIED.
- 2. DIMENSIONS IN BRACKETS [ ] ARE IN MILLIMETERS.
- 3. DESCRIPTION: INSERT KIT CONSISTS OF THE AMP COMMUNICATIONS OUTLET (ACO) FACEPLATE AND AN ADAPTER PLATE. THE CONNECTOR HOUSING AND CONNECTOR INSERTS ARE PURCHASED SEPARATELY. IT MATES EITHER TWISTED PAIR OR IBM TYPE WIRING.
- 4. MATERIAL: ABS MOLDING COMPOUND. 94V-0 RATED, SEE TABLE FOR COLOR.
- 5. FEATURES:
  - A) TOOLLESS WIRE TERMINATION.
  - B) RELIABLE GOLD-TO-GOLD CONTACT SYSTEM.
  - C) ACCEPTS UP TO 8 CONDUCTORS PER PORT.
  - D) COMPATIBLE WITH INDUSTRY STANDARD MOUNTING HARDWARE.
  - E) QUICK INSTALLATION.
  - F) EXPANDABLE AND ADAPTABLE TO FUTURE NEEDS.
- 6. APPROVALS: N/A
- 7. ELECTRICAL PARAMETERS: N/A
- 8. PACKAGING: AN ACO FACEPLATE AND AN ADAPTER PLATE ARE PACKAGED UNASSEMBLED IN A PRINTED POLYBAG.
- 9. MOUNTING: THE INSERT KIT SNAPS INTO THE SURFACE MOUNT OUTLET.
- 10. SHIPPING WEIGHT: 0.02 POUNDS PER KIT.

WAS 91-1800-14

557364

LIGHT ALMOND	557364-1
COLOR	PART NO

DO NOT SCALE PRINT. UNLESS SPECIFIED DIMENSIONS IN INCHES [mm] TOLERANCES ON : 2 PLC DEC ± 3 PLC DEC ± ANGLES ±	DR 5-21-92 M. MAYBERRY/UTA	AMP Incorporated Harrisburg, PA 17105-3608
	CHK 6-16-92 D. HUSSEY	
MATERIAL	APPD 6-16-92 S. PUCKETT	NAME
	APPD 6-16-92 M. MILLER	INSERT KIT, ACO FACEPLATE AND ADAPTER, SURFACE MOUNT OUTLET
FINISH	APPLICATION SPEC	SIZE
		CAGE CODE
		DRAWING NO
		557364
		SCALE
		2:1
		SHEET
		1 OF 1

**CAD DRAWINGS**  
 THIS DRAWING WAS CREATED ON A COMPUTER AIDED DESIGN (CAD) SYSTEM. TO INSURE THE INTEGRITY OF THE DATA BASE ALL CHANGES/ REVISIONS MUST BE MADE ON THE CAD SYSTEM.