



Chipsmall Limited consists of a professional team with an average of over 10 year of expertise in the distribution of electronic components. Based in Hongkong, we have already established firm and mutual-benefit business relationships with customers from,Europe,America and south Asia,supplying obsolete and hard-to-find components to meet their specific needs.

With the principle of “Quality Parts,Customers Priority,Honest Operation,and Considerate Service”,our business mainly focus on the distribution of electronic components. Line cards we deal with include Microchip,ALPS,ROHM,Xilinx,Pulse,ON,Everlight and Freescale. Main products comprise IC,Modules,Potentiometer,IC Socket,Relay,Connector.Our parts cover such applications as commercial,industrial, and automotives areas.

We are looking forward to setting up business relationship with you and hope to provide you with the best service and solution. Let us make a better world for our industry!



Contact us

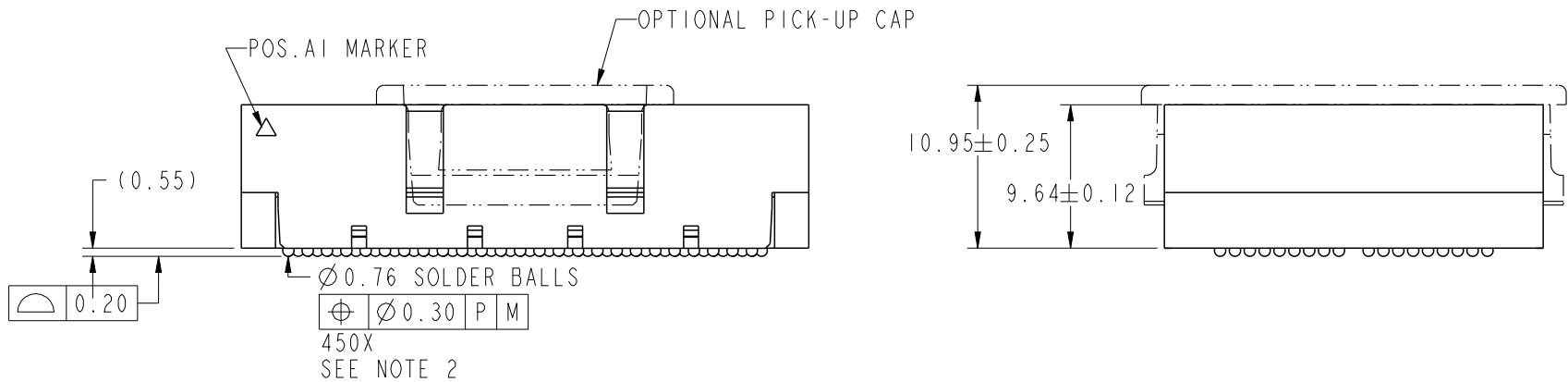
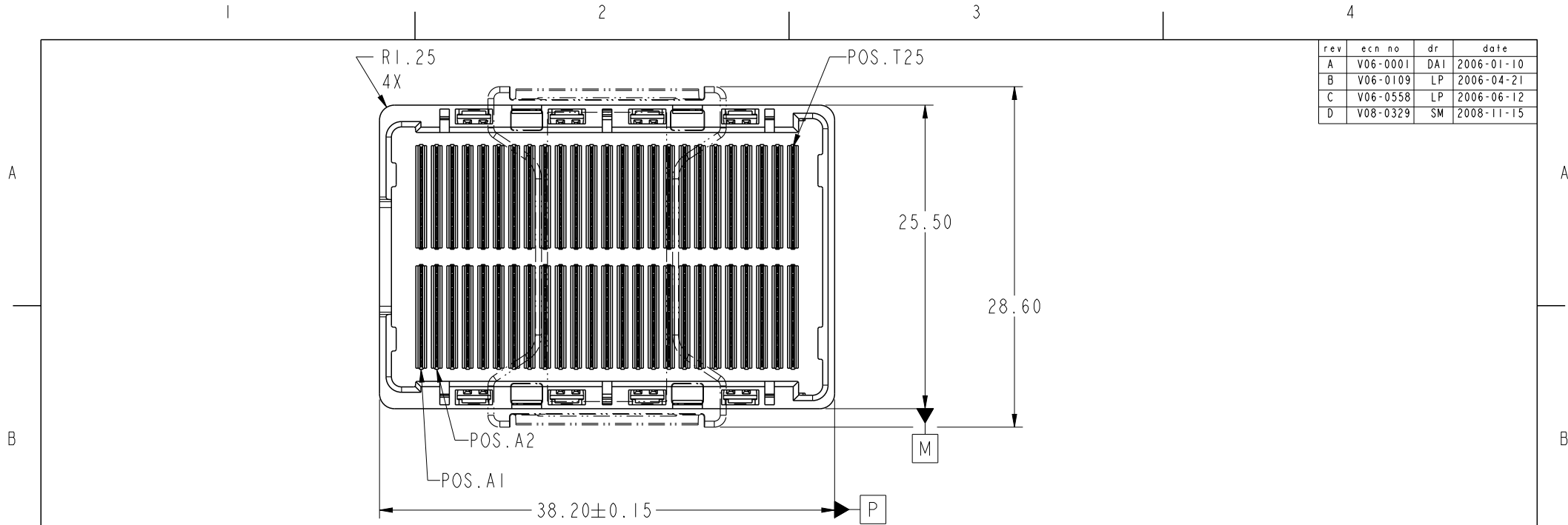
Tel: +86-755-8981 8866 Fax: +86-755-8427 6832

Email & Skype: info@chipsmall.com Web: www.chipsmall.com

Address: A1208, Overseas Decoration Building, #122 Zhenhua RD., Futian, Shenzhen, China



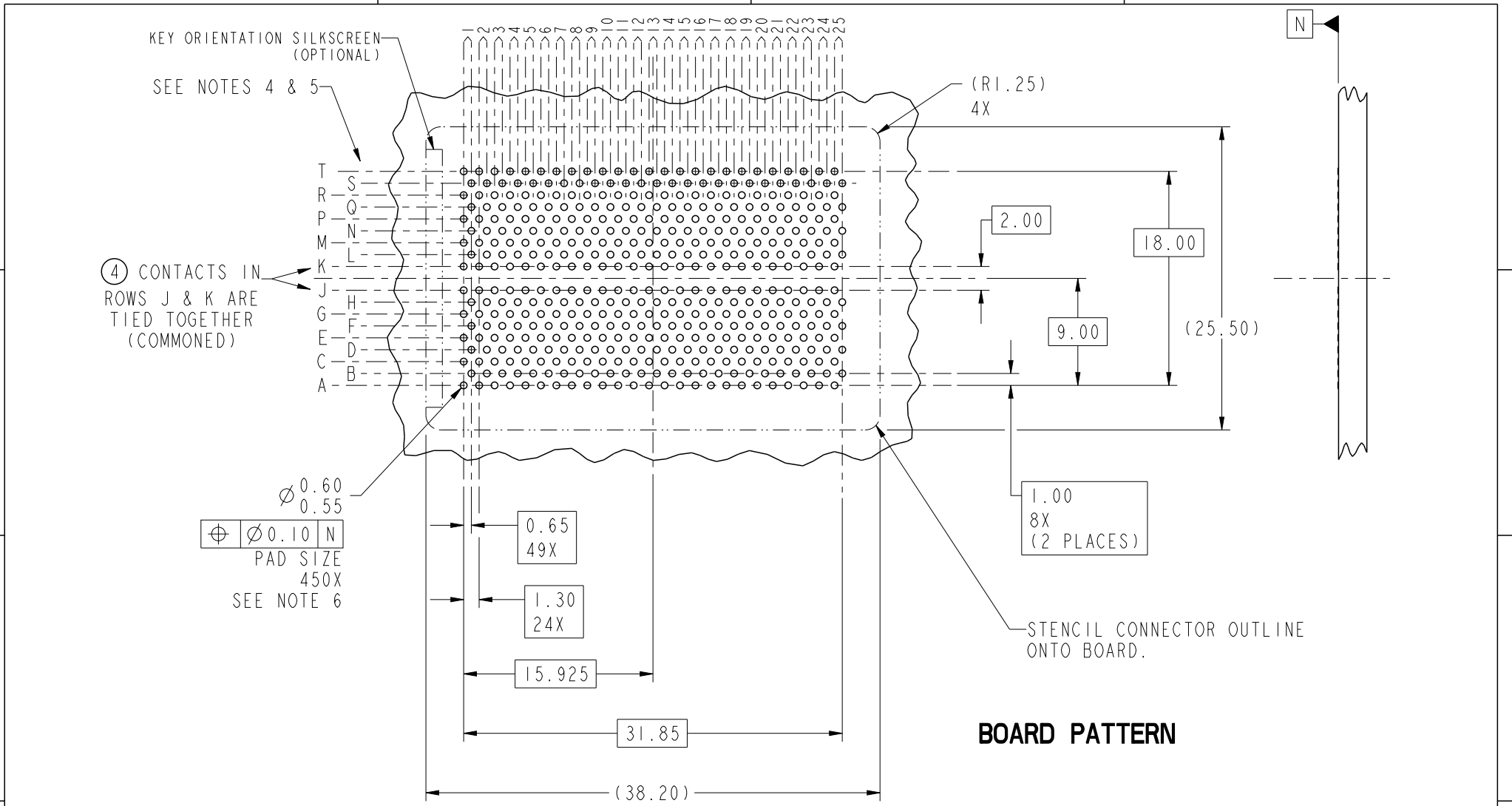
rev	ecn no	dr	date
A	V06-0001	DAI	2006-01-10
B	V06-0109	LP	2006-04-21
C	V06-0558	LP	2006-06-12
D	V08-0329	SM	2008-11-15



spec ref	-	dr	Bill Lin	2010/02/02	projection	mm	size	A4	scale	3:10																							
tolerance std	ASME Y14.5	eng	Nickor Zuo	2011/06/09			ecn no	ELX-DG-003943-1																									
	TOLERANCES UNLESS OTHERWISE SPECIFIED	chr	Alex Cao	2011/06/24				product family	GIG-Array		rel level	Released																					
surface	<table border="1"> <tr> <td>linear</td> <td>0.X</td> <td>±0.30</td> </tr> <tr> <td></td> <td>0.XX</td> <td>±0.10</td> </tr> <tr> <td></td> <td>0.XXX</td> <td>±0.05</td> </tr> <tr> <td>angular</td> <td>0°</td> <td>±2°</td> </tr> </table>	linear	0.X	±0.30		0.XX	±0.10		0.XXX	±0.05	angular	0°	±2°	appr	Pei-Ming Zheng	2011/06/27			<table border="1"> <tr> <td>title</td> <td>GIG-Array</td> </tr> <tr> <td>part no</td> <td>10mm PLUG ASSY. 200 SIG. POS.</td> </tr> <tr> <td>cat. no.</td> <td></td> </tr> </table>	title	GIG-Array	part no	10mm PLUG ASSY. 200 SIG. POS.	cat. no.		<table border="1"> <tr> <td>dwg no</td> <td>55737</td> </tr> <tr> <td>rev</td> <td>E</td> </tr> </table>	dwg no	55737	rev	E	Product - Customer Drw		sheet 1 of 5
linear	0.X	±0.30																															
	0.XX	±0.10																															
	0.XXX	±0.05																															
angular	0°	±2°																															
title	GIG-Array																																
part no	10mm PLUG ASSY. 200 SIG. POS.																																
cat. no.																																	
dwg no	55737																																
rev	E																																



Copyright FCI.

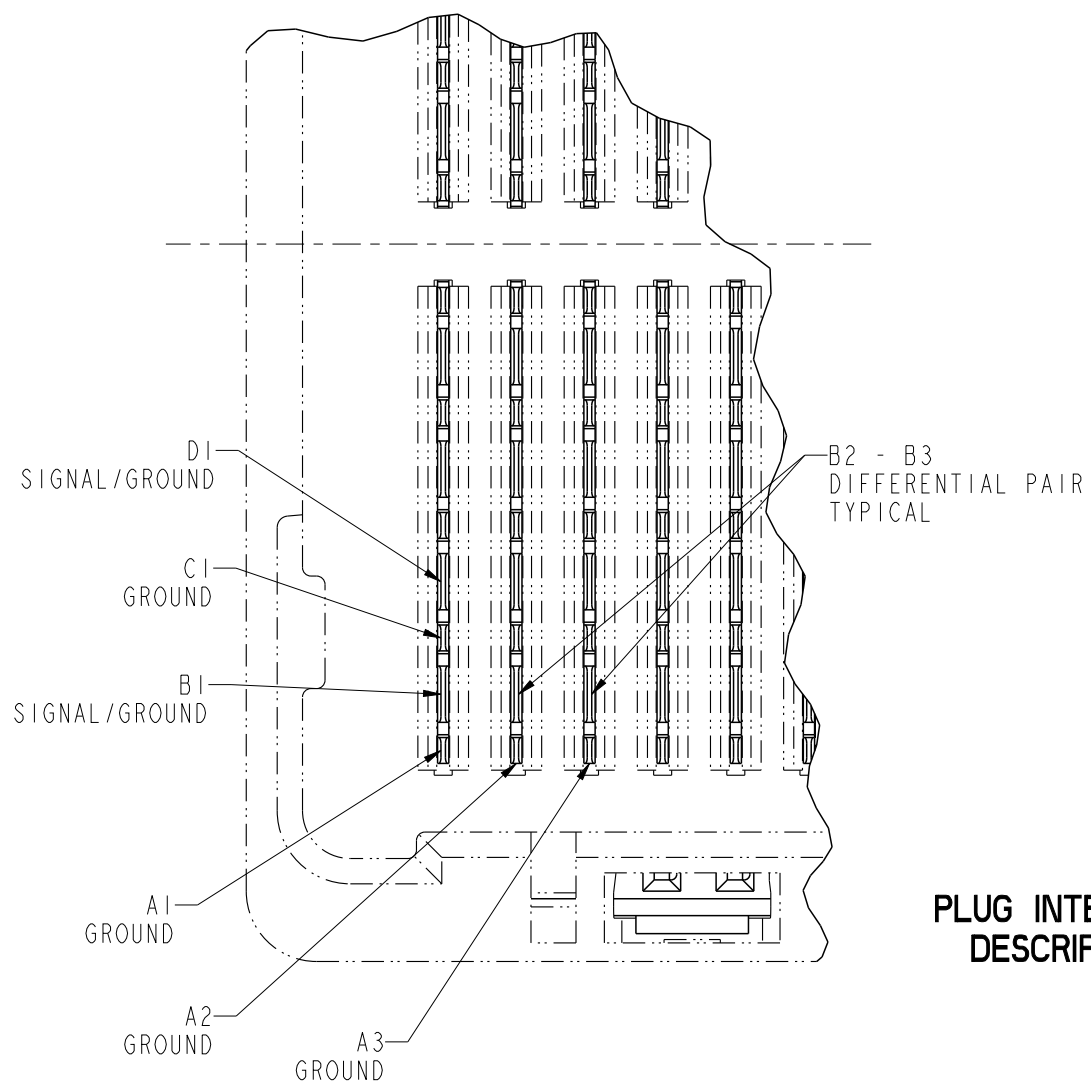


spec ref	-	dr	Bill Lin	2010/02/02	projection	mm	size	A4	scale	21:10											
tolerance std	TOLERANCES UNLESS OTHERWISE SPECIFIED	eng	Nickor Zuo	2011/06/09				ecn no		ELX-DG-003943-1											
ASME Y14.5		chr	Alex Cao	2011/06/24				rel level		Released											
surface	<table border="1"> <tr> <td>linear</td> <td>0.X</td> <td>±0.30</td> </tr> <tr> <td></td> <td>0.XX</td> <td>±0.10</td> </tr> <tr> <td></td> <td>0.XXX</td> <td>±0.05</td> </tr> <tr> <td>angular</td> <td>0°</td> <td>±2°</td> </tr> </table>	linear	0.X	±0.30		0.XX	±0.10		0.XXX	±0.05	angular	0°	±2°	appr	Pei-Ming Zheng	2011/06/27	product family	GIG-Array		rev	E
linear	0.X	±0.30																			
	0.XX	±0.10																			
	0.XXX	±0.05																			
angular	0°	±2°																			
				title GIG-Array 10mm PLUG ASSY. 200 SIG. POS.		dwg no 55737		sheet 2 of 5													
		www.fci.com		cat. no.		Product - Customer Drw		sheet 2 of 5													

ProjE File - REV C - 2009-06-09



Copyright FCI.

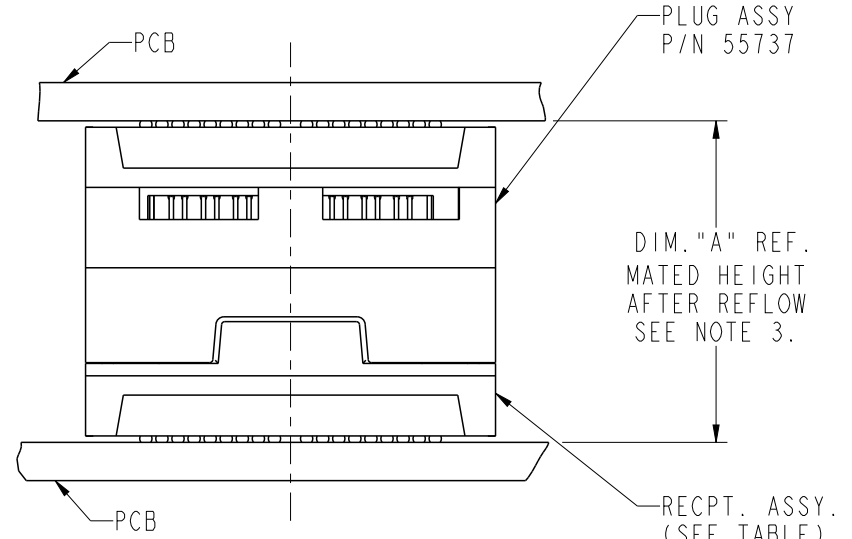
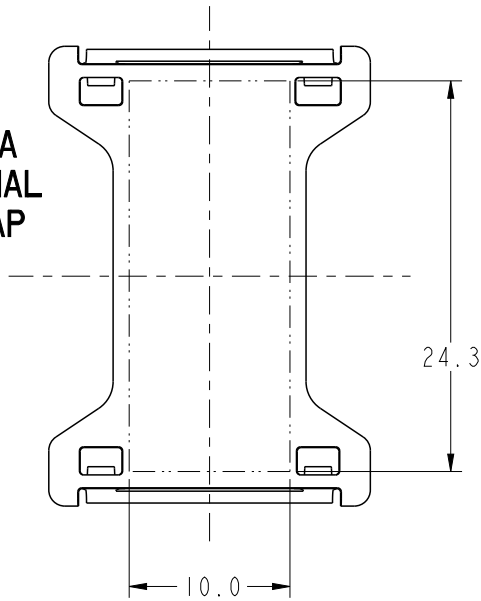


PLUG INTERFACE DESCRIPTION

spec ref		-		dr	Bill Lin	2010/02/02	projection 	mm 	size	A4	scale	3:10	
tolerance std	ASME Y14.5	TOLERANCES UNLESS OTHERWISE SPECIFIED		eng	Nickor Zuo	2011/06/09			ecn no	ELX-DG-003943-1			
				chr	Alex Cao	2011/06/24							
-		-		appr	Pei-Ming Zheng	2011/06/27	product family	GIG-Array		rel level	Released		
surface	✓	linear	0.X	±0.30		title	GIG-Array		dwg no	55737		rev	E
			0.XX	±0.10									
-		angular	0°	±2°	www.fci.com	cat. no.	Product - Customer Drw		sheet 3 of 5				
-			0°	±2°									

PreE File - REV C - 2009-06-09

FLAT AREA
FOR OPTIONAL
PICK-UP CAP



END VIEW OF MATED CONNECTORS

DIM. "A"	RECPT. ASSY. P/N
15	55740
20	10026010
25	55741



Copyright FCI.

spec ref		-		dr	Bill Lin	2010/02/02	projection 	mm 	size	A4	scale	3:10
tolerance std	ASME Y14.5	TOLERANCES UNLESS OTHERWISE SPECIFIED		eng	Nickor Zuo	2011/06/09			ecn no	ELX-DG-003943-1		
				chr	Alex Cao	2011/06/24				rel level	Released	
surface		linear	0.X	±0.30	FCI 	title	GIG-Array	dwg no	55737	rev	E	
			0.XX	±0.10								
		0.XXX	±0.05									
		angular	0°	±2°	www.fci.com	cat. no.	Product - Customer Drw	sheet 4 of 5				

PRODUCT NUMBER	SOLDER BALL COMPOSITION	CONTACT PLATING PERFORMANCE LEVEL
55737-001	STANDARD (EUTECTIC)	PERFORMANCE-BASED PLATING, QUALIFIED TO MEET THE REQUIREMENTS OF FCI PRODUCT SPECIFICATION GS-12-192, INCLUDING TELCORDIA CENTRAL OFFICE Au over Ni
55737-001LF	LEADFREE	
55737-201	STANDARD (EUTECTIC)	
55737-201LF	LEADFREE	

NOTES:

- ① MAT'L:
HOUSING: LCP
CONTACT: COPPER ALLOY
PLATING (CONTACT): Au OVER Ni.
UL RATING: 94 V-0
SOLDERBALL: (SEE TABLE) EUTECTIC
SnPb OR LEAD FREE 95.5 Sn/4Ag/0.5Cu.
- ② SOLDER BALLS WILL NOT BE PERFECT SPHERICAL SHAPE DUE TO REFLOW ATTACHMENT.
- ③ MATED HEIGHT EFFECTED BY CUSTOMERS' PCB PAD SIZE, PLATING, SOLDER REFLOW PROFILE & SOLDER PASTE.
- ④ CONTACTS IN ROWS A,C,E,G,J,K,M,P,R AND T ARE SINGLE BEAM CONTACTS, TYPICALLY USED AS GROUND PINS.
(NOTE: CONTACTS IN ROWS J & K ARE TIED TOGETHER [COMMONED])
- ⑤ CONTACTS IN ROWS B,D,F,H,L,N,Q AND S ARE DUAL BEAM CONTACTS, TYPICALLY USED AS SIGNAL PINS.

- ⑥ SPECIFIED POSITIONAL TOLERANCE DEFINES PAD TO PAD LOCATION WITHIN LAND PATTERN. POSITIONAL TOLERANCE OF LAND PATTERN TO FUDICIAL MARKS OR PCB DATUMS SHALL BE DEFINED BY CUSTOMER. FOR RECOMMENDED PRODUCT APPLICATION AND PCB DESIGN DETAILS, SEE DOC. NO. GS-20-016.
- ⑦ FOR PROPER APPLICATION FOLLOW FCI APPLICATION SPECIFICATION GS-20-033. LEAD FREE SOLDER BALLS WILL NOT SOLDER PROPERLY IN A LEADED SOLDER PROCESS DUE TO A HIGHER REFLOW TEMPERATURE. LEADFREE PRODUCT IS THEREFORE NOT BACKWARDS COMPATIBLE WITH LEADED OR SOME SOLDERING APPLICATIONS. REFERENCE FCI APPLICATION SPECIFICATION.
- ⑧ THIS PRODUCT MEETS THE EUROPEAN UNION DIRECTIVES AND OTHER COUNTRY REGULATIONS AS DESCRIBED IN GS-22-008. PRODUCT MEETING THIS DIRECTIVE IS IDENTIFIED IN THE CODE NUMBER MARKED ON EACH PART BY HAVING AN "X" IN THE SEVENTH CHARACTER POSTION.

spec ref	-	dr	Bill Lin	2010/02/02	projection 	mm 	size	A4	scale	3:10
tolerance std	TOLERANCES UNLESS OTHERWISE SPECIFIED	eng	Nickor Zuo	2011/06/09			ecn no	ELX-DG-003943-1		
ASME Y14.5		chr	Alex Cao	2011/06/24				rel level	Released	
surface	linear	appr	Pei-Ming Zheng	2011/06/27	product family	GIG-Array		rev	E	
-		angular	0°	±2°	www.fci.com	cat. no.	Product - Customer Drw			sheet 5 of 5
		FCI		title		GIG-Array		dwg no		55737
						10mm PLUG ASSY. 200 SIG. POS.				



Copyright FCI.