



Chipsmall Limited consists of a professional team with an average of over 10 year of expertise in the distribution of electronic components. Based in Hongkong, we have already established firm and mutual-benefit business relationships with customers from,Europe,America and south Asia,supplying obsolete and hard-to-find components to meet their specific needs.

With the principle of "Quality Parts,Customers Priority,Honest Operation,and Considerate Service",our business mainly focus on the distribution of electronic components. Line cards we deal with include Microchip,ALPS,ROHM,Xilinx,Pulse,ON,Everlight and Freescale. Main products comprise IC,Modules,Potentiometer,IC Socket,Relay,Connector.Our parts cover such applications as commercial,industrial, and automotives areas.

We are looking forward to setting up business relationship with you and hope to provide you with the best service and solution. Let us make a better world for our industry!



Contact us

Tel: +86-755-8981 8866 Fax: +86-755-8427 6832

Email & Skype: info@chipsmall.com Web: www.chipsmall.com

Address: A1208, Overseas Decoration Building, #122 Zhenhua RD., Futian, Shenzhen, China

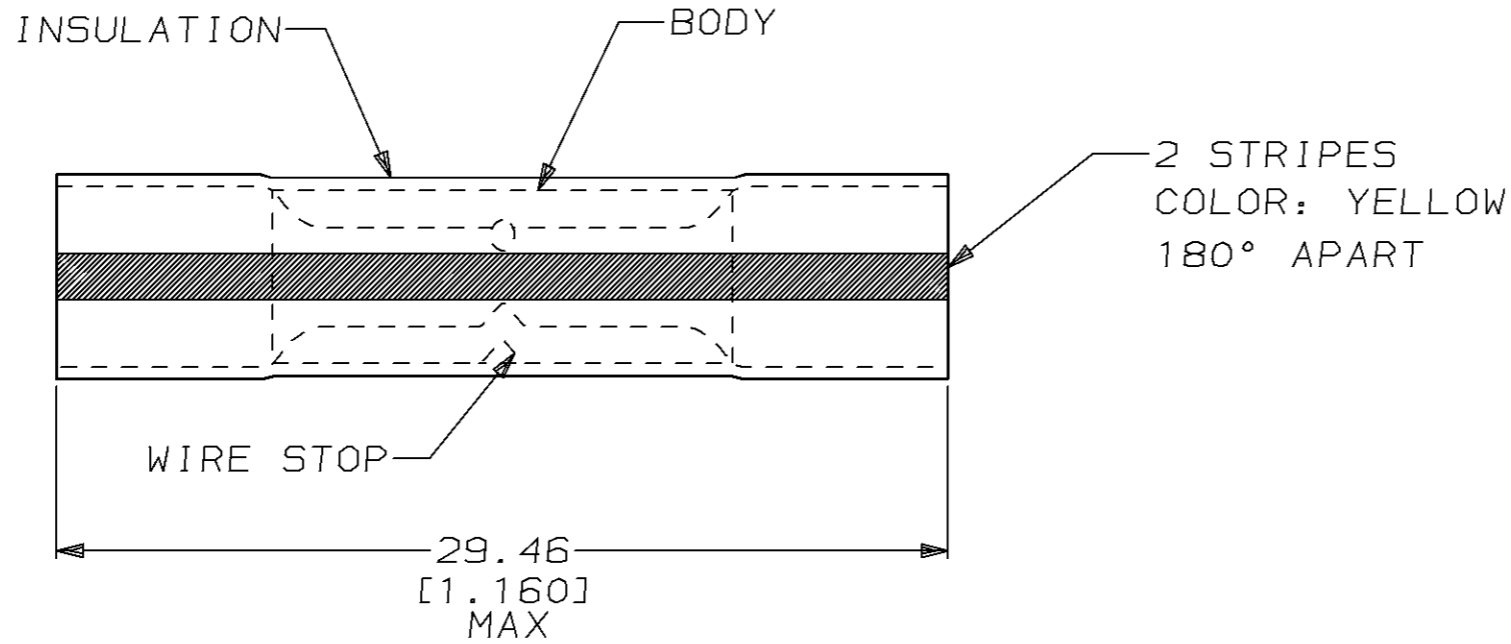


THIS DRAWING IS UNPUBLISHED. RELEASED FOR PUBLICATION, 19 .
 © COPYRIGHT 19 BY AMP INCORPORATED. ALL INTERNATIONAL RIGHTS RESERVED.

| LOC | DIST | P | F | ZONE | LTR | REVISIONS | DATE | APPD |
|-----|------|---|---|------|-----|--------------------|---------|-------|
| G | 14 | | | | E | REV / 0720-0612-95 | 31MAY95 | ME SB |

| PART NO | PACKAGE TYPE | QTY |
|-----------|------------------|-----|
| 8-55793-2 | LOOSE PIECE, BOX | 50 |
| 8-55793-4 | LOOSE PIECE, BLS | 5 |
| 9-55793-4 | LOOSE PIECE, BLS | 25 |

1. WIRE INSUL DIA, 3.81-6.35 [.150-.230]



| 1500 | ON TAPE, REEL | BODY, COPPER PER ASTM B-152 TIN PL 0.00254 [.000100] MIN THK PER MIL-T-10727 | 55793-2 |
|--|---------------|--|--|
| 500 | LOOSE PIECE | INSULATION, VINYL COLOR, TRANSPARENT | 55793-1 |
| QTY | PACKAGE TYPE | MATERIAL & FINISH | PART NO |
| DO NOT SCALE PRINT. UNLESS SPECIFIED DIMENSIONS IN mm [INCHES] TOLERANCES ON: 2 PLC DEC ± - 3 PLC DEC ± - ANGLES ± - | | DR 10/8/90 DK SCHRUM CHK 10/9/90 MS FEHER APPD 10/10/90 PJ RUELIUS APPD 10/12/90 M BARNABA PRODUCT SPEC UL 486A | AMP AMP Incorporated Harrisburg, PA 17105-3608 NAME SPLICE, BUTT, PLASTI-GRIP™ WIRE SIZE, 12-10 AWG |
| MATERIAL SEE TABLE | | APPLICATION SPEC - | |
| FINISH SEE TABLE | | WEIGHT - | SIZE B CAGE CODE 00779 DRAWING NO C=55793 SCALE 4:1 SHEET 1 OF 1 |

THIS DRAWING IS A CONTROLLED DOCUMENT FOR AMP INCORPORATED. IT IS SUBJECT TO CHANGE AND THE CONTROLLING ENGINEERING ORGANIZATION SHOULD BE CONTACTED FOR THE LATEST REVISION.