



Chipsmall Limited consists of a professional team with an average of over 10 year of expertise in the distribution of electronic components. Based in Hongkong, we have already established firm and mutual-benefit business relationships with customers from,Europe,America and south Asia,supplying obsolete and hard-to-find components to meet their specific needs.

With the principle of "Quality Parts,Customers Priority,Honest Operation,and Considerate Service",our business mainly focus on the distribution of electronic components. Line cards we deal with include Microchip,ALPS,ROHM,Xilinx,Pulse,ON,Everlight and Freescale. Main products comprise IC,Modules,Potentiometer,IC Socket,Relay,Connector.Our parts cover such applications as commercial,industrial, and automotives areas.

We are looking forward to setting up business relationship with you and hope to provide you with the best service and solution. Let us make a better world for our industry!



Contact us

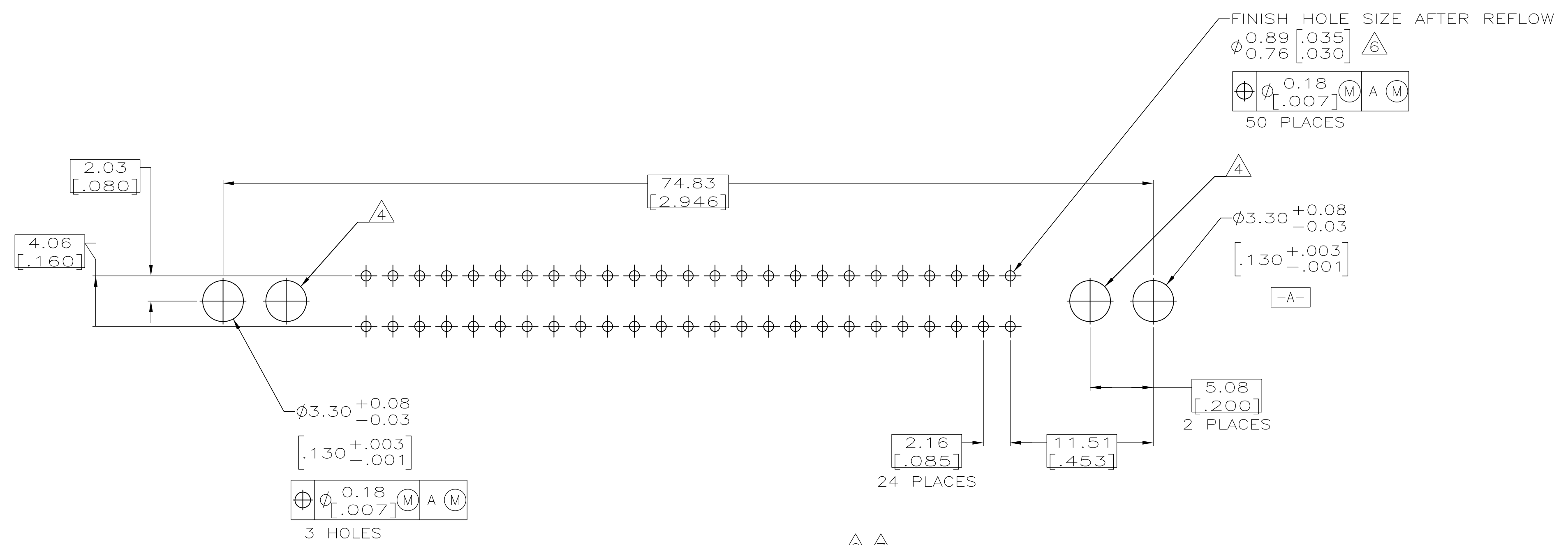
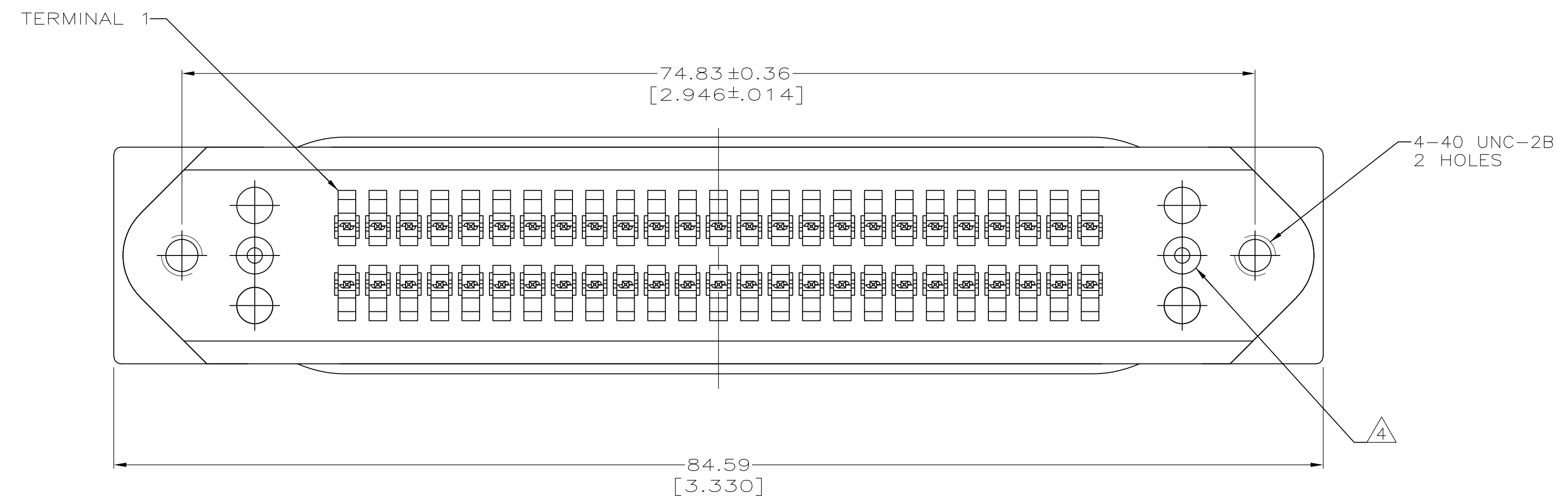
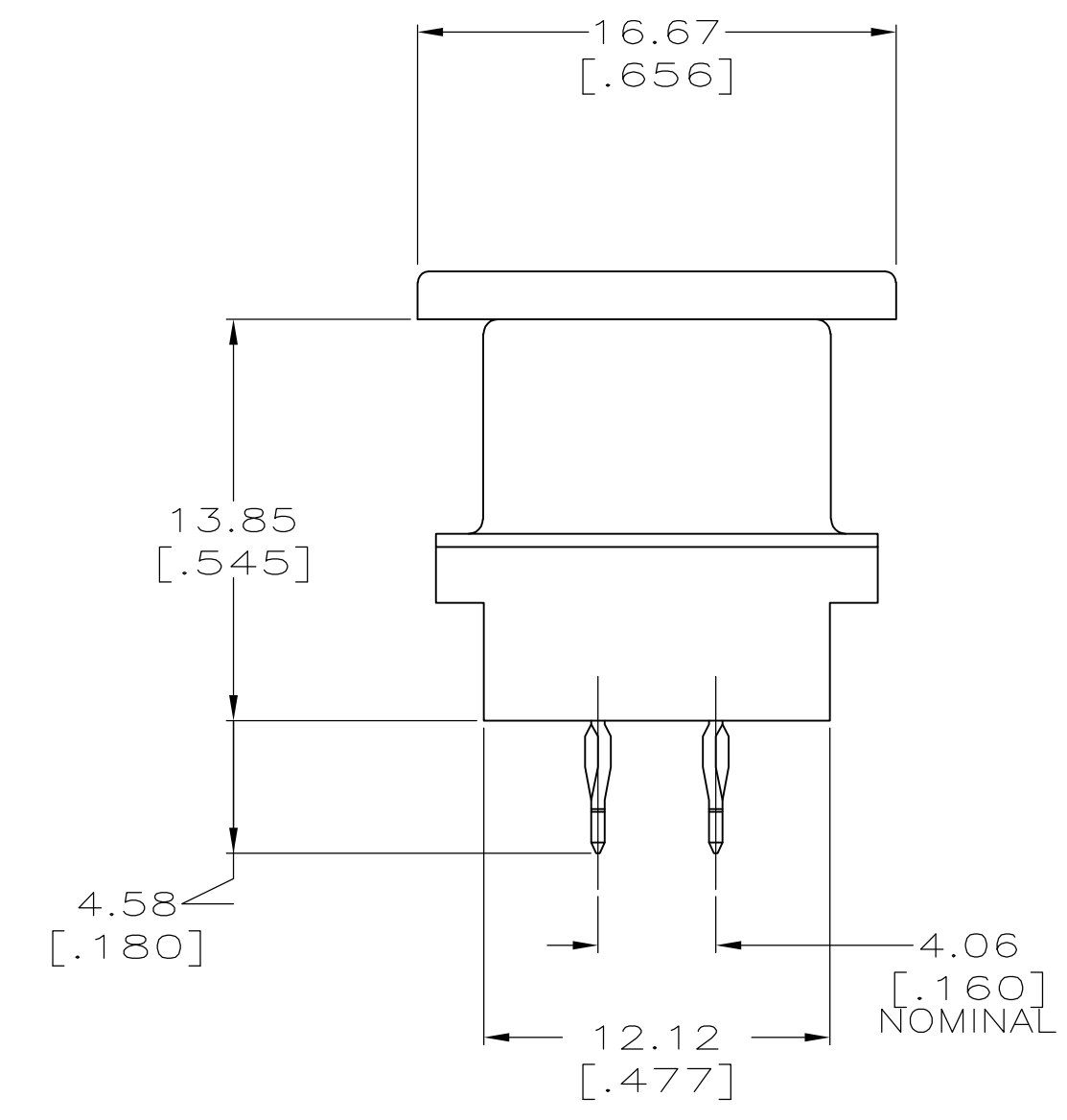
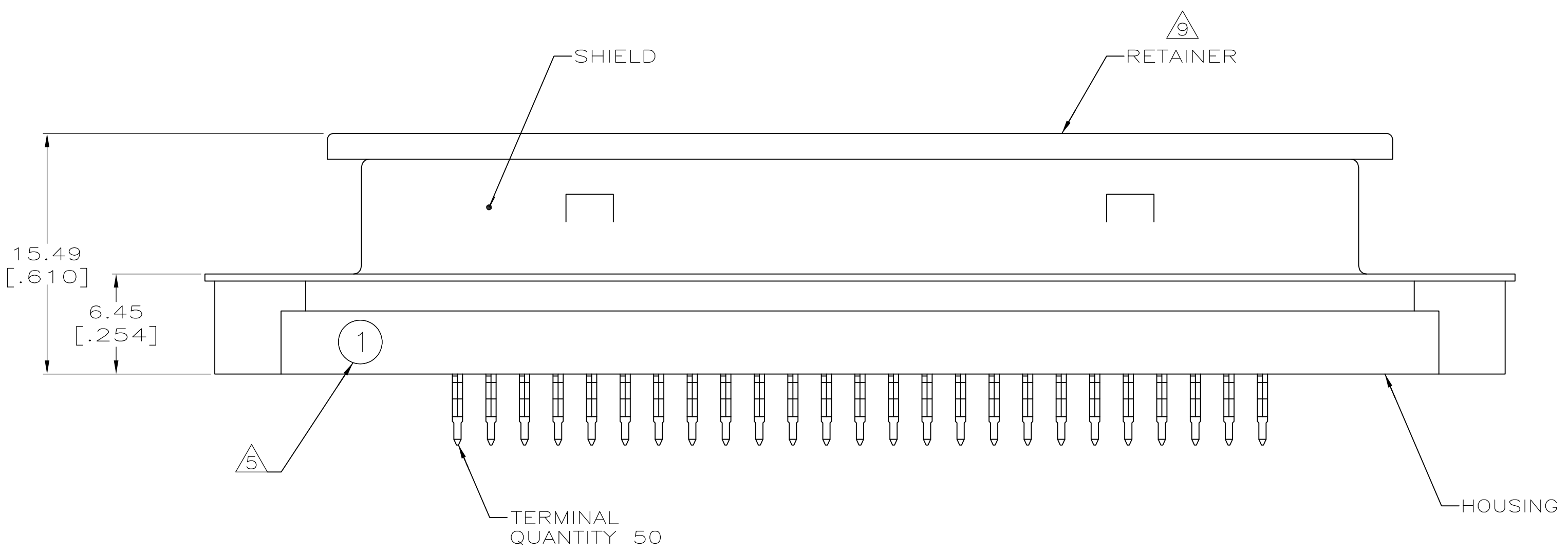
Tel: +86-755-8981 8866 Fax: +86-755-8427 6832

Email & Skype: info@chipsmall.com Web: www.chipsmall.com

Address: A1208, Overseas Decoration Building, #122 Zhenhua RD., Futian, Shenzhen, China



LOC		DIST		REVISIONS			
P	LTR	DESCRIPTION	DATE	DN	APVD		
E	PER	ECO-12-012349	14MAR13	BL	AC		



PRINTED CIRCUIT BOARD MOUNTING DIMENSIONS

- 1. DIMENSIONS ARE MAXIMUM UNLESS OTHERWISE SPECIFIED.
- 2. MATERIAL: HOUSING - POLYESTER, BLACK. TERMINAL - COPPER ALLOY PLATED WITH 0.76µm [.000030] MINIMUM GOLD ON MATING SURFACE AND: 557984-1 - 0.13µm [.000005] MINIMUM GOLD ON ACTION PIN AREA. 557984-2 - 2.54µm [.000100] MINIMUM TIN-LEAD ON ACTION PIN AREA. OVER 1.27µm [.000050] MINIMUM NICKEL UNDERPLATE OVER ENTIRE TERMINAL. RETAINER - POLYETHYLENE, NATURAL. SHIELD - CARBON STEEL, PLATED BRIGHT NICKEL 5.08µm [.000200] MINIMUM.
- 3. THE CONTACT SURFACES OF THE TERMINALS ARE COATED WITH LUBRICANT.
- 4. OPTIONAL MOUNTING HOLE FOR SELF-TAPPING SCREW.
- 5. "1" ON HOUSING INDICATES LOCATION OF TERMINAL 1.
- 6. ALL PLATED-THRU HOLES SHALL BE PER AMP SPEC 115-6072.
- 7. 50 LBS. MINIMUM FORCE REQUIRED TO UNSEAT CONNECTOR FROM PRINTED CIRCUIT BOARD WITHOUT USE OF HARDWARE.
- 8. CENTER-TO-CENTER SPACING OF TERMINALS IS 2.16 [.085] NOMINAL.
- 9. RETAINER MUST REMAIN INSTALLED UNTIL AFTER CONNECTOR HAS BEEN INSERTED INTO PCB HOLES.

OBSOLETE	TIN-LEAD	557984-2
	GOLD	557984-1
	ACTION PIN PLATING	PART NUMBER

THIS DRAWING IS A CONTROLLED DOCUMENT.		DIN JOEL H. WOOTEN 14APR93		C.WHITT 22APR93	
DIMENSIONS: mm		TOLERANCES UNLESS OTHERWISE SPECIFIED:		NAME	
		0 PLC ± - 1 PLC ± - 2 PLC ± - 3 PLC ± - 4 PLC ± - ANGLES ± -		R. RAHERTY 26APR93	
MATERIAL		FINISH		PRODUCT SPEC	
				108-6019	
CUSTOMER DRAWING		SCALE 1:1		APPLICATION SPEC	
		SHEET 1 OF 1		114-6027	
		REV E		SIZE CAGE CODE DRAWING NO	
				A1 00779 C=557984	