



Chipsmall Limited consists of a professional team with an average of over 10 year of expertise in the distribution of electronic components. Based in Hongkong, we have already established firm and mutual-benefit business relationships with customers from,Europe,America and south Asia,supplying obsolete and hard-to-find components to meet their specific needs.

With the principle of “Quality Parts,Customers Priority,Honest Operation,and Considerate Service”,our business mainly focus on the distribution of electronic components. Line cards we deal with include Microchip,ALPS,ROHM,Xilinx,Pulse,ON,Everlight and Freescale. Main products comprise IC,Modules,Potentiometer,IC Socket,Relay,Connector.Our parts cover such applications as commercial,industrial, and automotives areas.

We are looking forward to setting up business relationship with you and hope to provide you with the best service and solution. Let us make a better world for our industry!



Contact us

Tel: +86-755-8981 8866 Fax: +86-755-8427 6832

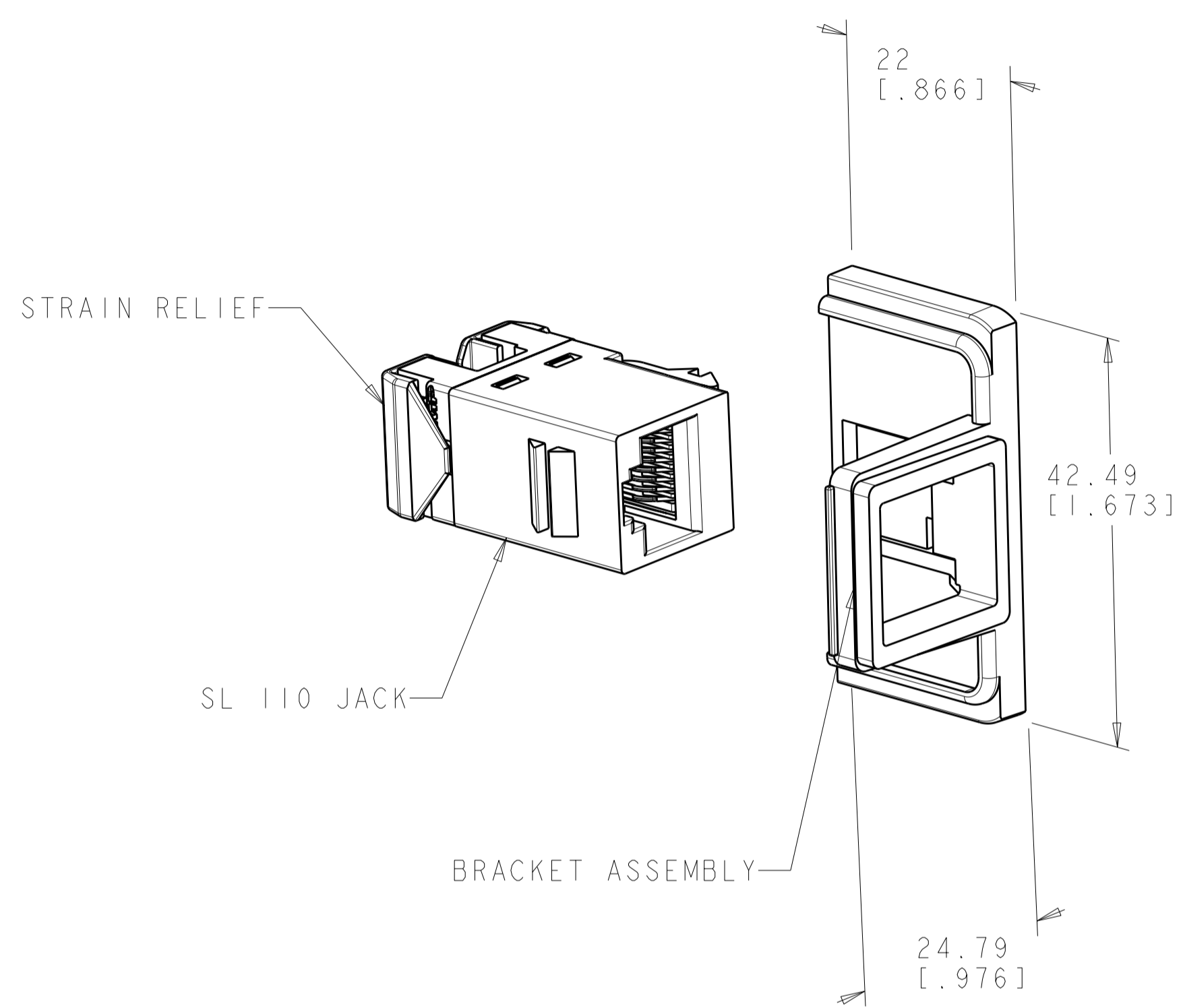
Email & Skype: info@chipsmall.com Web: www.chipsmall.com

Address: A1208, Overseas Decoration Building, #122 Zhenhua RD., Futian, Shenzhen, China

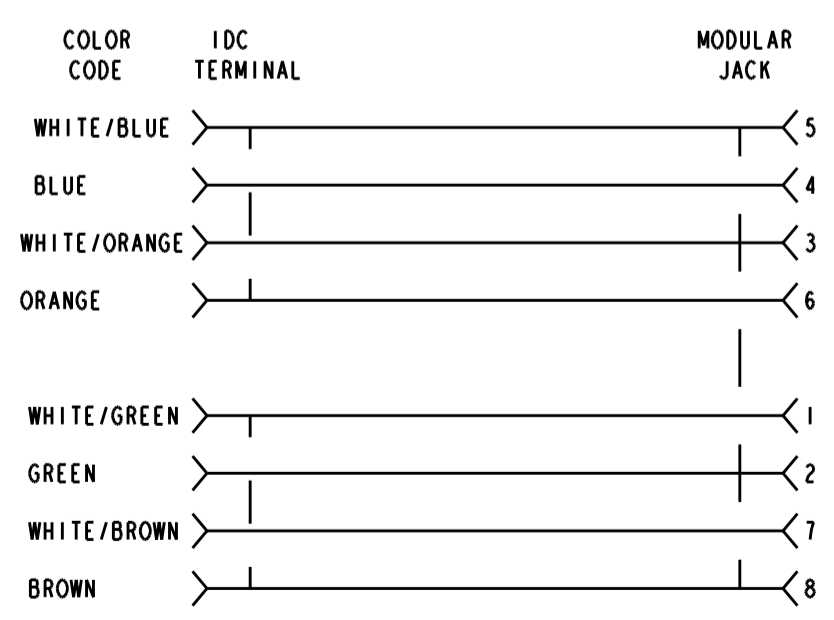


THIS DRAWING IS UNPUBLISHED. RELEASED FOR PUBLICATION 20
 © COPYRIGHT 20 BY TYCO ELECTRONICS CORPORATION. ALL RIGHTS RESERVED.

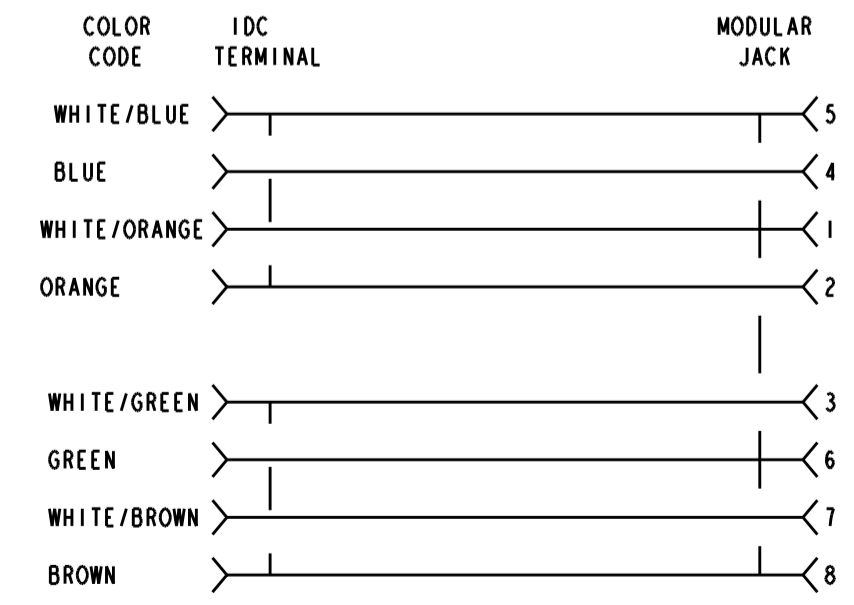
LOC	DIST	REVISIONS					
HM	00	P	LTR	DESCRIPTION	DATE	DWN	APVD
		B		REDWN, REV; EC 0B40-0016-03	10FEB03	GG	LS
		C		REV ECO-09-004514	23APR2009	LH	SJ
		D		REV; ECO-09-011567	15JULY2009	GG	SJ



- ⚠ MATERIAL:
 BRACKET - ABS, UL 94V-0 RATED.
 JACK HOUSING - POLYPHENYLENE OXIDE, UL 94V-0 RATED.
 110 BLOCKS AND STRAIN RELIEF - POLYCARBONATE.
 JACK CONTACTS ARRAY - GOLD OVER BERYLLIUM COPPER.
 IDC TERMINALS - TIN OVER PHOSPHOROUS BRONZE..
- 2. USE FOAM TAPE (INCLUDED) FOR FASTENING TO SURFACES.
- 3. THIS KIT SHIPPED NOT ASSEMBLED.
- ⚠ ALL DIMENSIONS SHOWN ARE NOMINAL.
- 5. APPLICATION: UNDERCARPET COMMUNICATIONS CABLING SYSTEM. USE WITH LOW PROFILE COMMUNICATIONS FLOOR FITTINGS.



ELECTRICAL SCHEMATIC
T568A



ELECTRICAL SCHEMATIC
T568B

THIS DRAWING IS A CONTROLLED DOCUMENT FOR TYCO ELECTRONICS CORPORATION. IT IS SUBJECT TO CHANGE AND THE CONTROLLING ENGINEERING ORGANIZATION SHOULD BE CONTACTED FOR THE LATEST REVISION.		DWN G. GARRETT 10FEB03	Tyco Electronics Harrisburg, PA 17105-3608	
DIMENSIONS: MM [INCHES]		CHK L. SIMPSON 10FEB03		
TOLERANCES UNLESS OTHERWISE SPECIFIED: 0 PLC ± 1 PLC ± 2 PLC ± 3 PLC ± 4 PLC ± ANGLES ± FINISH		APVD L. SIMPSON 10FEB03	NAME DATA KIT, SL 110 JACK, UNIVERSAL, CATEGORY 5E	
MATERIAL		PRODUCT SPEC	SIZE CAGE CODE DRAWING NO RESTRICTED TO	
CUSTOMER DRAWING		WEIGHT	A2 00779 C-558054	
SCALE 2:1		SHEET 1 OF 1		REV D